

### Blackout Series

#### Top-Bend FSBK3 & FSBK4



#### Features

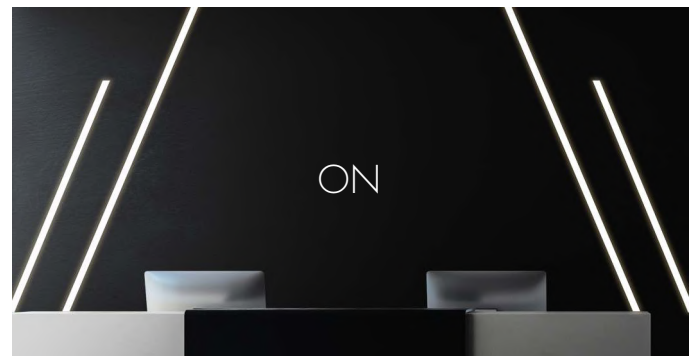
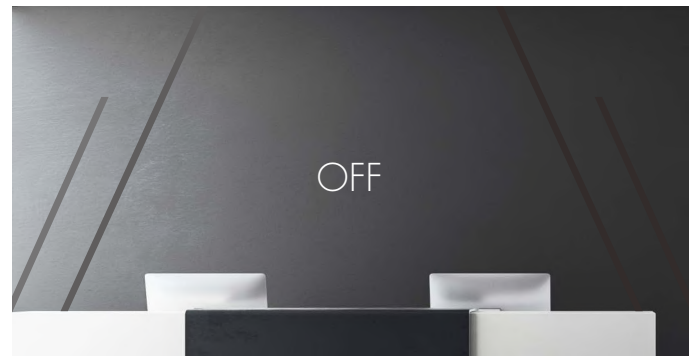
Our FSBK Blackout Series is perfect for projects with black materials and finishes. Three-sided black jacket with the option of a blackout lens. The plane profile allows installation for surface mounting or flush mounting applications. Uniform, dot-free and smooth lighting performance in continuous runs up to 16.4 feet [5M]. On-site cutting and assembly options available. Customized length with overall appearance in the same size by die-casting process.

Dimmable available with PWM signal. Environmentally-friendly, high grade appearance, soft bend flexibility, strong impact resistant and high weather resistance using high-quality silicone material.

The FSBK Series has a 50,000h LED lifespan with a 5 year warranty and UL & CE approval.

#### Application

Decoration for showcase, advertising, display board.  
 Lighting for hotel, garden, bridge.  
 Corridor, ceiling, stair, path way.  
 Signage, architecture lighting.



## General Parameters

Product No.	Style	Dimension	Max. Run Length	Min. Unit (L1)	LED Type	LED QTY	IP&IK Rating	Operating Ambient	Lifespan	Warranty
FSBK3-T	Top-Bend 3-Sided Black Jacket	W16*H16mm [W0.63*H0.63in.]	16.4' [5M]	Free-cutting to be any length	SMD 2835	120LED/M [36LED/ft.]	IP67 [Wet] & IK06	Ta: -20~45°C [-4~113°F]	50,000h (L70@ Tc≤65°C[149°F], Tc is the temp. of LED pin.)	5 years
FSBK4-T	Top-Bend 4-Sided Black Jacket									

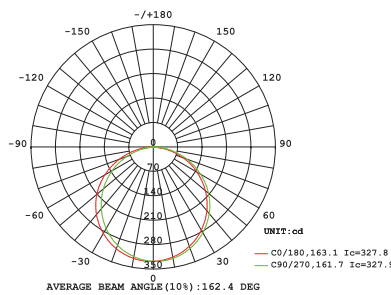
## Photoelectric Parameters

Product No.	Style	Power (Max.)	Operating Voltage	Finished Product CCT/ Wavelength	CRI80 4000K		CRI90 4000K		Beam Angle
					Luminous Flux±10%	Luminous Flux±10%	Luminous Flux±10%	Luminous Flux±10%	
FSBK3-T	Top-Bend 3-Sided Black Jacket	14W/M [4.3W/ft.]	24VDC	2700K±120K 3000K±150K 3500K±300K 4000K±300K 5000K±400K 6000K±500K	910lm/M [277lm/ft.]	65lm/W	770lm/M [235lm/ft.]	55lm/W	120°
FSBK4-T	Top-Bend 4-Sided Black Jacket			2700K±120K 3000K±150K 4000K±300K	126lm/M [38lm/ft.]	9lm/W	106lm/M [32lm/ft.]	7.6lm/W	

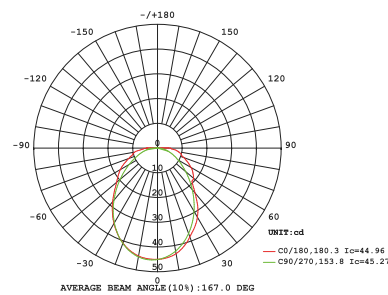
### Note:

- (1) Luminous flux for CCT 2700K is 10% lower, for CCT 3000K / 3500K is 5% lower, for CCT 5000K / 6500K is the same (versus 4000K).
- (2) The Max. Length (La) is defined as power fed on one side.
- (3) The power of the strip need to be reduced to 9W/M[2.74W/ft.]@White for operating ambient temperature in -20~55°C[-4~131°F].

## Light Distribution Diagram



FSBK3-T, 4000K CRI80



FSBK4-T, 4000K CRI80

### Ordering Information

Example: FSBK4-T-40-CU-24

Part No.	BEND		Color Temp		Length		Voltage	
	<b>FSBK3</b>	<b>T</b>	TOP	<b>27</b>	2700k	<b>16</b> <b>CU</b>	16.4'	<b>24</b>
<b>FSBK4</b>			<b>30</b>	3000k	Custom Length**			
			<b>35*</b>	3500k				
			<b>40</b>	4000k				
			<b>50*</b>	5000k				
		<b>65*</b>	6500k					

**NOTES:**

\*3500K, 5000K, and 6500K are not available with blackout lens option

\*\*For Custom Length Selection, Orders can take 4-6 weeks for Processing and Delivery\*

\*\*\*Indicate factory or field cut for power feed

### Accessories

**AL-FSBK-RPF**

Rear Power Feed

**AL-FSBK-SPF**

Side Power Feed

**AL-FSBK-BPF**

Bottom Power Feed

**AL-FSBK-MCLIPS**

Mounting Clips (2 pieces)

**AL-FSBK-MBRKT**

Flat Mounting Bracket (2 pieces)

**AL-FSBK-ALSCH**

Aluminum Rigid Channel (39" Section)

**AL-FSBK-ALFDBCH**

Flexible Channel (1" Sections, 39" Total)

### Recommended Power Supplies

Dimmable with 0-10v, ELV, MLV, TRIAC



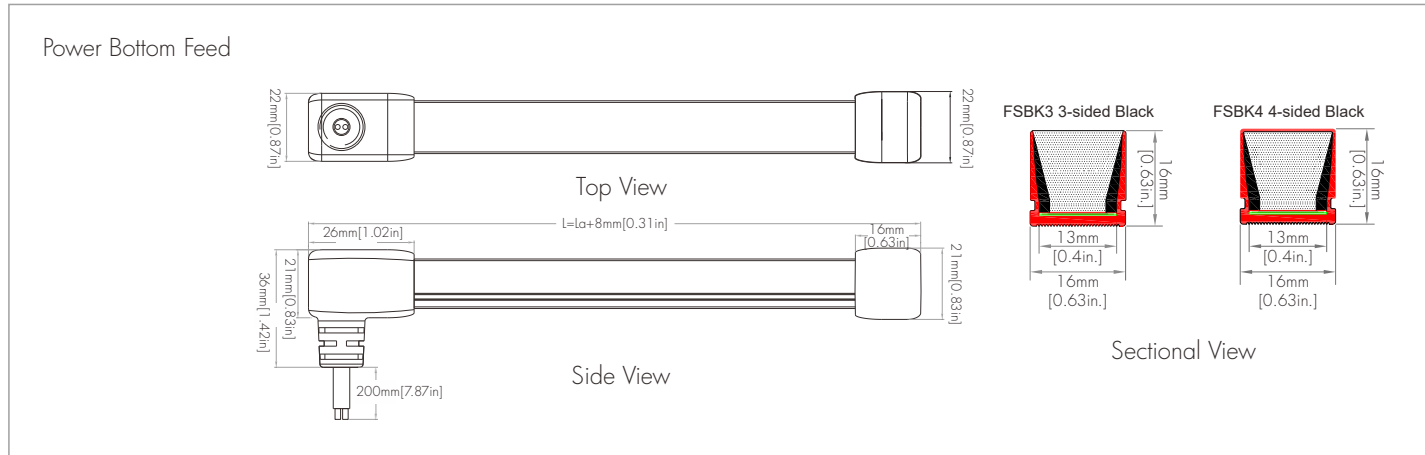
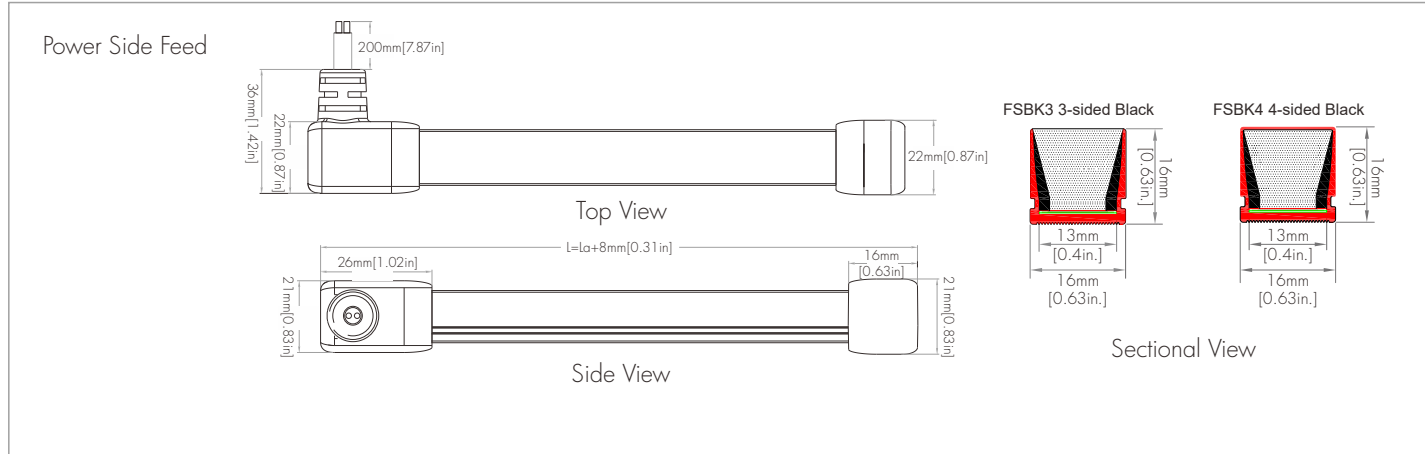
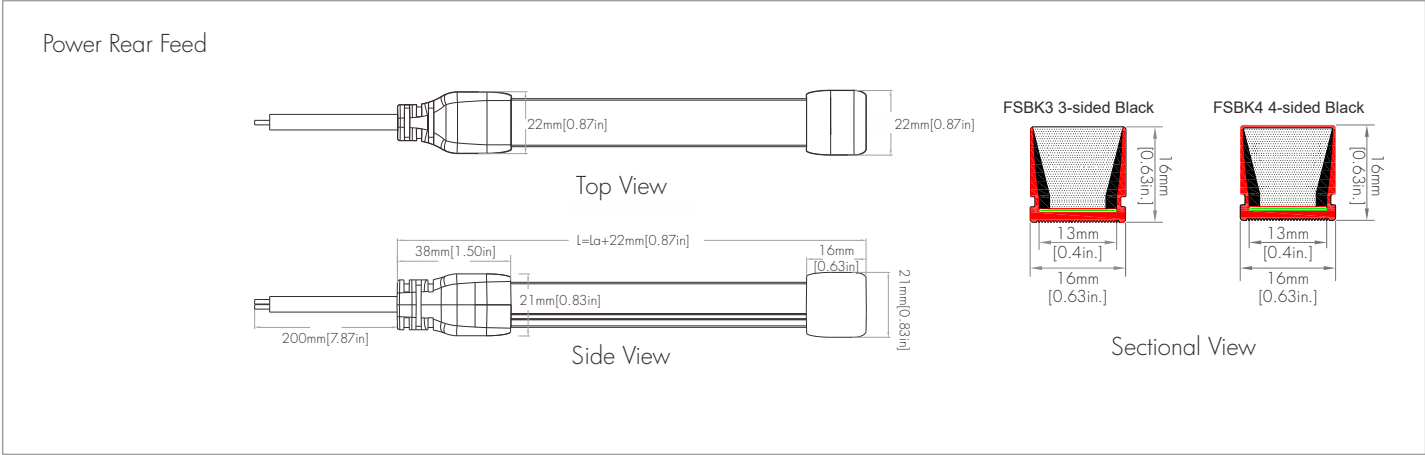
Item Number	Description	Max/Min Load	Input Voltage	Output Voltage	Dimmable	Dimensions
PS-TSLC-UNV-24V-30WDHV2	30W	30W / 3W	100-277V AC	24V DC	Yes*	6.49"L x 3.6"W x 1.02"H
PS-TSLC-UNV-24V-60WDHV2	60W	60W / 6W	100-277V AC	24V DC	Yes*	7.4"L x 3.6"W x 1.02"H
PS-TSLC-UNV-24V-96WDHV2	96W	96W / 9.6W	100-277V AC	24V DC	Yes*	8.66"L x 3.6"W x 1.61"H
PS-TSLC-UNV-24V-288WDHV2	288W (3 x 96W)	288W / 28.8W	100-277V AC	24V DC	Yes*	11.85"L x 4.25"W x 1.8"H

# LED Neon Strip

## Diagram

Endcap sealed by gluing process

L: Total length  
 Lb: Illumination surface length  
 N: Number like 1, 2, 3...  
 La: Length of LED strip light  
 L1: Increment

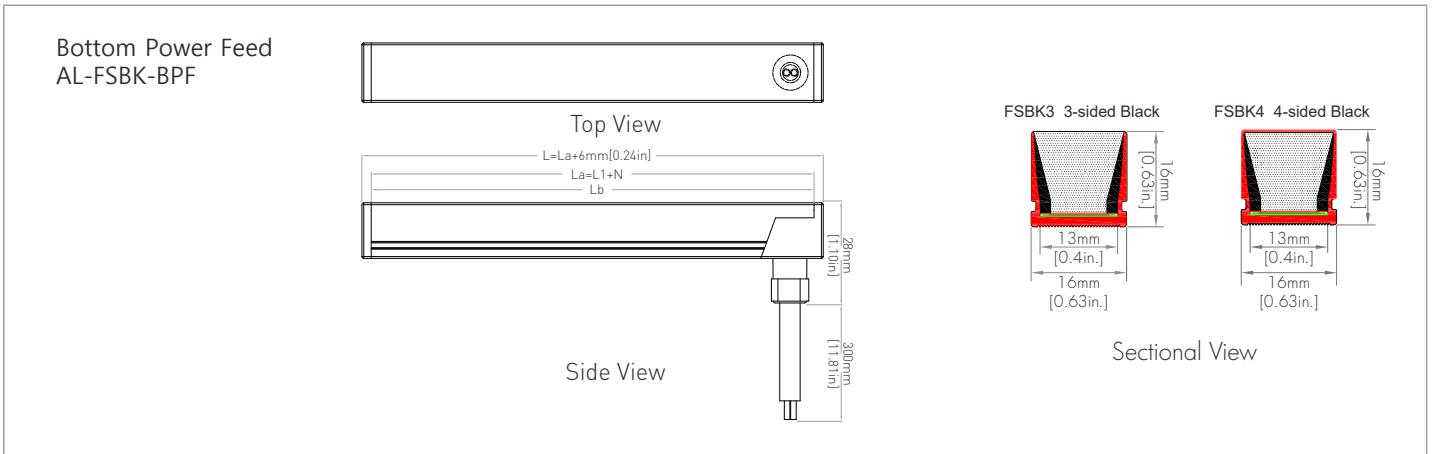
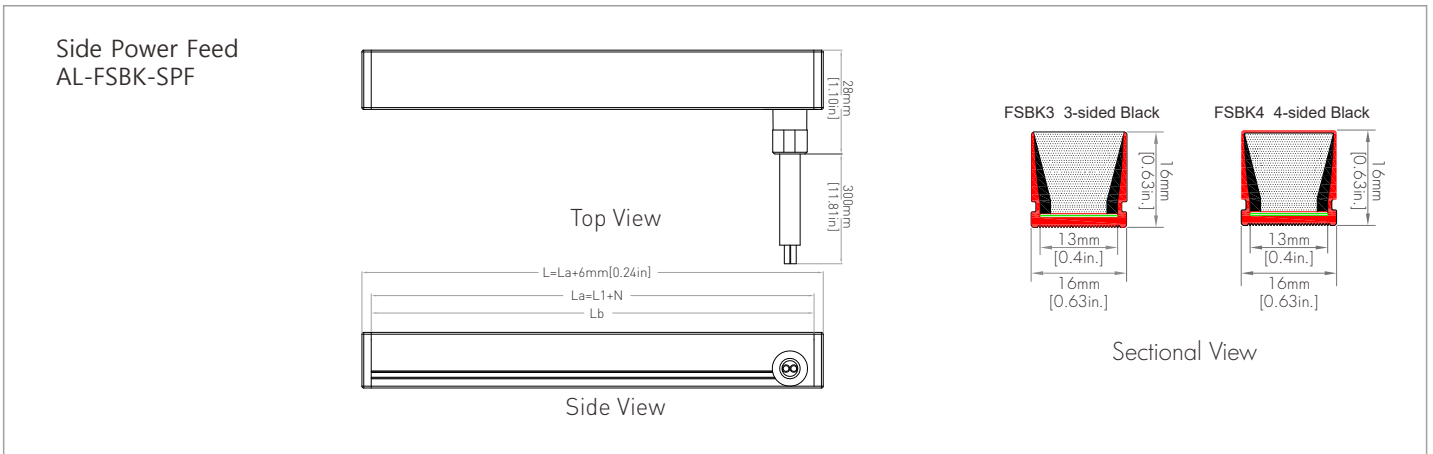
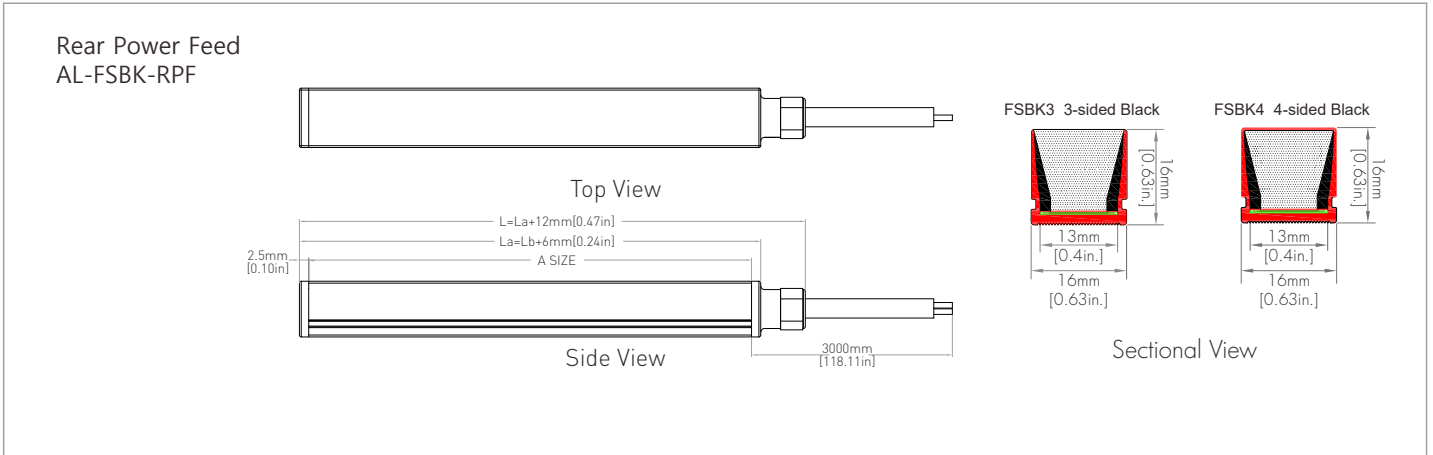


# LED Neon Strip

## Diagram

Endcap sealed by die-casting process

L: Total length  
 Lb: Illumination surface length  
 N: Number like 1, 2, 3...  
 La: Length of LED strip light  
 L1: Increment



## Installation

Fixed by clip and screw  
AL-FSBK-MCLIPS

Fixed by bracket and screw  
AL-FSBK-MBKT

Groove size is shown as below

Fixed by aluminum profile and screw  
AL-FSBK-ALSCH

Groove size is shown as below

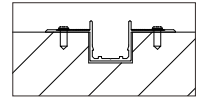
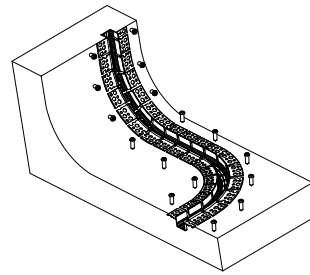
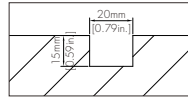
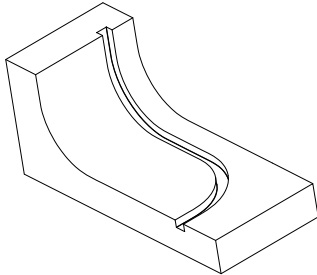
Fixed by bendable bracket and screw  
AL-FSBK-ALFDBCH

Groove size is shown as below

Note: It also supports flush mounting into groove by gluing process.

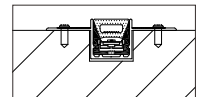
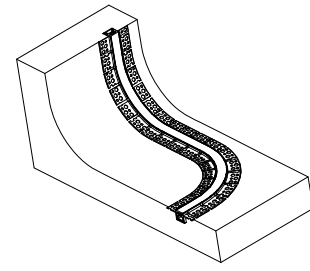
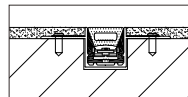
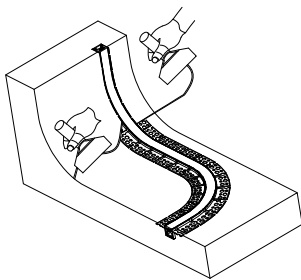
## Installation

Fixed by dual-bend plaster-in aluminum profile and screw  
 (The bending method of the profile during use should be determined based on the bending method of the neon strip.)



Make a groove with the size of W20\*H15mm[W0.79\*H0.59in.] on the mounting surface.

Fix the dual-bend plaster-in aluminum profile to the groove by screw.



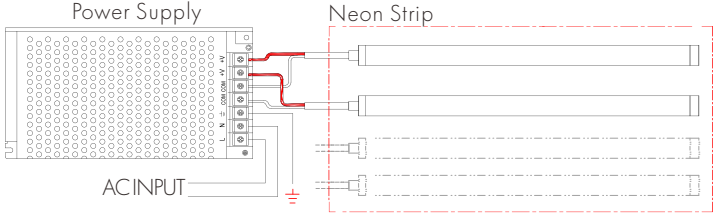
In addition to the neon strip, the areas on both sides of the illuminated surface should be plastered and dried before completion.

Press the neon strip into the dual-bend plaster-in aluminum profile.

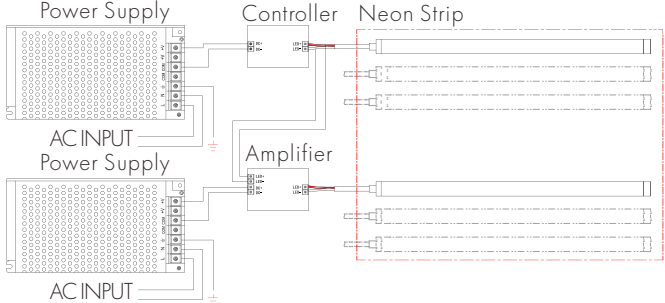
*Attention: Aluminum profile can not be used in swimming pool.*

## Connection

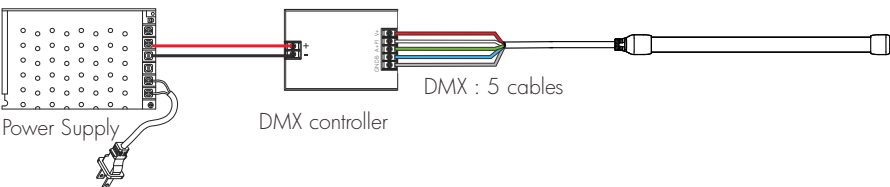
Non-Dimming Status for White Color



Dimming Status for White Color

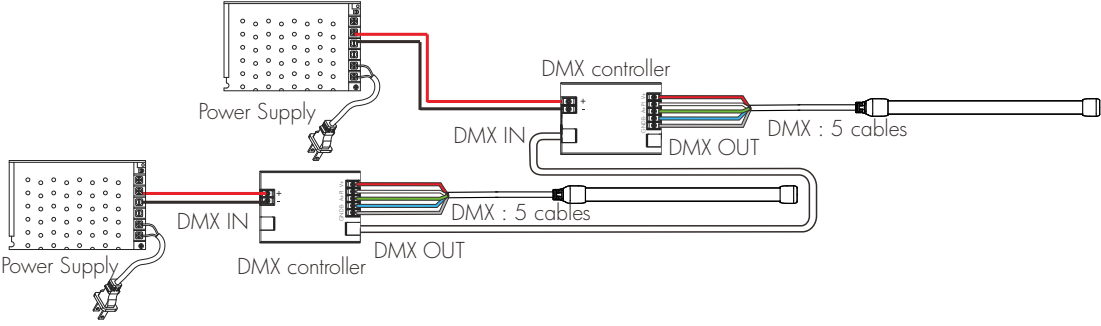


Dimming and tuning status for DMX RGBW (option 1)



DMX Wiring  
 Red Cable: +24V  
 Black Cable: GND  
 Green Cable: A  
 Blue Cable: B  
 White Cable: PI

Dimming and tuning status for DMX RGBW (option 2)



DMX Wiring  
 Red Cable: +24V  
 Black Cable: GND  
 Green Cable: A  
 Blue Cable: B  
 White Cable: PI

Important notice for wiring: the linkable connection must be form DI/PI to Do/PO strictly following the arrow printing on connector, it cannot be made by reverse connection, otherwise the product will experience failure.