

### High-Efficacy Premium Series

195lm/W CRI90

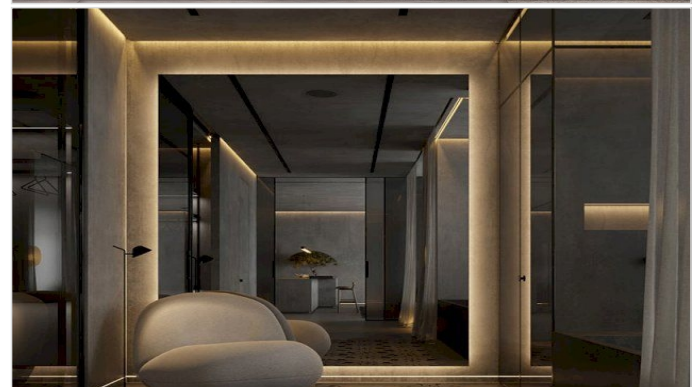


### Features

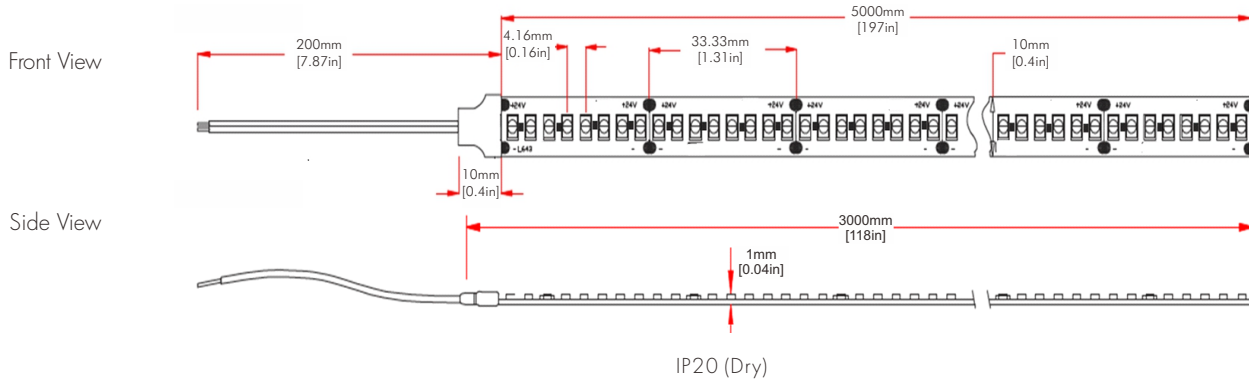
The HEPS Series is a flexible, efficient, highly customizable LED strip. At 6.6 watts per foot and 195 lumens per watt, the HEPS boasts both high efficacy and high CRI with 8 LEDs per section, creating high output with half of the standard power consumption. The HEPS offers maximum customization with multiple channel options and a segment length of 1.92". Standard color temperatures and various IP ratings available. UL and CE with a 5 year warranty.

### Application

The HEPS is engineered for indirect lighting in showcases, shelving, cabinetry, billboards, signage, hotels, gardens, bridges, corridors, ceilings, stairways, coves, theatres, elevators, and suitable for countless other applications.



## Picture & Diagram



## Specification

Part No.	Dimension (L*W*H)	IP Rating	Lumen Flux±10% @CRI80&4000K	Light Eff. @CRI80&4000K	Lumen Flux±10% @CRI90&4000K	Light Eff. @CRI90&4000K	Lumen Flux±10% @CRI95&4000K	Light Eff. @CRI95&4000K
HEPS-L643S	5000*10*1mm [197*0.4*0.04in.]	IP20[dry]	\	\	4210lm/M [1284lm/ft.]	195lm/W	\	\
HEPS-L643S	5000*10*1.5mm [197*0.4*0.06in.]	IP54/IP54 Thin [damp]	\	\	4210*90%lm/M [1284*90%lm/ft.]	195*90%lm/W	\	\
HEPS-L643S	5000*10*5mm [197*0.4*0.2in.]	IP54 Plus [damp]	\	\	4210*95%lm/M [1284*95%lm/ft.]	195*95%lm/W	\	\

Notice: (1) The lumen flux value above is base on 1M[3.28ft.] length, it need to be measured and considered separately for other longer lengths.  
 (2) Energy efficiency class of regulation (EU) 2019/2020 is C (CRI90) for 4000K in IP20, it varies depending on CRI, CCT and IP rating.

General Parameters		Photoelectric Parameters	
Standard Length	5M [16.4ft] (power fed on one side)	Power±10%	21.6W/M [6.6W/ft.]
Min. Unit & LED QTY	33.33mm [1.31in.] & 8 LEDs	Input Voltage	24VDC
LED Type	SMD2835 white	LED Current	30mA/LED
LED QTY	240LED/M [73LED/ft.]	LED CCT & Wavelength	2700K&3000K&3500K&4000K&5000K&6500K
PCB Type	3oz white FPC, OSP	SDCM	ErP & ANSI Norm, 3 step
Operating Ambient	Ta(working): -20~45°C[-4~113°F] & Tstg(storage): -20~60°C[-4~140°F]	CRI	Ra≥90(Typ.=93, R9≥50)
Warranty	5 years	Beam Angle	120°
Lifespan	L70≥50,000h@Tc≤65°C [149°F] (Tc is temperature of LED pin)	Dimming Method	PWM (dimmable driver like RF, Bluetooth, 0/1-10V, Triac, DALI, DMX, WIFI etc.)
Certification	CE, UL, CB, SAA, RoHS, LM80		

- Note: 1: Luminous flux for CCT 2700K is 10% lower, for CCT 3000K/3500K/6500K is 5% lower, for CCT 5000K is 3% lower, compared with 4000K.  
 2: Transmittance for IP54/IP67/IP68, 2700K/3000K/3500K/4000K is 90%, 5000K/6500K is 80%; for IP65/IP54 Plus/IP67 Plus is 95%.  
 3: Dimension, CCT and lumen flux etc. of waterproof type will be different, compared with IP20 type.  
 4: Applying with extra heat sink is not necessary with self-cooling capacity.  
 5: 3M 300LSE yellow adhesive tape attached on backside, is standard configuration.  
 6: One end of 200mm[7.87in.] red/white silicon cable or waterproof connector kit according to specific IP rating, is standard configuration of Plus Series.  
 7: Transparent reel and silvery ESD bag, are standard configuration.  
 8: Installation accessories such as clip, screw, plug etc. are all optional base on specific demand.

## IP Rating & Coding



CODE	IP RATING	SKETCH MAP	FEATURE
N	IP20 DC L.V. Series Dry Location		Non-Waterproof
L	IP54 Thin DC L.V. Series Damp Location		Silicone Spraying/Nano Coating Process Anti Splash Water Small Size Change Semi-Seal
C	IP54 DC L.V. Series Damp Location		Silicone Dripping Process Anti Splash Water Small Size Change Semi-Seal
A	IP65 DC L.V. Series Wet Location		Silicone Tube Process Anti Spray Water Tiny Color Shift Full-Seal
B	IP67 DC L.V. Series Wet Location		Silicone Pouring Process Immerse In Water For Short Time (depth ≤ 1 meter & less than 30 minutes) Full-Seal
E	IP68 DC L.V. Series Wet Location		Silicone Injection Process Immerse In Water For Long Time (depth ≤ 1 meter & within the warranty period) Full-Seal
K	IP54 Plus DC L.V. Series Damp Location		Silicone Extrusion Process Anti Splash Water Small Size Change Tiny Color Shift Semi-Seal
H	IP67 Plus Thin DC L.V. Series Wet Location		Silicone Extrusion Process Immerse In Water For Short Time (depth ≤ 1 meter & less than 30 minutes) Small Size Change, Tiny Color Shift Full-Seal
H	IP67 Plus DC L.V. Series Wet Location		Silicone Extrusion Process Immerse In Water For Short Time (depth ≤ 1 meter & less than 30 minutes) Tiny Color Shift Full-Seal

### Ordering Information

MODEL	COLOR	LENGTH	IP	VOLTAGE				
<b>HEPS-L643S</b>	<b>27K</b>	2700K	<b>16.4</b>	16.4' Reel	<b>20</b> <b>54</b> <b>54P</b>	IP20 IP54 IP54 plus	<b>24V</b>	24 Volt DC
	<b>30K</b>	3000K						
	<b>35K</b>	3500K	<b>CU</b>	Custom Length				
	<b>40K</b>	4000K						
	<b>50K</b>	5000K						
<b>65K</b>	6500K							

### Accessories

**FS-HEPS-L643S-WL** Wire lead connector for static white strip

**FS-HEPS-L643S-JC** Jumper cable connector static white strip

**FS-HEPS-L643S-SSC** Strip to strip connector for static white strip



### Recommended Power Supplies

Dimmable with 0-10v, ELV, MLV, TRIAC



Item Number	Description	Max/Min Load	Input Voltage	Output Voltage	Dimmable	Dimensions
PS-TSLC-UNV-24V-30WDHV2	30W	30W / 3W	100-277V AC	24V DC	Yes*	6.49"L x 3.6"W x 1.02"H
PS-TSLC-UNV-24V-60WDHV2	60W	60W / 6W	100-277V AC	24V DC	Yes*	7.4"L x 3.6"W x 1.02"H
PS-TSLC-UNV-24V-96WDHV2	96W	96W / 9.6W	100-277V AC	24V DC	Yes*	8.66"L x 3.6"W x 1.61"H
PS-TSLC-UNV-24V-288WDHV2	288W (3 x 96W)	288W / 28.8W	100-277V AC	24V DC	Yes*	11.85"L x 4.25"W x 1.8"H