

# SmartRail Modular Handrail System



**949-346-3456**

[www.thesmartlightingcompany.com](http://www.thesmartlightingcompany.com)  
[sales@thesmartlightingcompany.com](mailto:sales@thesmartlightingcompany.com)

SRV1-04.24

# The SmartRail Modular Handrail System

- SmartRail is customized based on your project requirements and is optimized for new or retrofit applications.
- Modular systems: parts are shipped and assembled onsite with detailed installation instructions to build your railing system.
- SmartRail is shipped in 16'4" lengths and cut in the field to size.
- LEDs are made with a UL listed, high-quality silicone to ensure: their impact and weather resistance, that they produce a strong output that does not yellow over time, and they maintain their flexibility.
- Installation should only be performed by a handrail installer or skilled contractor. Once installation is completed, the electrician can make the connection to the power supplies.



# SmartRail System Types

## Round, 316 Stainless Steel



## Square, 316 Stainless Steel

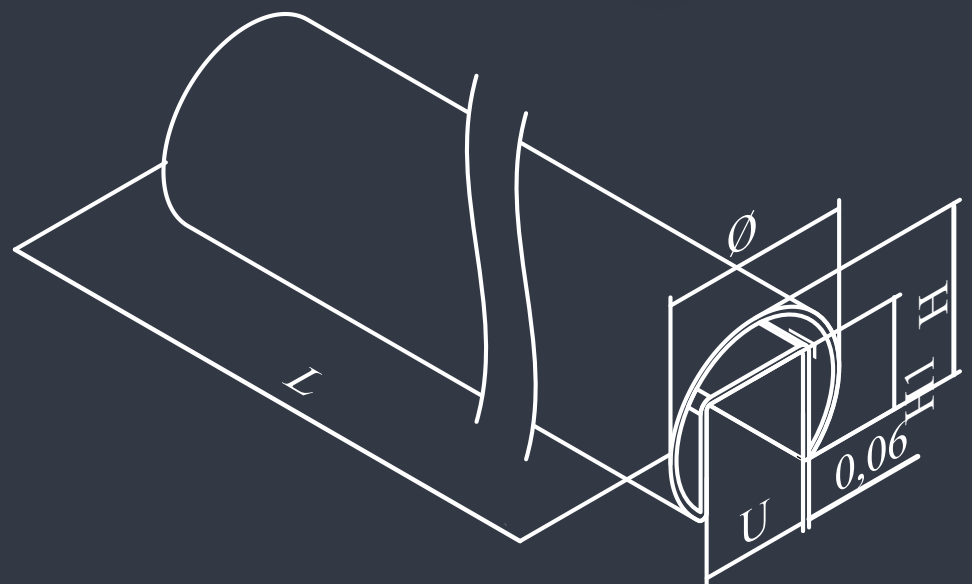


## Rectangle, Aluminum



# Round SmartRail Mounting Styles

- Cap rail available for 1.9" and 1.66" diameter
- Wall or post mounted (Round or Square posts).
- Many options for creating your rail such as adjustable angles, wall returns, and end caps.
  - Post mount – Embedded
  - Post mount – Surface
  - Post mount – Flange
  - Wall mount
  - Glass mount



# Round Rail options

## Handrail Mounting and Bracket options



Adjustable Post Mount



Fixed Post Mount

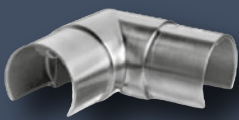


Wall Mount Bracket

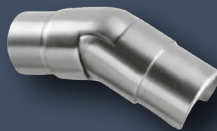


Glass Mount Bracket

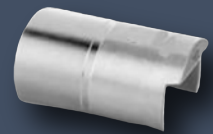
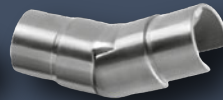
## Corner and Stairway options



90° Connectors



Adjustable Connectors for Stairs



Tube to Cap Rail Connectors

## End and Return options



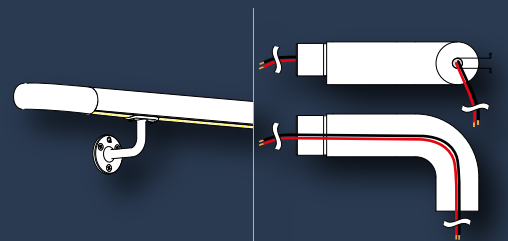
End Fitting

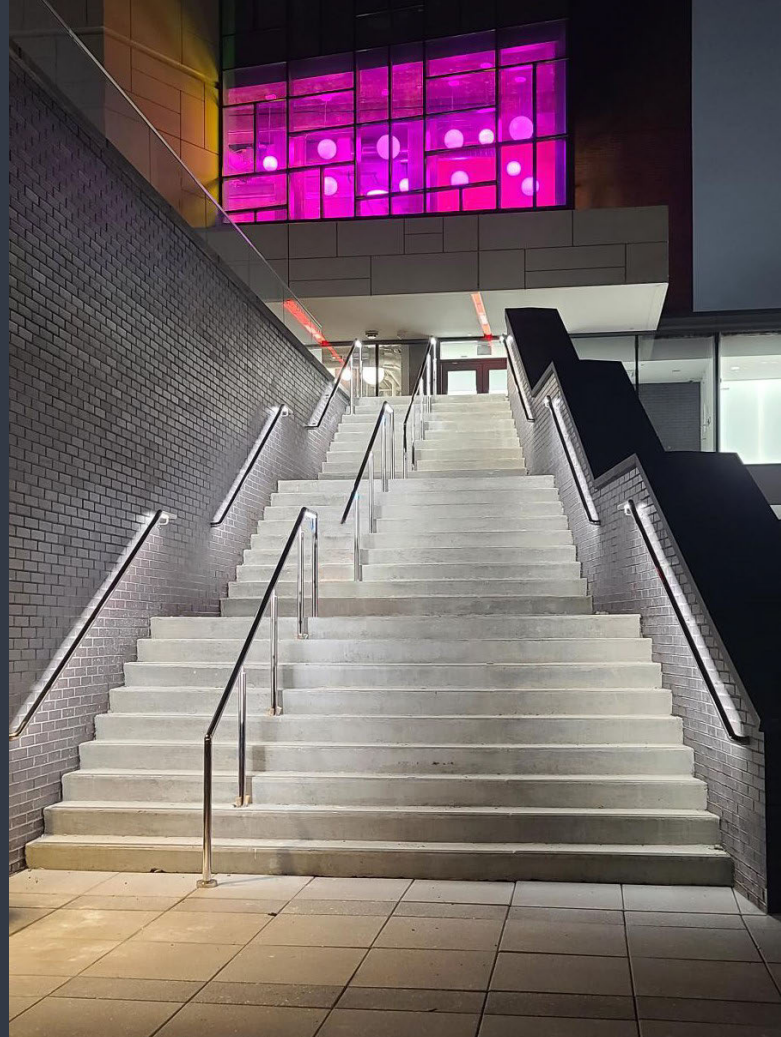


End Cap



Wall Return



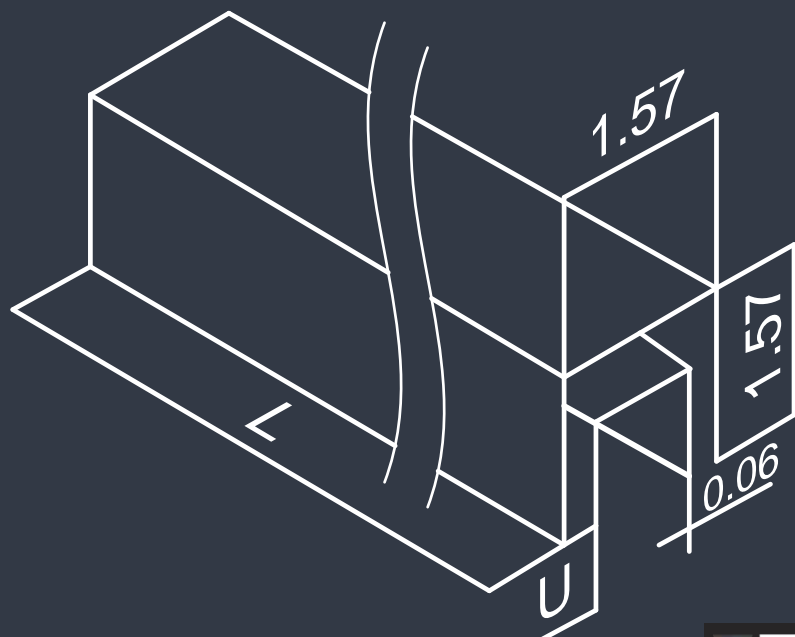
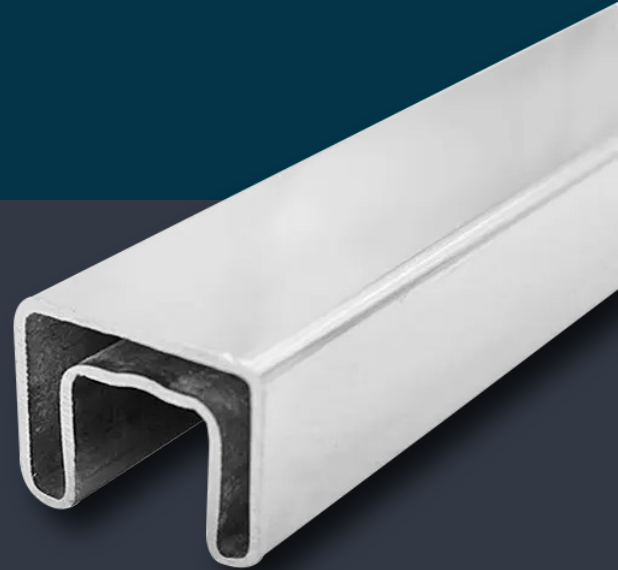


# Round SmartRail Applications



# Square SmartRail Mounting Styles

- Cap rail available in 1.57" x 1.57" diameter
- Wall or post mounted (round or square posts).
- Many options available for creating your rail such as adjustable angles, wall returns, and end caps.
  - Post mount – Embedded
  - Post mount – Surface
  - Post mount – Flange
  - Wall mount
  - Glass mount



# Square rail options

## Handrail Mounting and Bracket options



Adjustable Post Mount

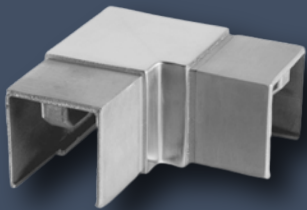


Fixed Post Mount

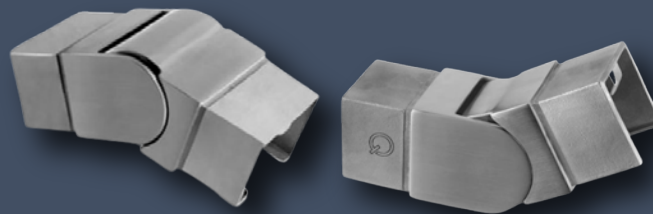


Post Mount Bracket

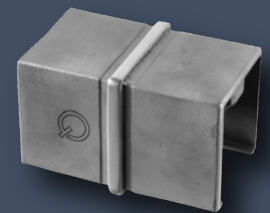
## Corner and Stairway options



90° Connectors



Adjustable Connectors for Stairs

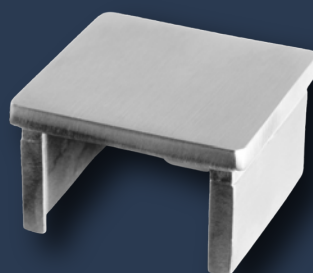


Tube to Cap Rail Connectors

## End and Return options



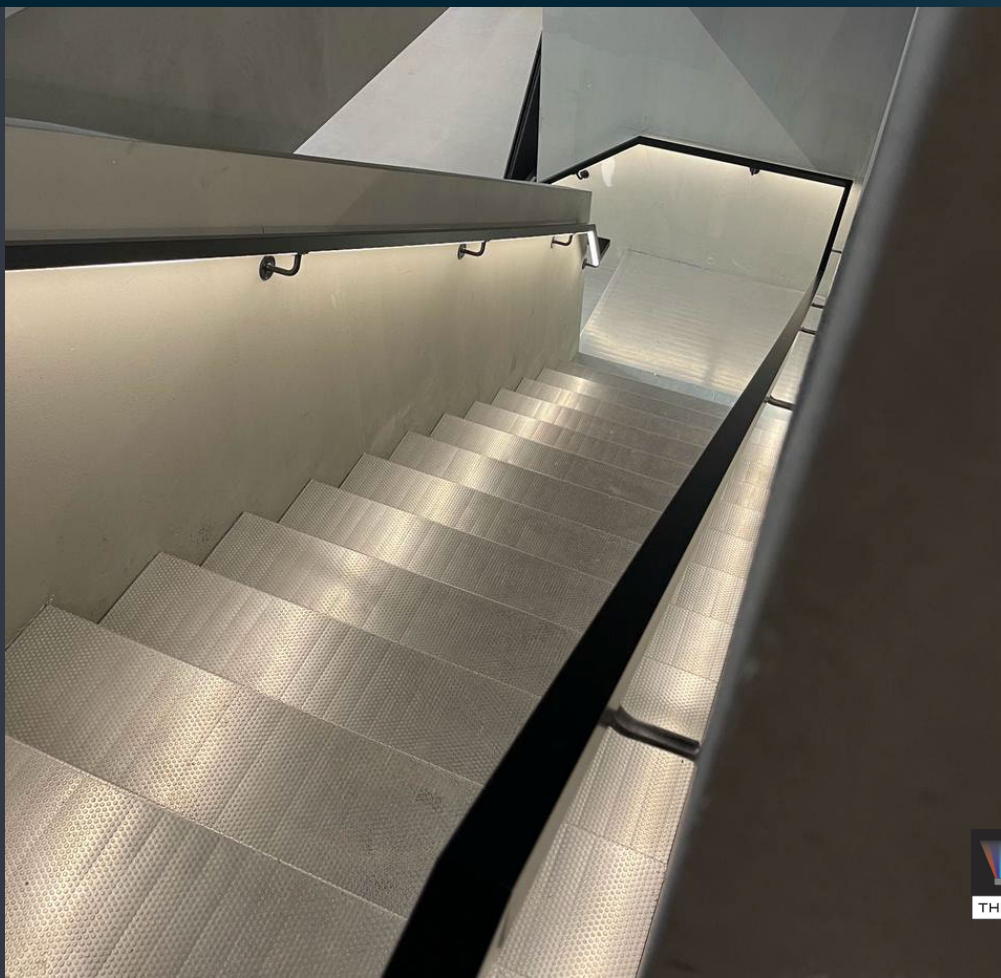
End Fitting



End Cap

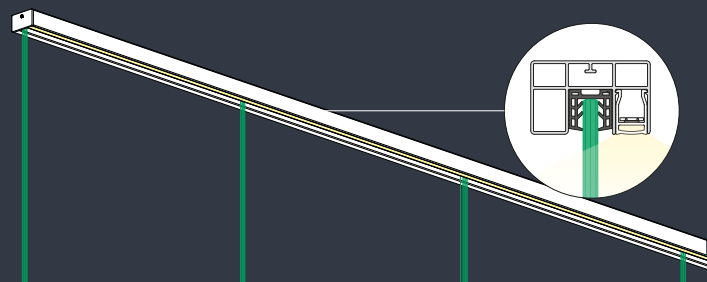
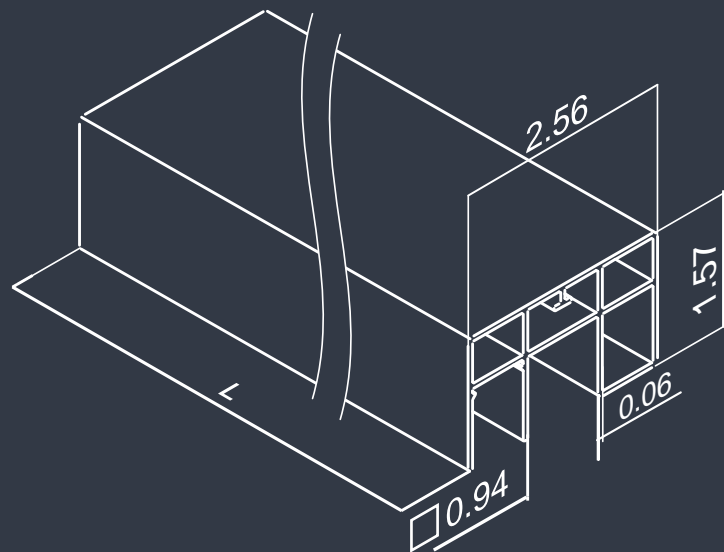


# Square SmartRail Applications



# Rectangle SmartRail Mounting Styles

- Cap rail available in 2.56"x1.57" diameter
- Glass mounted only (glass by others)
- Many different components available for creating your unique and customized rail system





# SmartRail Infill Options

## Cable infill



## Bar infill



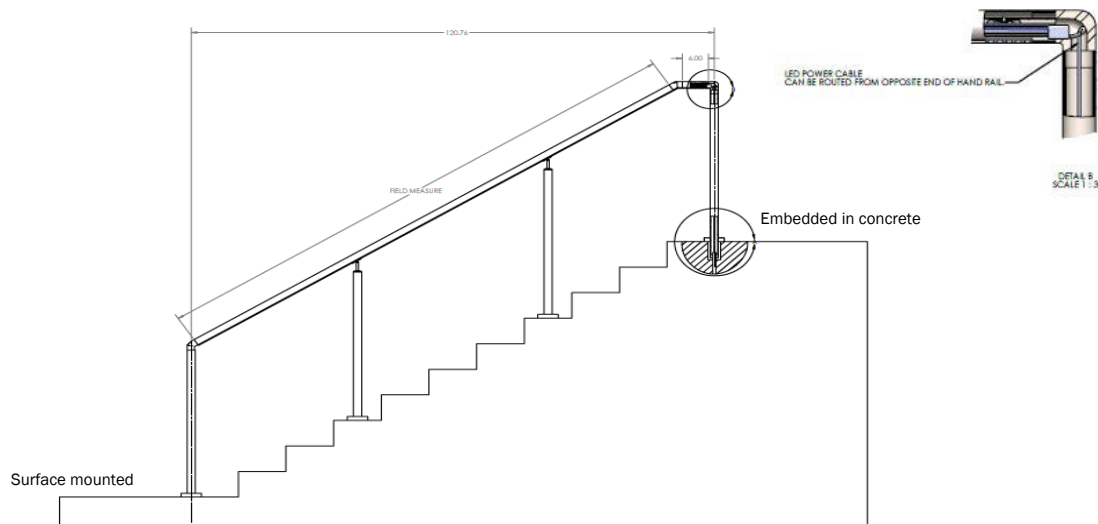
## Glass clamps for glass infill



# SmartRail Technical Drawings

Upon ordering, we create drawings for your specific project showing each section with all the parts; we make sure you know how to put it together! Our customized installation instructions ensure easy and accurate field installation.

## POST MOUNTED STAIRWAY EXAMPLE



## WALL MOUNTED STAIRWAY EXAMPLE

