

# MLB-EL70U

INGROUND LANDSCAPE LIGHT  
 5w | 346lm - 8w | 507lm



## MOTORIZED RETRACTABLE LIGHT

Wall Washing | Accent Lighting

Imagine a world where your landscape lights rise at dusk to beautifully illuminate your pathways, gardens, or architecture—then disappear by dawn, leaving no visual clutter.

Introducing the first-ever motorized retractable landscape light, engineered for both form and function. Perfect for landscape architects, lighting designers, and maintenance teams seeking innovation with elegance.

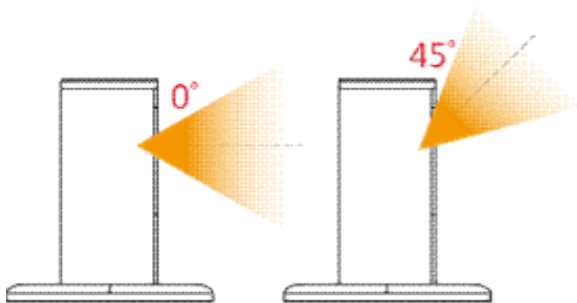
Our retractable motorized Landscape Light is perfect for pathway and area lighting. Single-sided upward light distribution with adjustable beam angles from 0-45 degrees and with multiple beam options. Multiple color temperatures are available. 4 levels of brightness are able to be selected when powered on.

When powered on, the fixture raises to max height and when powered off, fixture retracts to be flush with ground level.

Works with standard 12vac landscape transformer.

### Features:

- *Extruded aluminum housing & stainless steel*
- *Single-sided upward lighting*
- *Adjustable projection angle: 0° - 45°*
- *Beam Angle Options: 30°, 30x60°, 60° & 90°*
- *Polycarbonate clear Lens*
- *4 brightness levels available for adjustment*
- *IP66 waterproof*
- *Winter mode setting*
- *CCT Options : 2700K / 3000K / 4000K / 5000K*
- *5 Year Warranty*



|                |             |
|----------------|-------------|
| Diameter       | 2.8" x 2.8" |
| Raised Height  | 6"          |
| Wattage (Max.) | 5w/8w       |
| Input Voltage  | AC10-18V    |



# MLB-EL70U

## SPECIFICATIONS

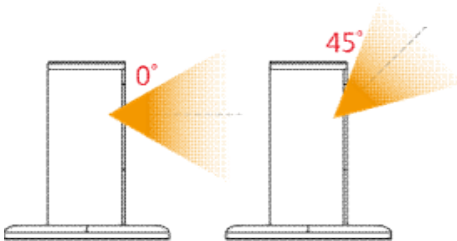
Date: .....

Type: .....

Project: .....

Firm: .....

MLB-EL70US- 5W - Single Sided Illumination with adjustable beam angle



| Physical                           |                                     |                      |
|------------------------------------|-------------------------------------|----------------------|
|                                    |                                     | MLB-EL70US-6-xxK-xxD |
| Light Fixture                      |                                     |                      |
| Material                           | Stainless Steel & Extruded Aluminum |                      |
| Finishing                          | Powder Coated Black                 |                      |
| Dimensions                         | 2.8" x 2.8" (70mm x 70mm)           |                      |
| Raised Height                      | 5.9" (150mm)                        |                      |
| Environment                        | IP66                                |                      |
| Lens                               | Polycarbonate Clear Lens            |                      |
| Fixture Base                       |                                     |                      |
| Material                           | Extruded Aluminum & PVC Pipe        |                      |
| Pipe Diameter                      | Ø5.5" (Ø140mm)                      |                      |
| Pipe Height                        | 11" (279mm)                         |                      |
| Installation Recommended Hole Size | Diameter                            | Ø7.9" (Ø200mm)       |
|                                    | Depth                               | 13" (330mm)          |

| Performance                 |  |
|-----------------------------|--|
| Color Temperature Options   | 2700K , 3000K , 4000K , 5000K                |
| Beam Angle Options          | 30° / 30°x60° / °60 / 90°                    |
| Adjustable Projection Angle | 0°~45°                                       |
| Lumen Output                | TBD  |
| Adjustable Brightness       | 4 brightness levels available for adjustment |
| Operating Temperature       | 0°C to +50°C, 32°F to 122°F                  |

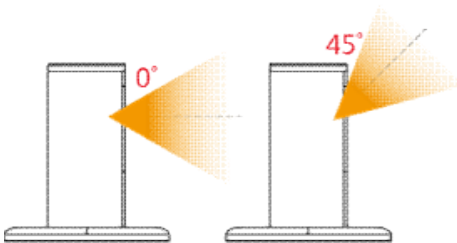
| Electrical  |          |
|---|----------|
| Input Voltage   | AC10-18V |
| Power Consumption   | 5w/pc.   |
| *The light consumes a maximum of 12W when it is rising up while powered on. |          |

# MLB-EL70U

## SPECIFICATIONS

Date: .....  
 Type: .....  
 Project: .....  
 Firm: .....

MLB-EL70UD- 8W - Single Sided Illumination with adjustable beam angle



| Physical                           |                                     |                |
|------------------------------------|-------------------------------------|----------------|
| MLB-EL70UD-6-xxK-xxD               |                                     |                |
| Light Fixture                      |                                     |                |
| Material                           | Stainless Steel & Extruded Aluminum |                |
| Finishing                          | Powder Coated Black                 |                |
| Dimensions                         | 2.8" x 2.8" (70mm x 70mm)           |                |
| Raised Height                      | 5.9" (150mm)                        |                |
| Environment                        | IP66                                |                |
| Lens                               | Polycarbonate Clear Lens            |                |
| Fixture Base                       |                                     |                |
| Material                           | Extruded Aluminum & PVC Pipe        |                |
| Pipe Diameter                      | Ø5.5" (Ø140mm)                      |                |
| Pipe Height                        | 11" (279mm)                         |                |
| Installation Recommended Hole Size | Diameter                            | Ø7.9" (Ø200mm) |
|                                    | Depth                               | 13" (330mm)    |

| Performance                 |  |
|-----------------------------|--|
| Color Temperature Options   | 2700K , 3000K , 4000K , 5000K                |
| Beam Angle Options          | 30° / 30°x60° / °60 / 90°                    |
| Adjustable Projection Angle | 0°~45°                                       |
| Lumen Output                | 507 lm @3000K 、 30°                          |
| Adjustable Brightness       | 4 brightness levels available for adjustment |
| Operating Temperature       | 0°C to +50°C, 32°F to 122°F                  |

| Electrical  |          |
|---|----------|
| Input Voltage   | AC10-18V |
| Power Consumption   | 8w/pc.   |
| *The light consumes a maximum of 12W when it is rising up while powered on. |          |

# MLB-EL70U

## ORDER FORM

Date: .....

Type: .....

Project: .....

Firm: .....

### CREATE YOUR FIXTURE

MLB-EL70UD-xx"-xxK-xxD

#### MODEL

|            |    |
|------------|----|
| MLB-EL70US | 5W |
| MLB-EL70UD | 8W |

#### RAISED HEIGHT

|    |          |
|----|----------|
| 6" | 6 inches |
|----|----------|

#### COLOR

|     |       |
|-----|-------|
| 27k | 2700k |
| 30k | 3000k |
| 40k | 4000k |
| 50k | 5000k |

#### OPTICS

|      |         |
|------|---------|
| 30   | 30°x30° |
| 60   | 60°x60° |
| 90   | 90°x90° |
| 3060 | 30°x60° |