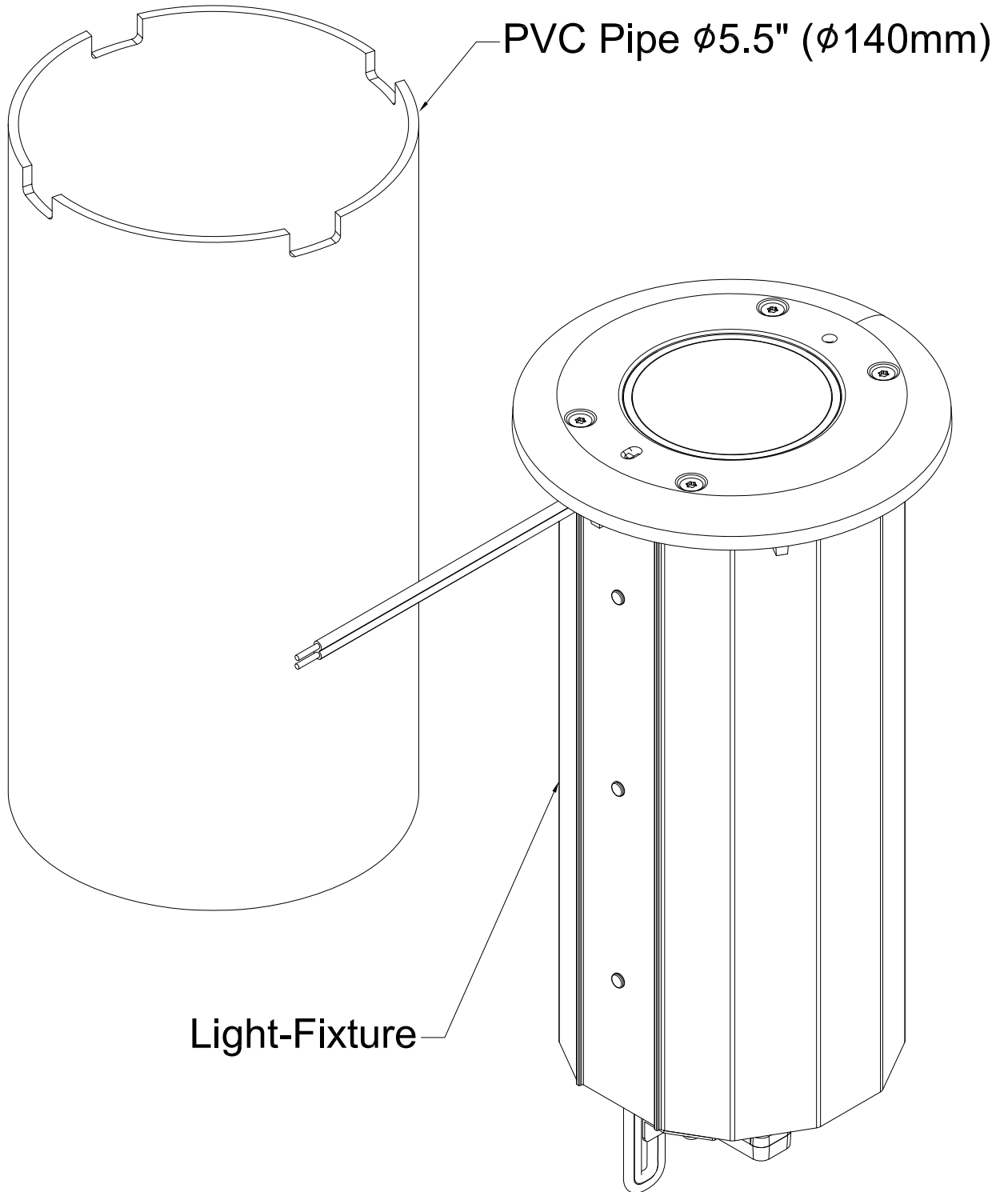




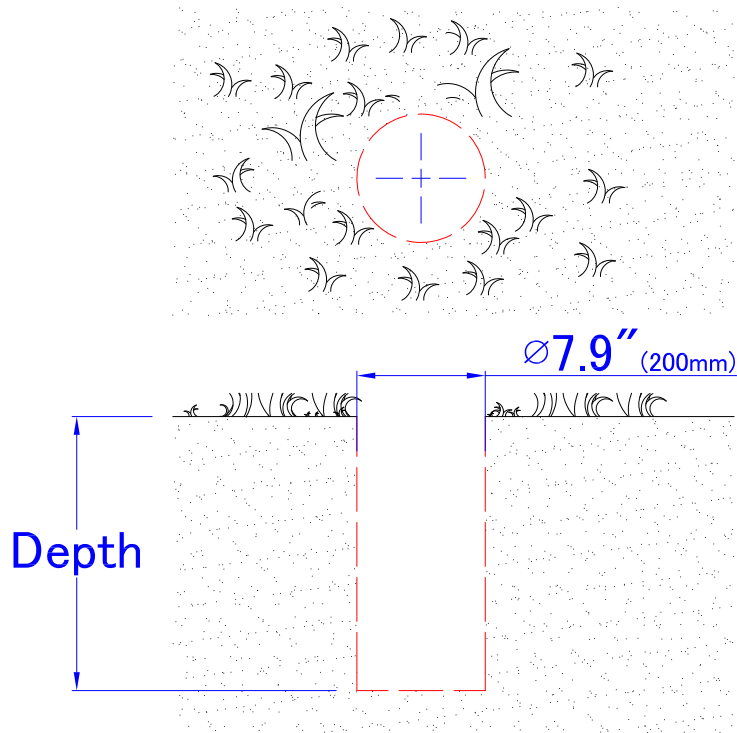
MLB-EL Series Retractable Landscape Light Installation

Parts



The Hole Size for Installation

Model	Recommended Hole Size for Installation	
	Opening Size	Depth
MLB-EL75DR-6-xxk-xxD	Ø7.9" (200mm)	Depth 13" (330mm)
MLB-EL75DR-12-xxk-xxD	Ø7.9" (200mm)	Depth 19" (483mm)
MLB-EL75DR-24-xxk-xxD	Ø7.9" (200mm)	Depth 31" (788mm)
MLB-EL70DS-6-xxk-xxD	Ø7.9" (200mm)	Depth 13" (330mm)
MLB-EL70DS-12-xxk-xxD	Ø7.9" (200mm)	Depth 19" (483mm)
MLB-EL70DS-24-xxk-xxD	Ø7.9" (200mm)	Depth 31" (788mm)
MLB-EL70DD-6-xxk-xxD	Ø7.9" (200mm)	Depth 13" (330mm)
MLB-EL70DD-12-xxk-xxD	Ø7.9" (200mm)	Depth 19" (483mm)
MLB-EL70DD-24-xxk-xxD	Ø7.9" (200mm)	Depth 31" (788mm)
MLB-EL70UD-6-xxk-xxD	Ø7.9" (200mm)	Depth 13" (330mm)
MLB-EL90US-6-xxk-xxD	Ø7.9" (200mm)	Depth 13" (330mm)



Installation Procedure

1. Digging the Hole

Excavate a hole at the chosen installation location. Please refer to the recommended sizes and depths for the hole on the previous page.

2. Laying a Gravel Layer

Place an approximately 2-inch layer of gravel at the bottom of the hole for water drainage and stability. Ensure that the gravel layer is flat and even.

3. Installing the PVC Pipe

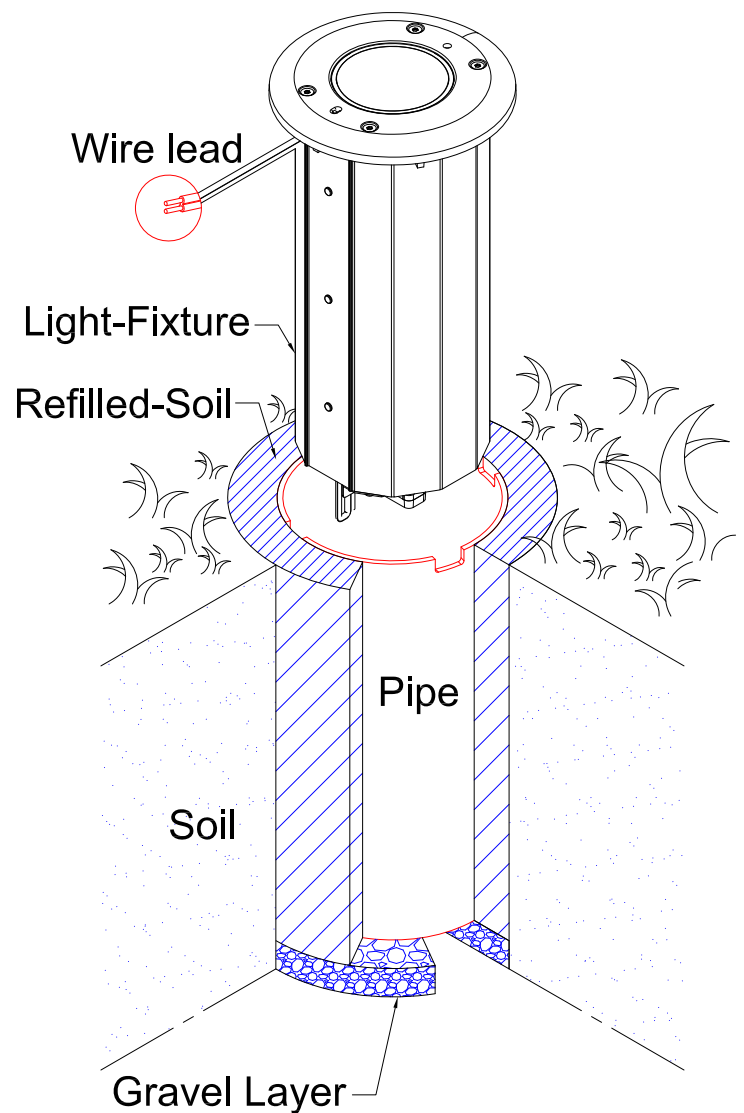
Place the PVC pipe in the center of the hole and refill the surrounding area with the excavated soil. Ensure the top edge of the pipe is level with the ground and properly centered within the hole. After filling, use a bubble spirit level to check the alignment, confirming that the pipe is installed evenly and horizontally.

4. Inserting the Light Fixture

Place the light fixture into the PVC pipe, pulling its wires out through the notch that is closer to the power cord.

5. Connecting the Power

Connect the wire leads from the luminaire to the power cord with waterproof connectors.



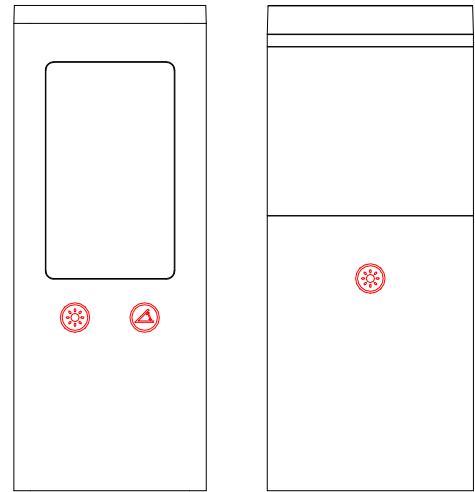
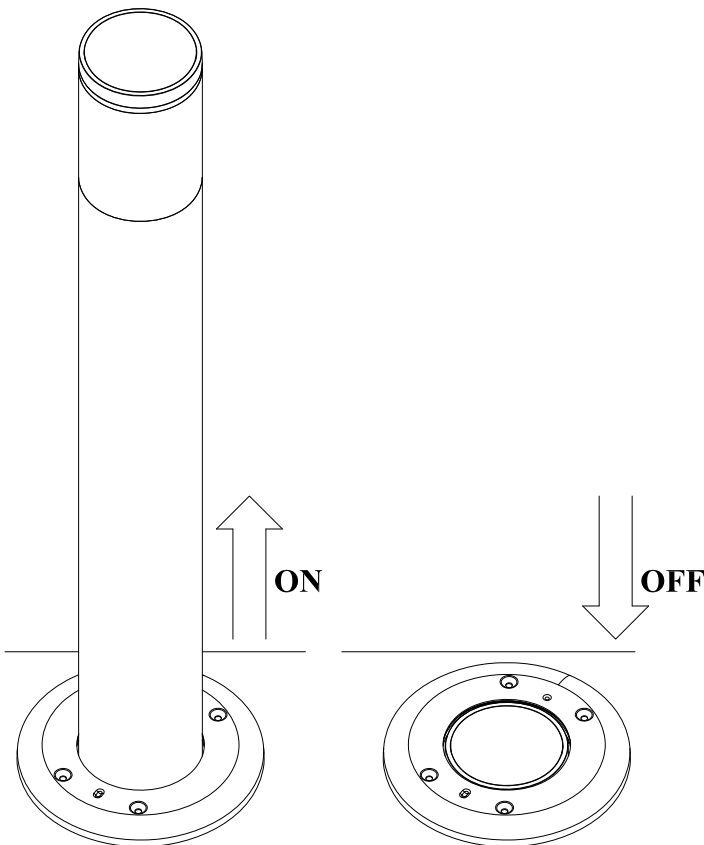
Operation

- Turn on the power

The light fixture will rise with a blinking light and will remain continuously on once it reaches the top position.

- Turn off the power

The light will turn off and retract into the ground.



Brightness Adjustment

Use the magnet to touch the designated spot to adjust brightness. Each time the magnet touches the spot, the brightness will increase by one level. Remove the magnet, and upon touching the spot again, the light will brighten another level, cycling through four brightness levels. Once a brightness level is selected, the fixture will remember this setting, so the next time you turn on the power, it will display the same brightness.



Projection Angle Adjustment

Use the magnet to touch the designated spot to adjust the projection angle. When the magnet touches the spot, the angle will start to tilt upward. Once it reaches the maximum angle, it will begin to tilt downward, and after reaching the lowest angle, it will tilt back up, continuously cycling. When you reach the desired angle, please remove the magnet. The fixture will remember the last set angle, so the next time you turn on the power, it will present this projection angle.

Troubleshooting

1. Light stops rising before reaching the top

Check if there's an obstruction above the fixture. If so, remove it. Then, turn off the power, ensure the light fully retracts, and turn the power back on. The fixture will rise to the top.

2. Light stops descending before reaching the bottom

Turn the power on, let the fixture rise fully, and wait 4 minutes. Turn the power off to see if it retracts fully. If it doesn't, remove the light fixture and check for blockages inside the PVC pipe. Remove any obstacles and repeat the process. If the issue persists, contact your supplier.

Settings for Snow Season

Measures to be taken during the snow season, in case the PVC pipe is obstructed by snow or ice, preventing the light fixture from descending smoothly.

1. Forcing the light to stay at the top position

Turn on the power and let the fixture rise to the top. Turn the power (off and on) four times, keeping the power on at the end. The light will blink four times, indicating the setting is successful. In this mode, the light will remain at the top and only respond to power on/off commands.

2. Canceling the forced top position mode

Turn on the power. Turn the power (off and on) twice, keeping the power on at the end. After 2 seconds, the light will blink twice, indicating normal mode is restored.