



# HB30PD

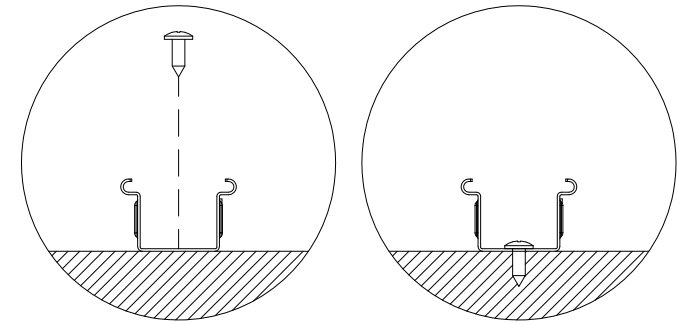
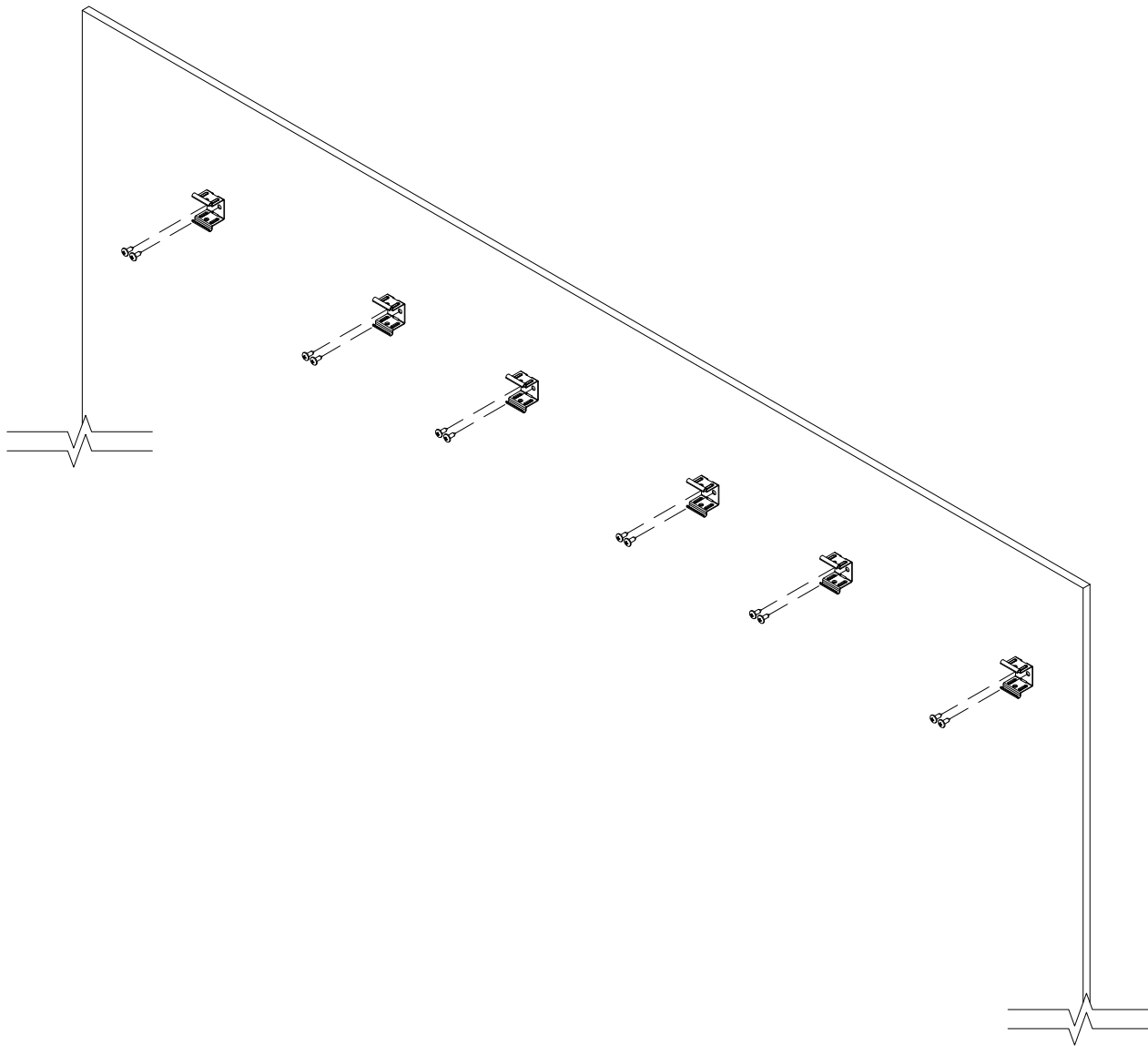
---

# Installation Guide

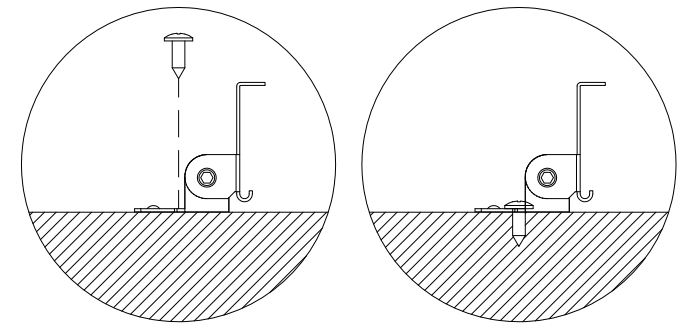
For more information visit us at...  
[thesmartlightingcompany.com](http://thesmartlightingcompany.com)

or call **949-346-3456**

1731 Kaiser Ave. Irvine, CA 92614

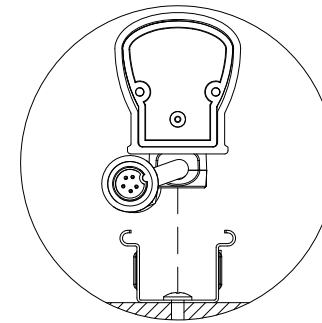
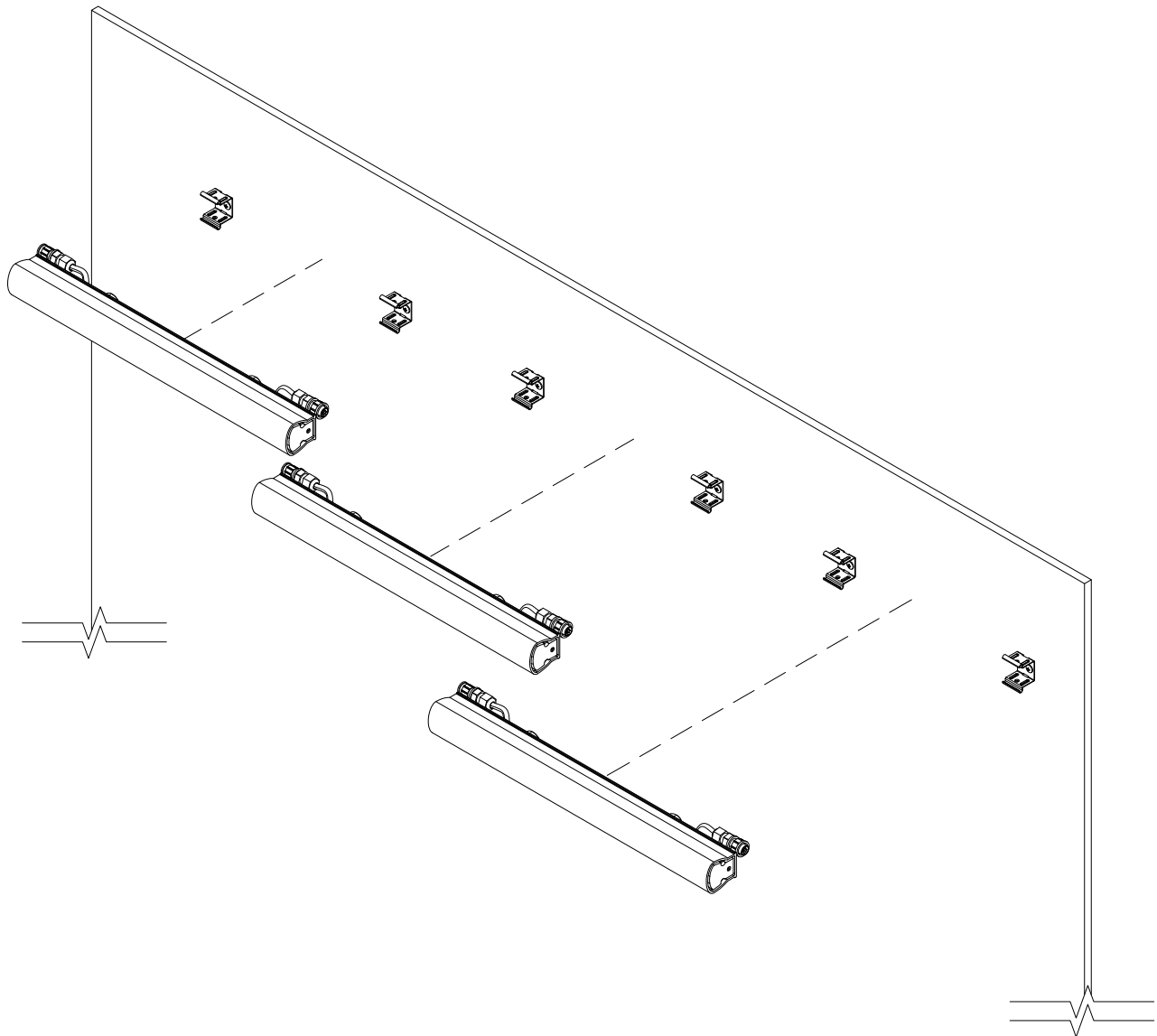


Flat bracket

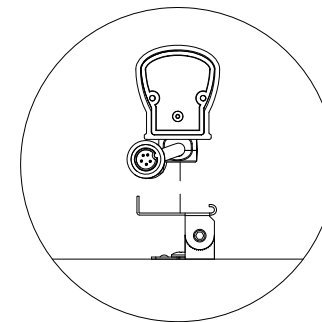


Adjustable bracket

Screw the brackets onto the mounting surface.

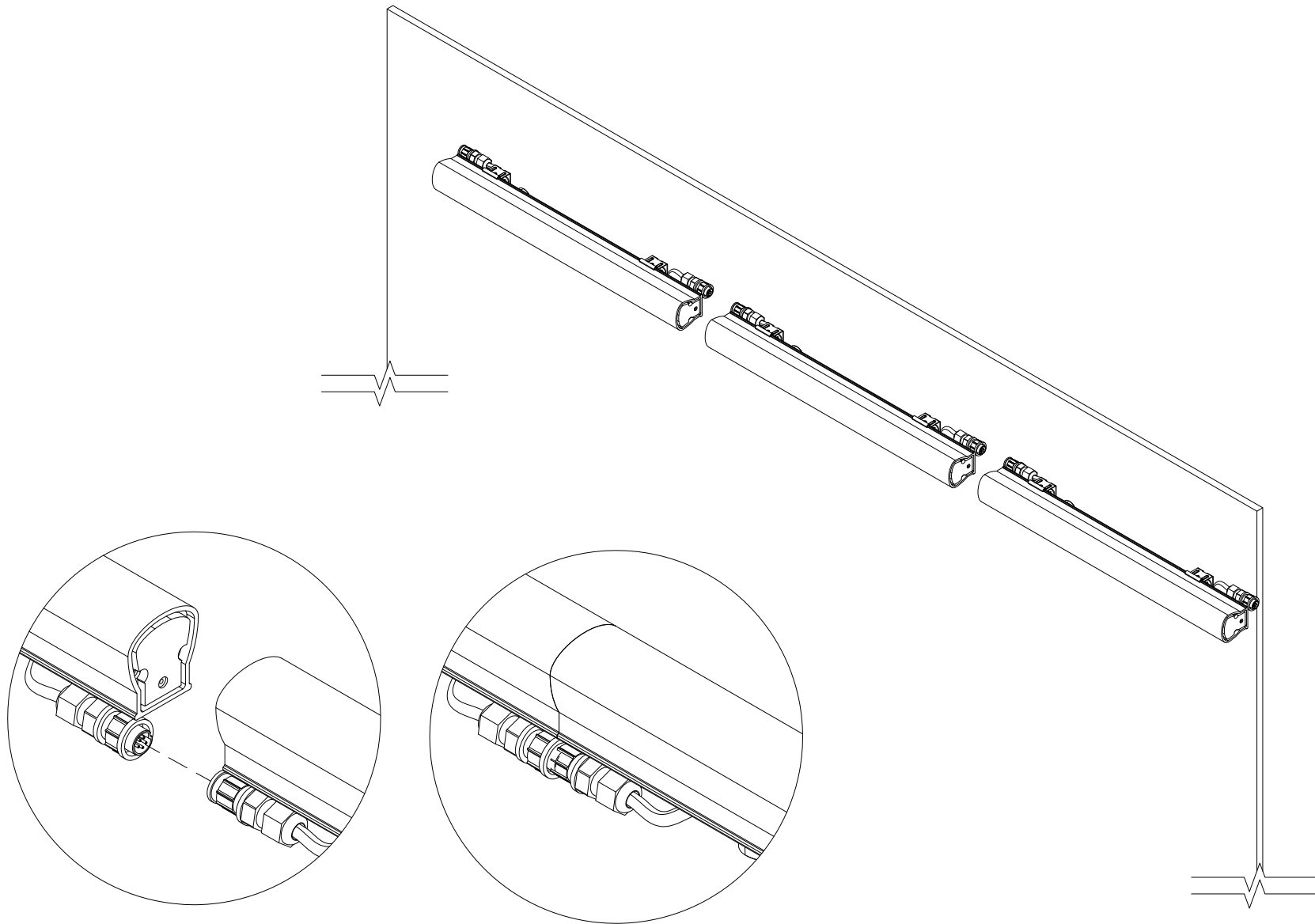


Flat bracket

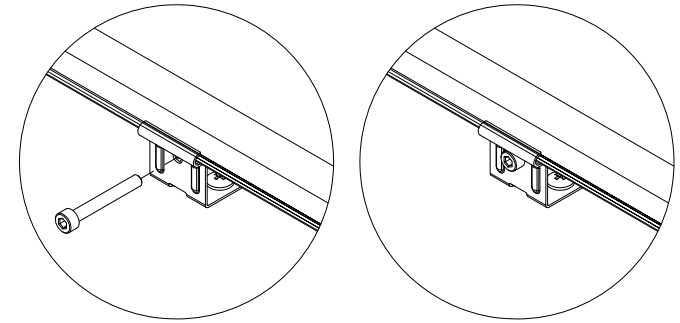
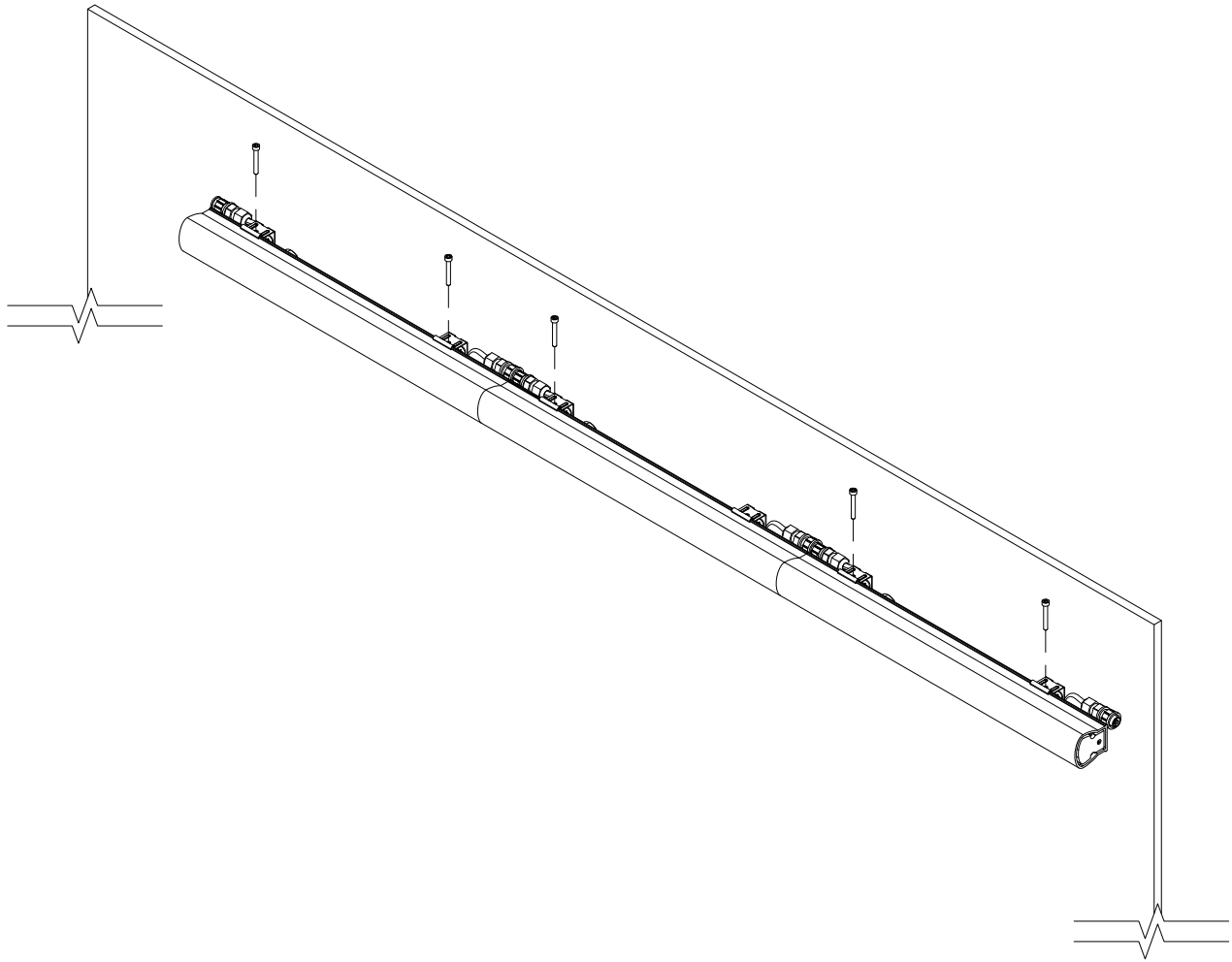


Adjustable bracket

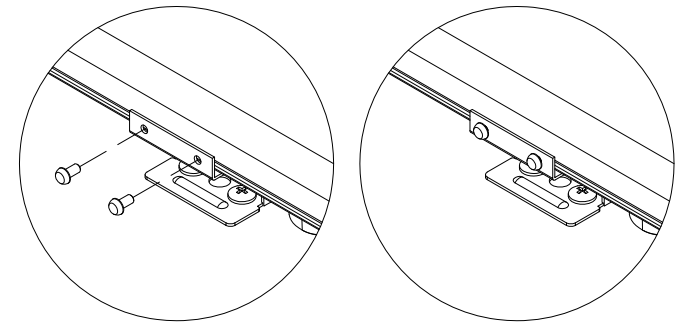
Snap the light fixture into the brackets.



Plug the connector to next light fixture.

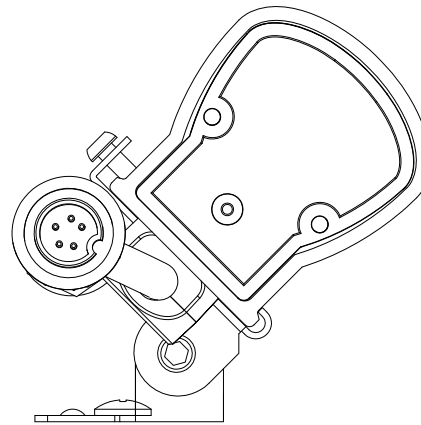
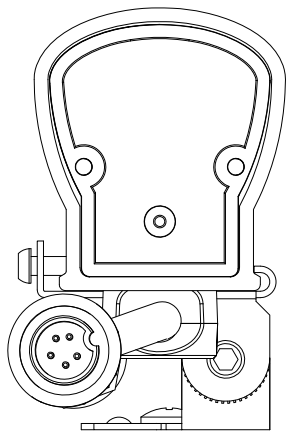


Flat bracket

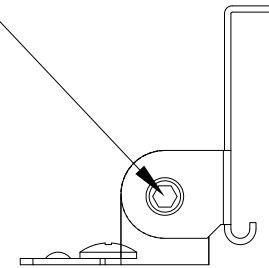


Adjustable bracket

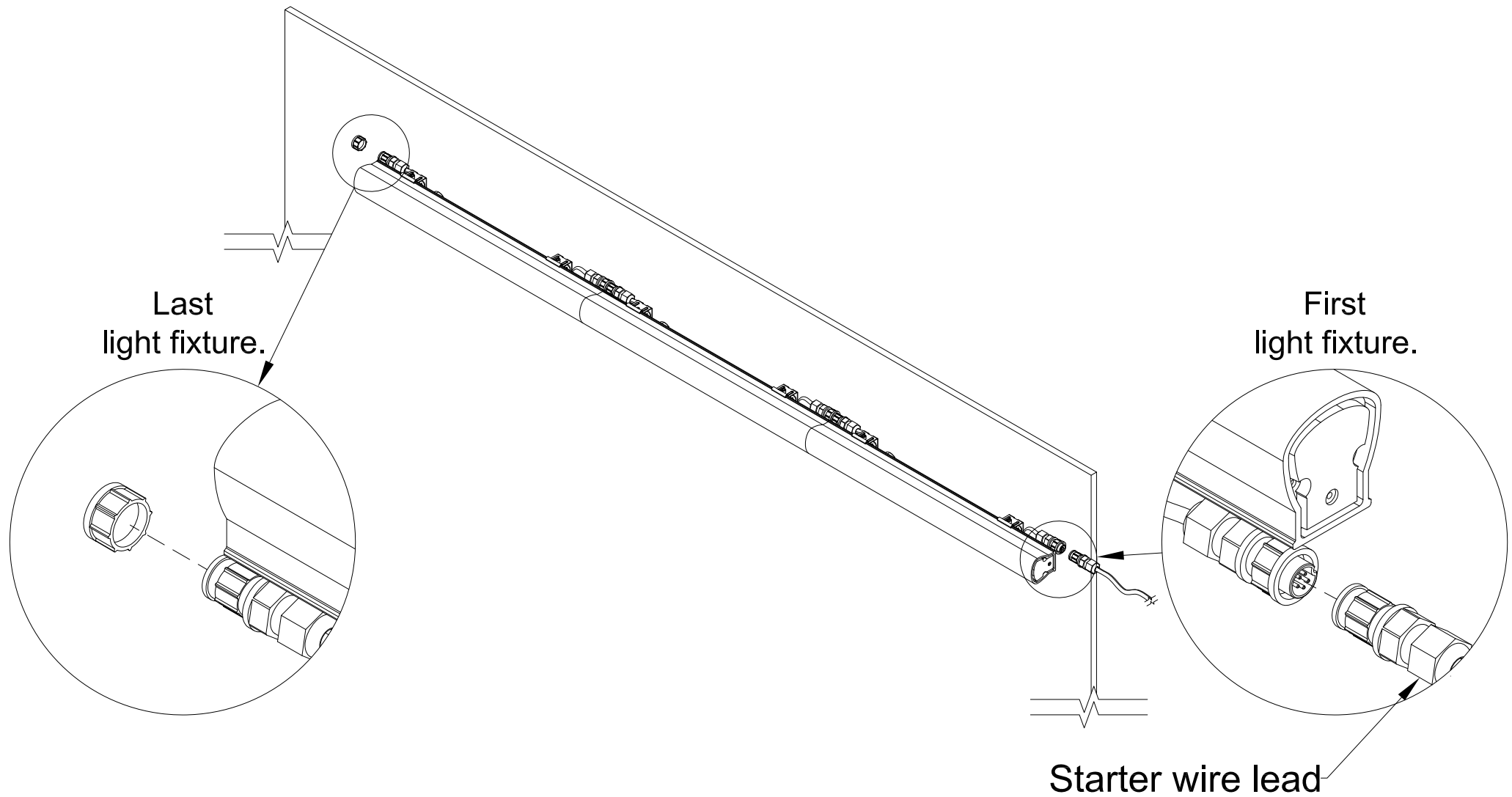
Tighten screws to the brackets  
as light fixture slide to the proper place.



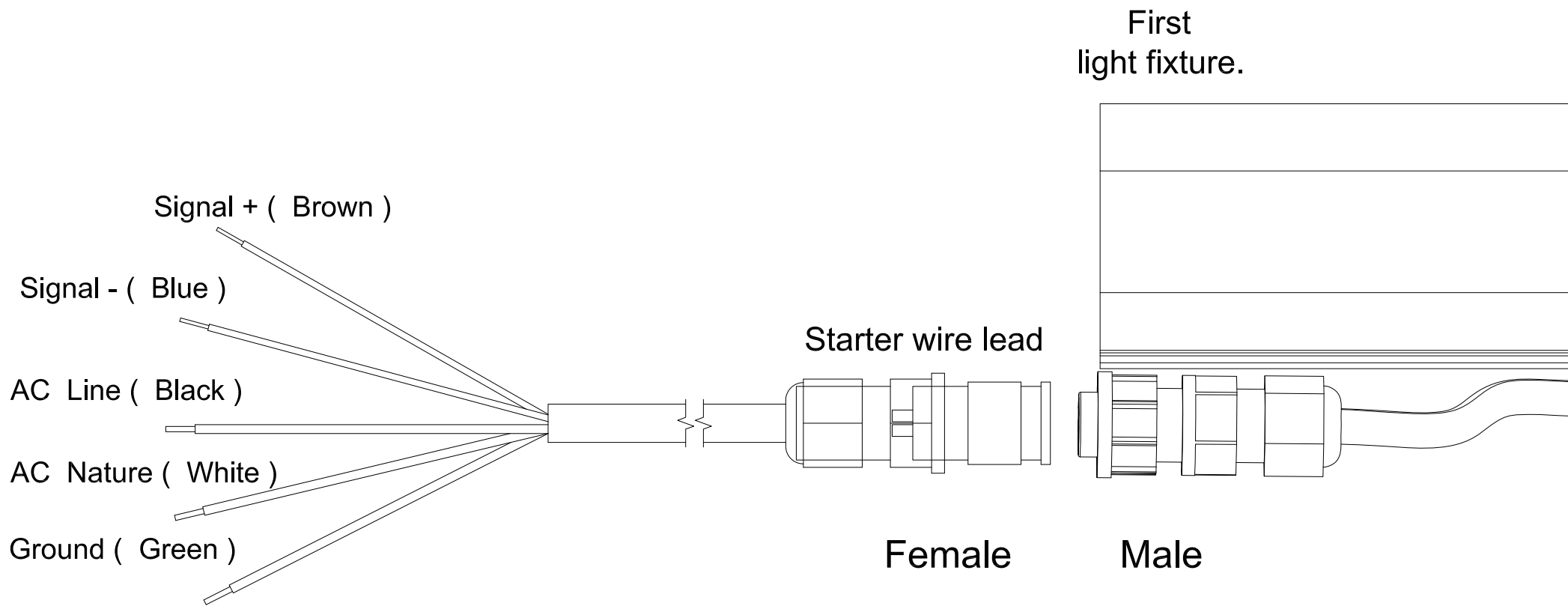
Loosen the screw to adjust angle.



Loosen screws slightly to adjust light beam orientation and re-tighten to secure.



Use end cap on final light fixture in chain.



# Wiring Detail

For HB30PD-RGBW-AC(DMX)  
HB30PD-RGB-AC(DMX)

For more information visit us at...  
[thesmartlightingcompany.com](http://thesmartlightingcompany.com)  
or call **949-346-3456**

1731 Kaiser Ave. Irvine, CA 92614