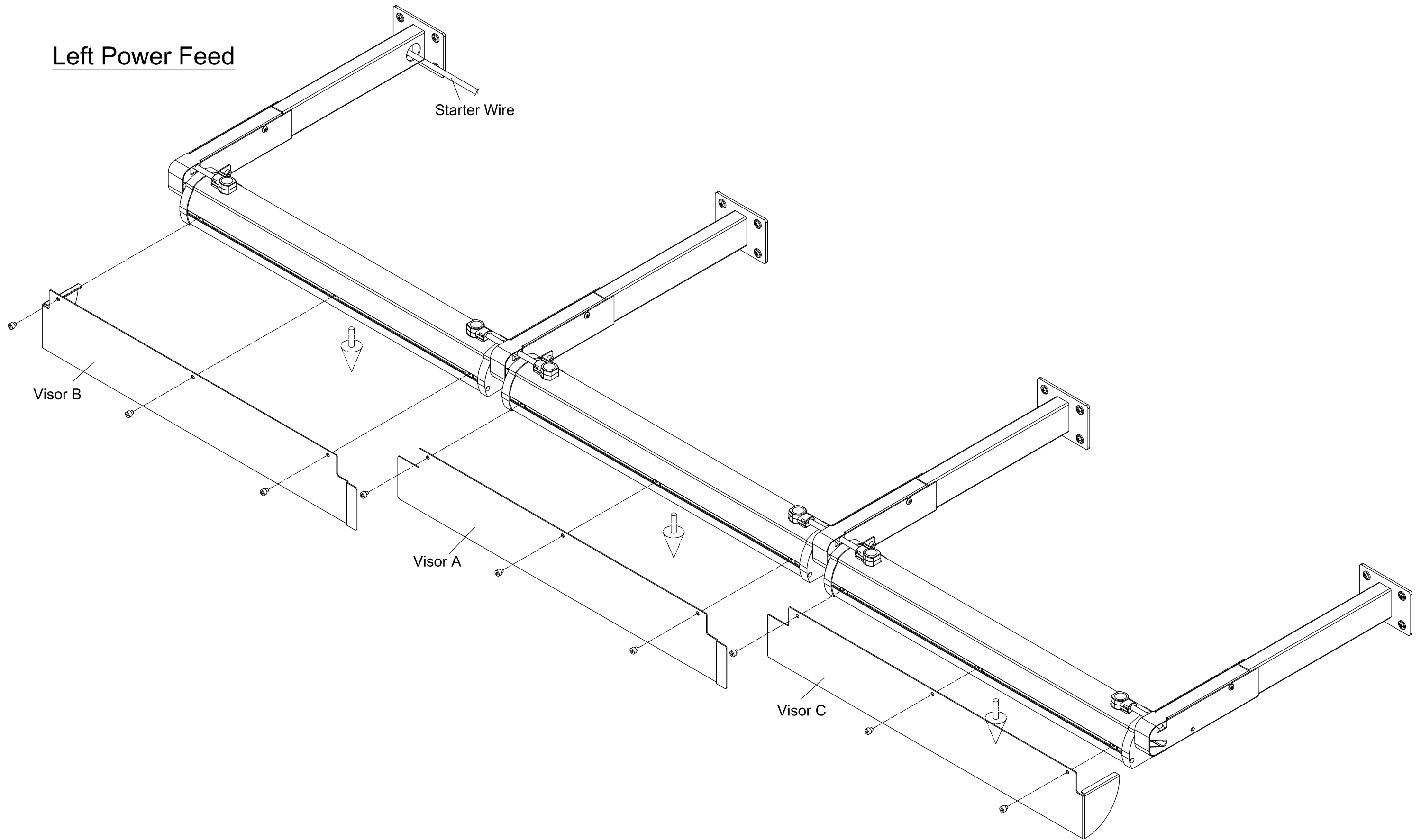


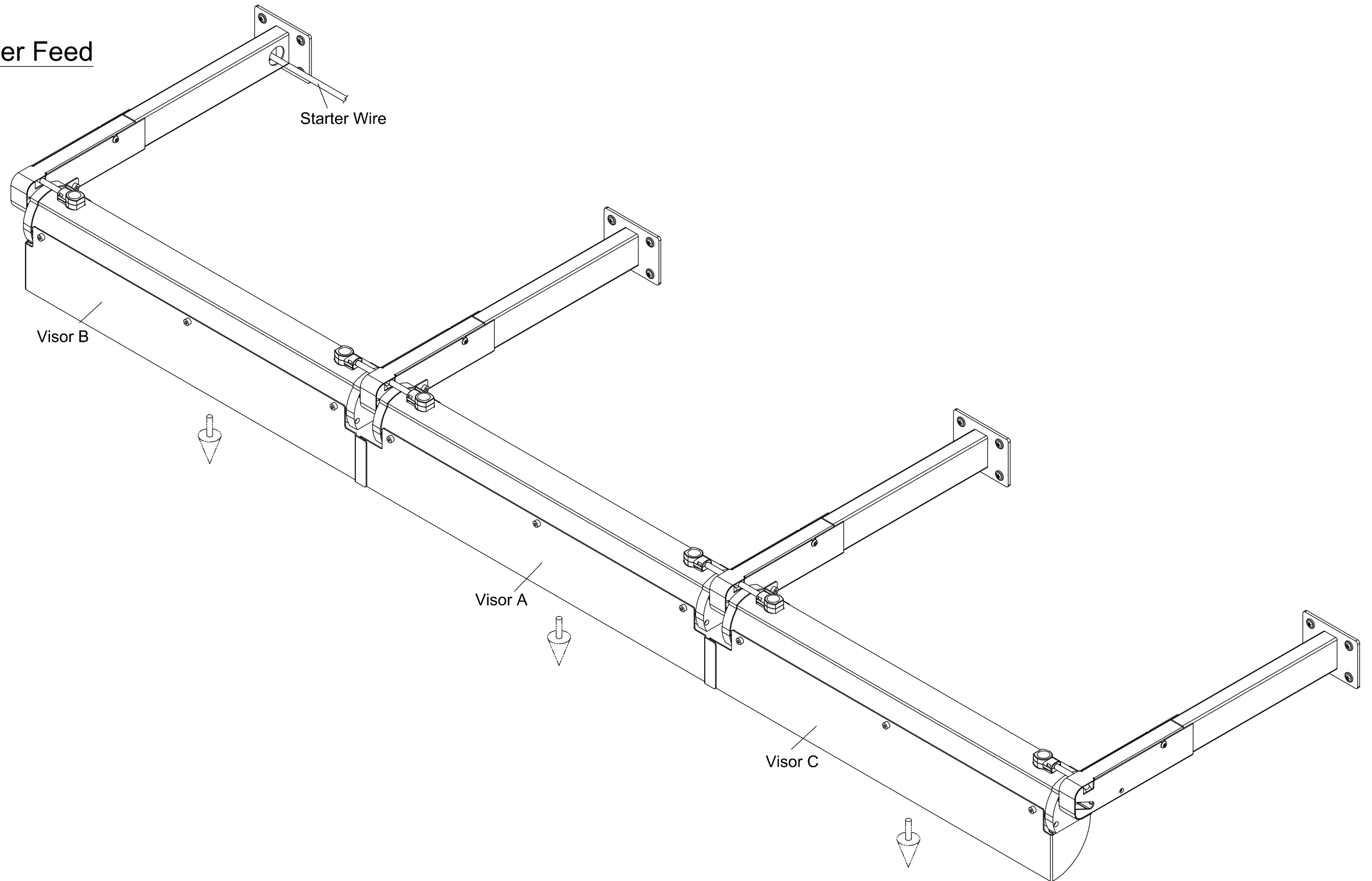
Downward projection mode

Left Power Feed



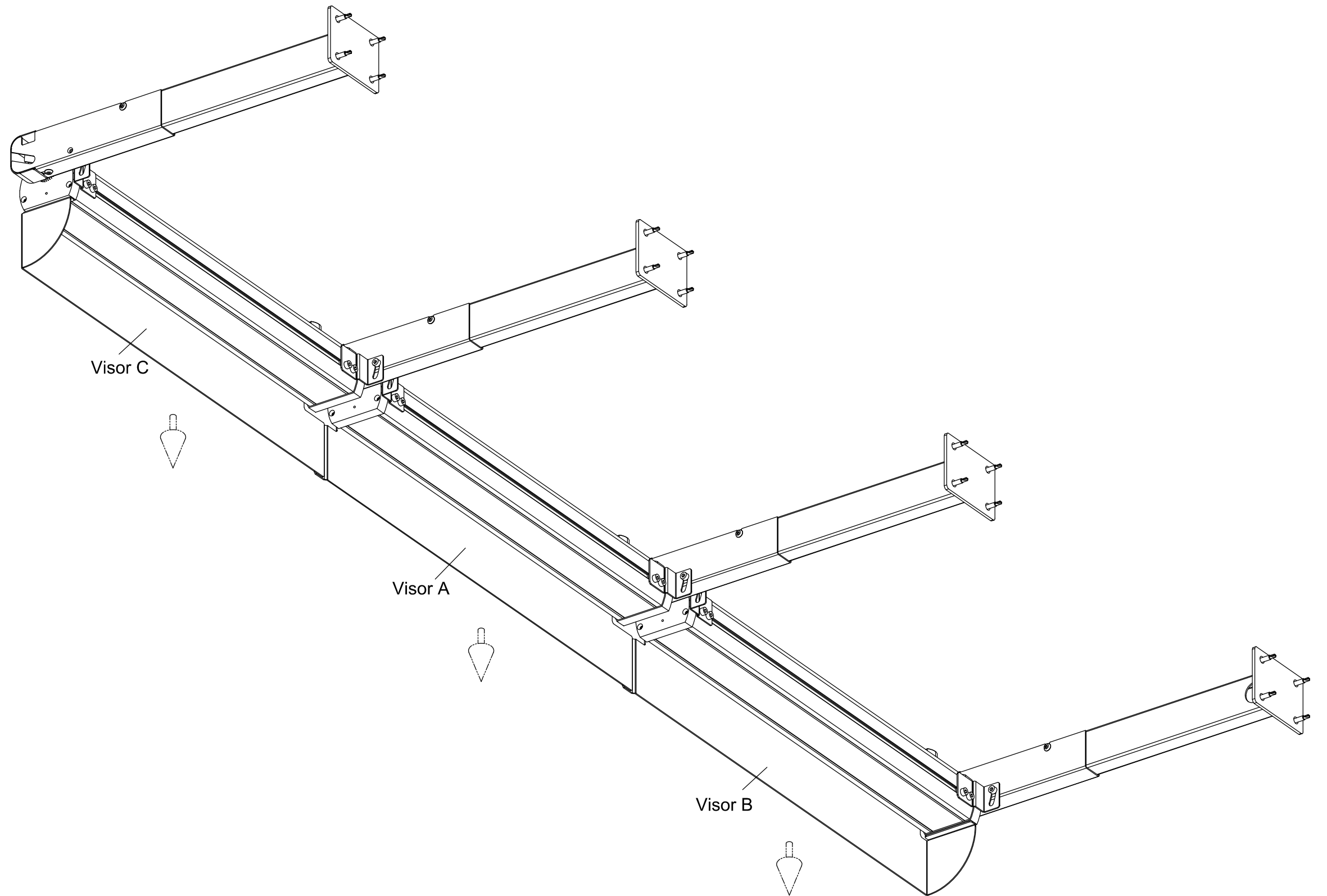
Downward projection mode

Left Power Feed



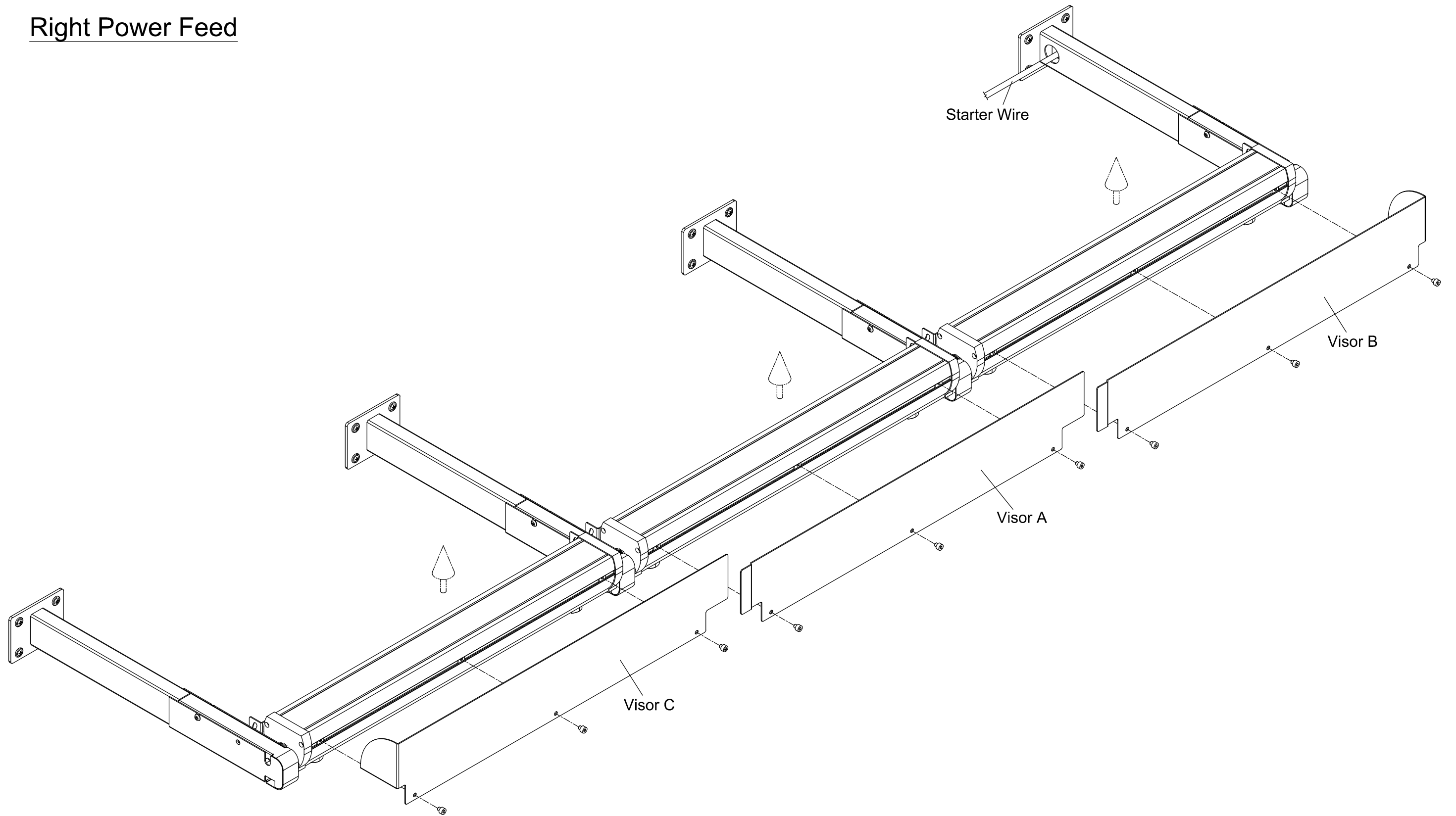
Downward projection mode

Left Power Feed



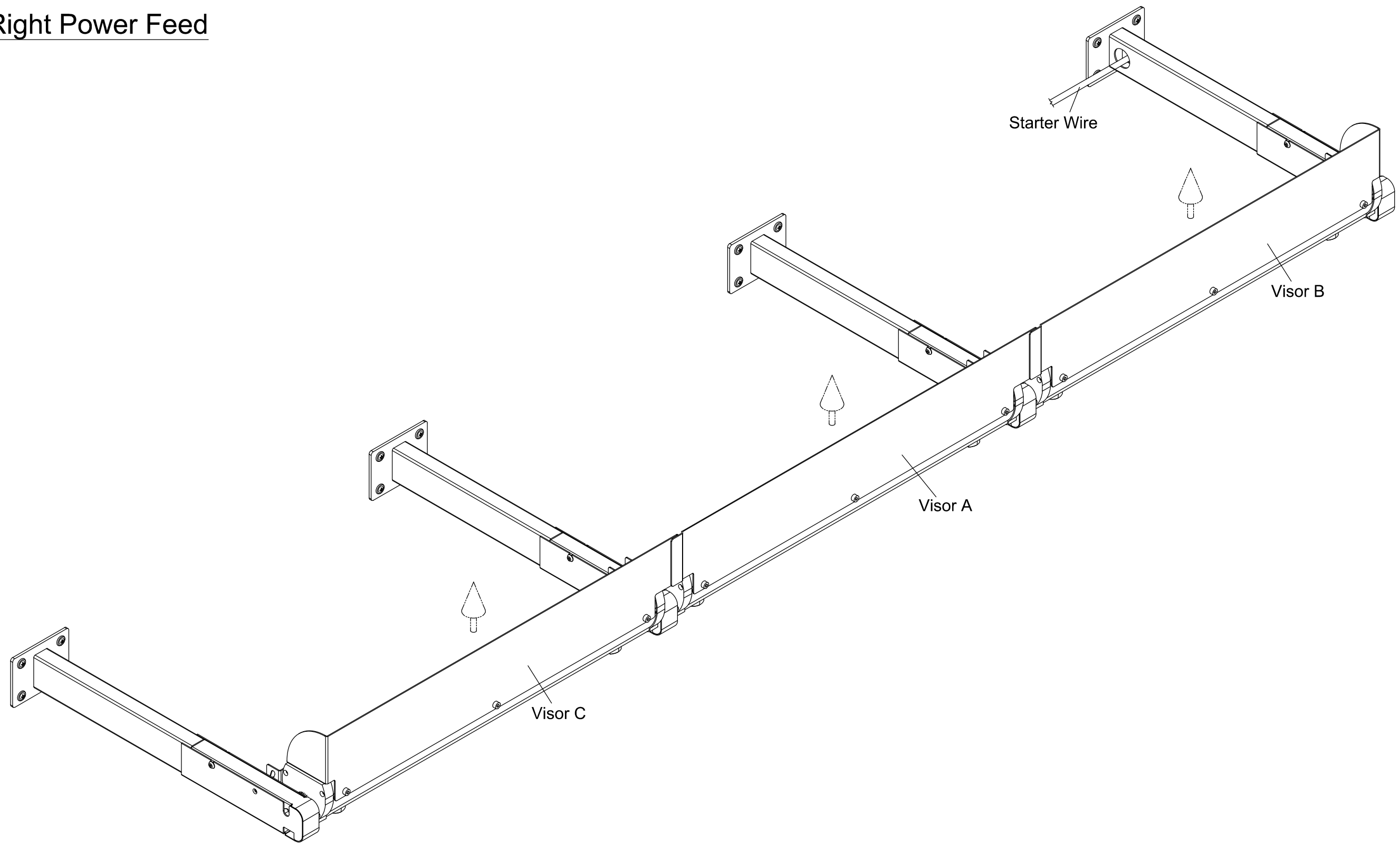
Upward projection mode

Right Power Feed



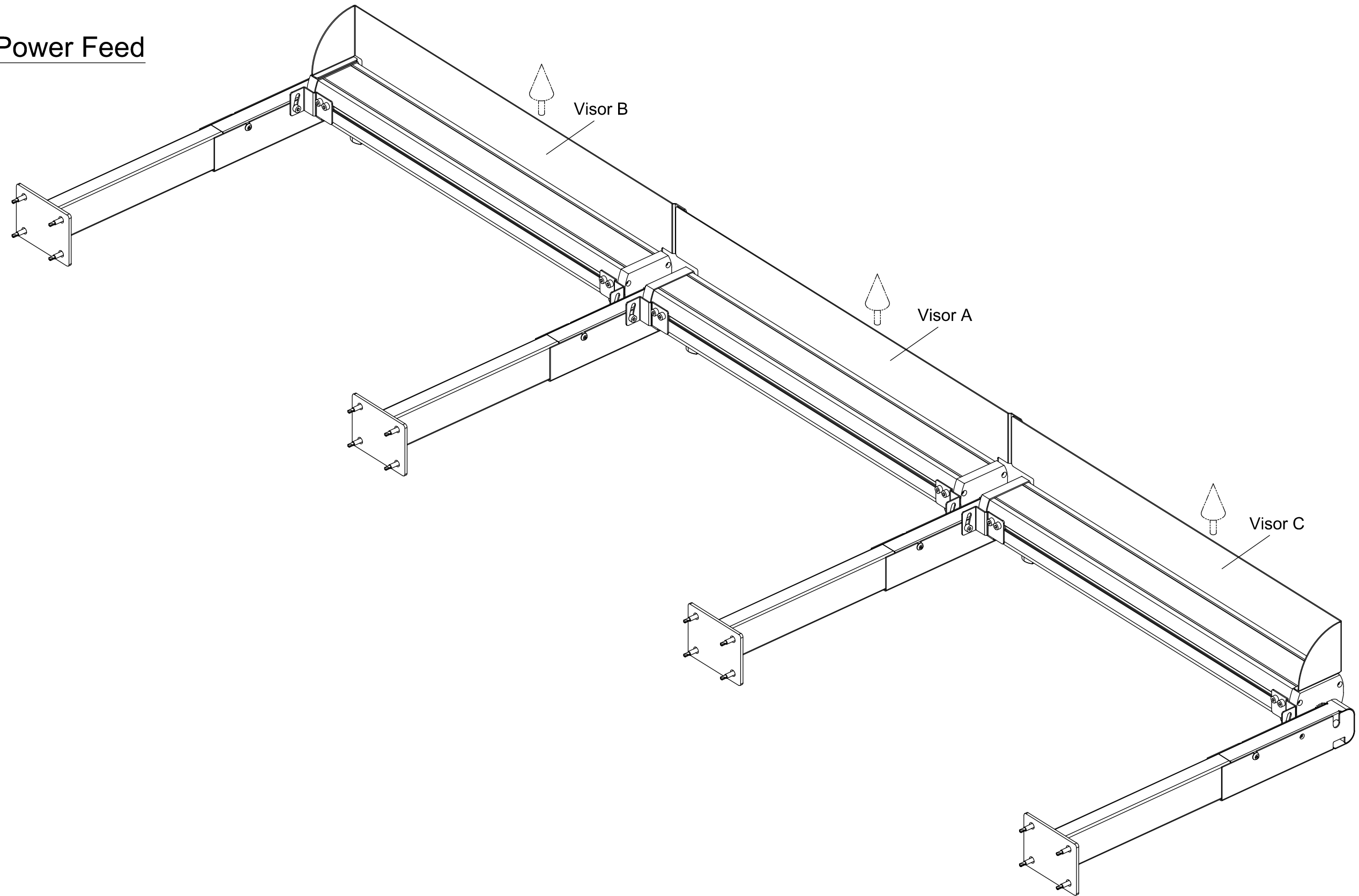
Upward projection mode

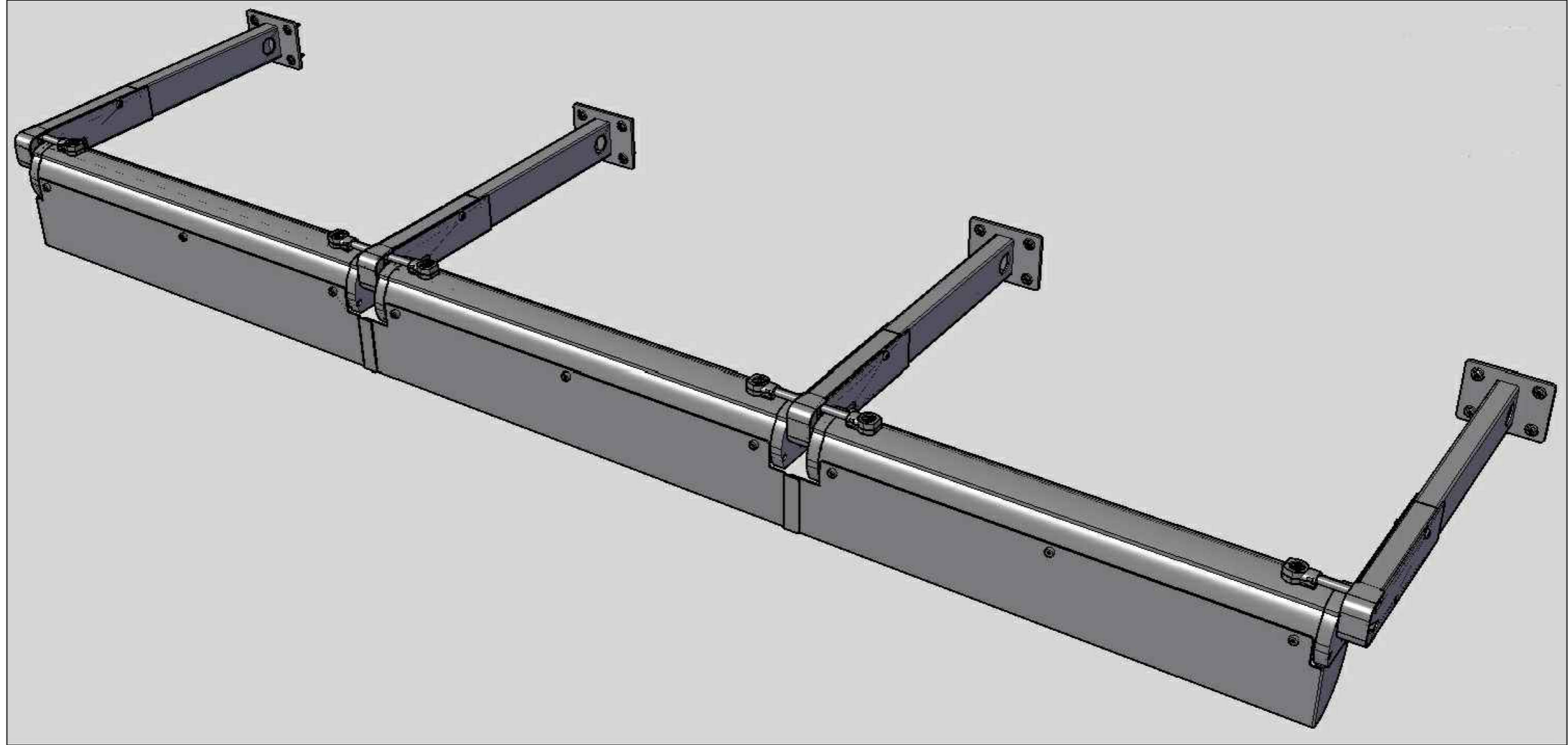
Right Power Feed



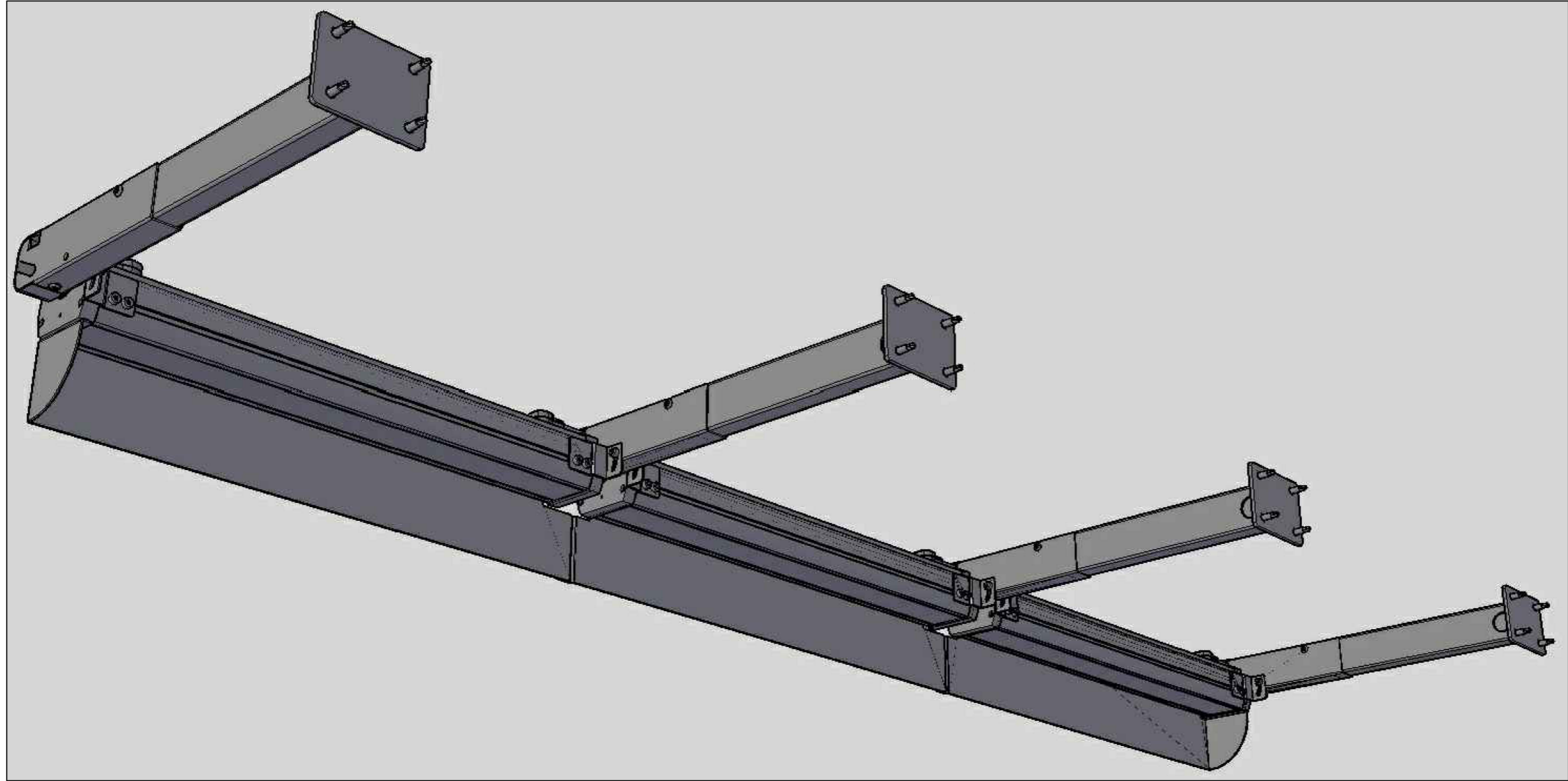
Upward projection mode

Right Power Feed

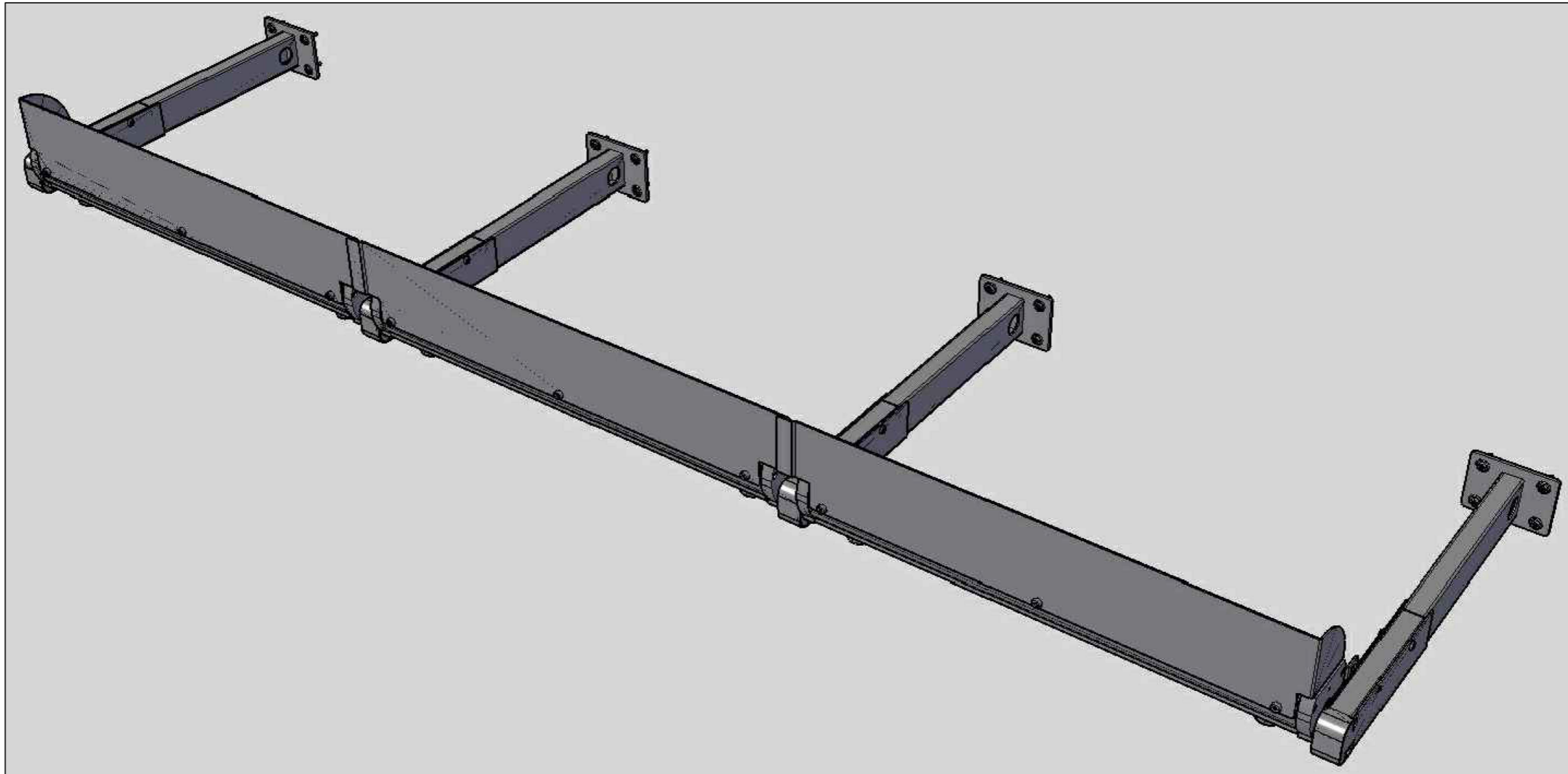




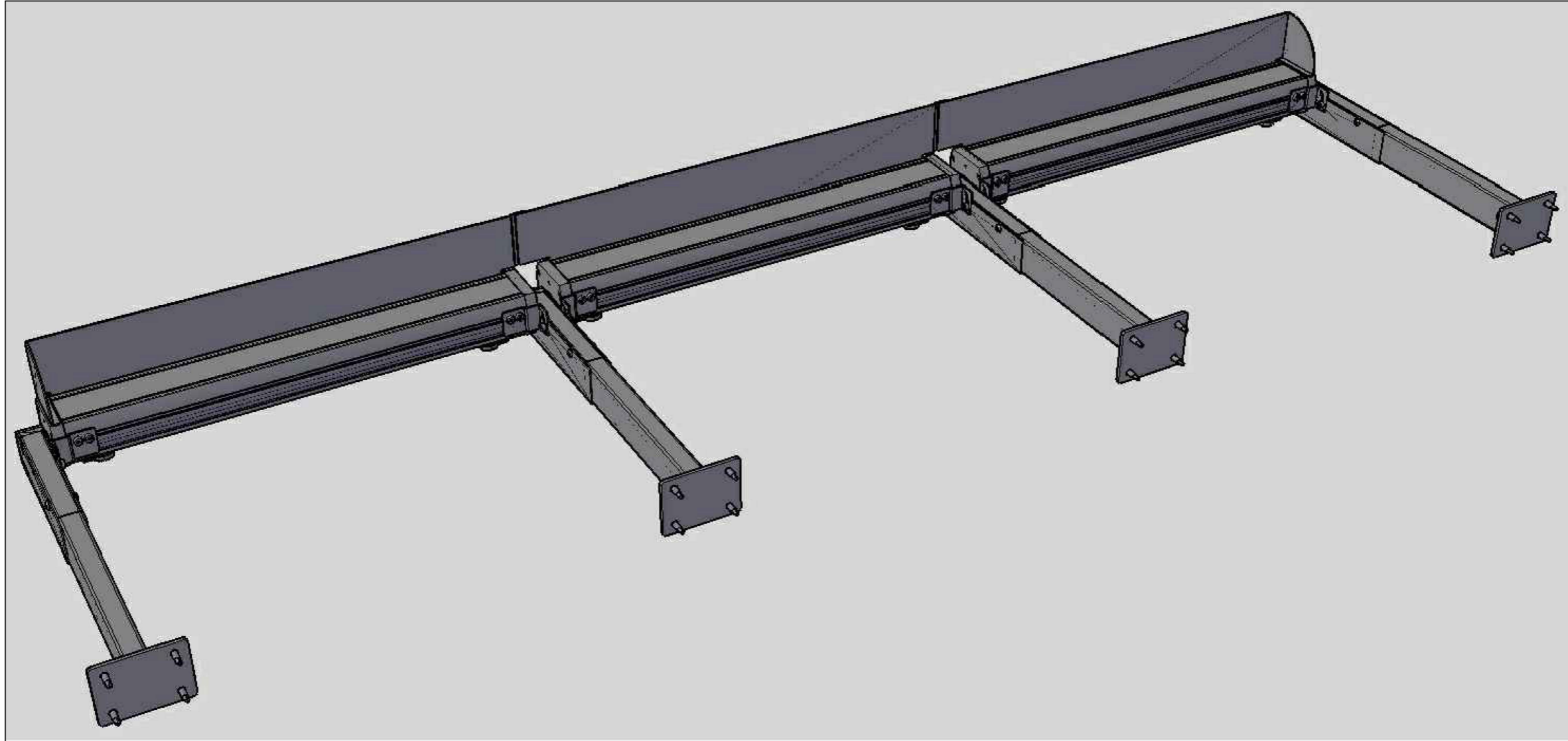
DRAWING NO.	DRAWN BY	DATE	DESCRIPTION	REMARK	



DRAWING NO.	DRAWN BY	DATE	DESCRIPTION	REMARK	



DRAWING NO.	DRAWN BY	DATE	DESCRIPTION	REMARK	



DRAWING NO.	DRAWN BY	DATE	DESCRIPTION	REMARK	