

HB40SP RGBW

EXTERIOR LINEAR LED LIGHTBAR

POWERFUL | HIGH PERFORMANCE
 13w/ft | RGBW | DMX

Graze | Wall Washing | Cove | Accent Lighting



Enhance your exterior spaces with Smart Lighting Company HB40SP RGBW, a versatile and affordable linear LED architectural luminaire. Operating at an efficient 11.9 watts per foot, this color-changing fixture is perfect for wall grazing, washing, cove, and accent lighting. It includes an integrated 20° optical adjustment feature, allowing for precise control and customization of the light direction to best highlight architectural features. Equipped with a universal 100/277VAC power supply, the HB40SP RGBW is self-addressing for easy integration with DMX controls and has a selection of static white color temperatures to complement its RGB capabilities. The use of industry-leading Nichia bin-sorted LEDs ensures a consistent and high-quality light output, making it a preferred choice for architects and lighting designers. Our in-house designed and manufactured optical lenses efficiently maximize light intensity while minimizing power usage, aligning with our commitment to sustainability and energy efficiency.



The HB40SP RGBW is available in a choice of finishes and comes with a Plug and Play system that simplifies installation, offering both power and signal connectivity in one connection.



SPECIFICATIONS

PERFORMANCE

Output

13w/ft | 612lm/ft

Color Temperatures

RGBW

Beam Angles

15°, 20°, 30°, 45°, 60°, 75°, 90°, 120°, 18°x26°,
18°x58°, 30°x60°, 26°x18°, 58°x18°, 60°x30°

LEDs per Foot

16 (4R, 4G, 4B, 4W) LED's/ft

LED's

Nichia bin-sorted

Color Consistency

2 SCDM

ELECTRICAL

Input Voltage

100-277vac

Power Supply

Integral

Control

DMX

Resolution

Per 9" or per fixture

Heat dissipation

Full thermal management system

Connection

Quick connect plug and play system

Projected Lumen Maintenance

>90,000 hours

PHYSICAL

Fixture Length Options

10", 19", 28", 37", 46"

Max Run Length

93ft@277vac, 36ft@120vac

Housing

Anodized extruded aluminum, tooled end caps

Lens

Polycarbonate

Fixture Finish (Standard)

Anodized aluminum

Powder Coated Finish (Optional)

Black, Bronze, White, CU

Standard Mounting

Stainless flat brackets

Optional Mounting

Extended arms (6", 12", 24")

Operating Temperature

-40°F to 122°F, (-40°C to 50°C)

ENVIRONMENT AND WARRANTY

IP Rating

IP66

Environment

Dry, Damp or Wet locations
0-100% non condensing humidity

Certifications

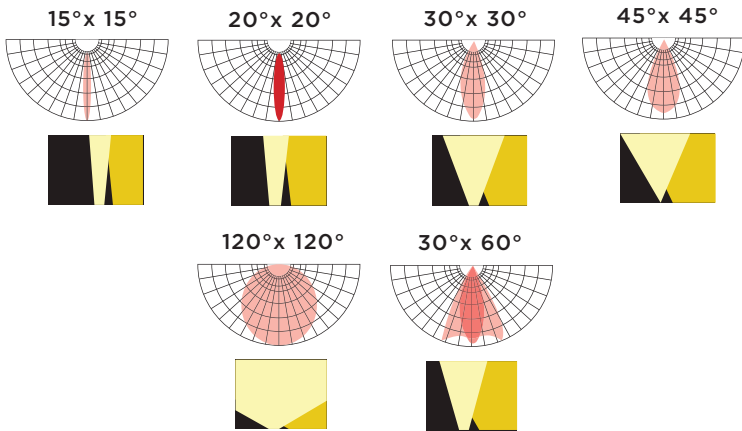
UL, cUL

Warranty

5 year limited warranty

SPECIFICATIONS

OPTICS



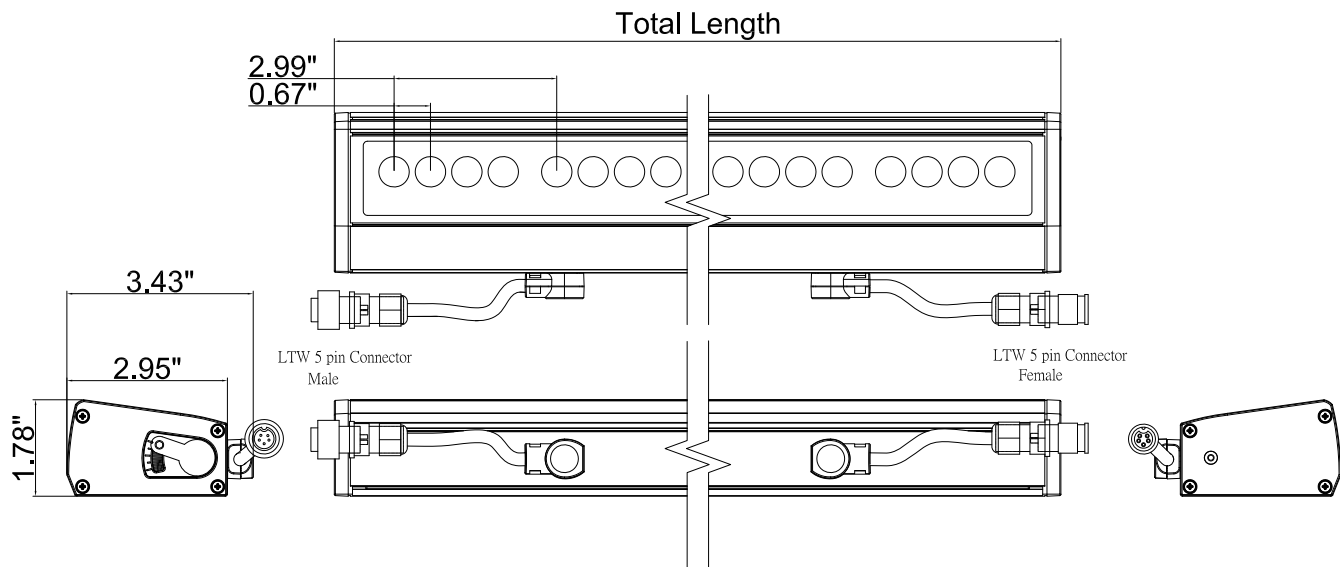
COLOR TEMPERATURES



DIMENSIONS AND DATA

| | Voltage | View Angle | Watts/ Fixture | Lumens/ Fixture | LEDs/ Fixture | Extrusion Length | Total Length |
|------------------------|------------|---------------|----------------|-----------------|--------------------|------------------|------------------|
| HB40SP-10-RGBW-XXD-ACD | 100-277VAC | 15°, 20°, 30° | 10.5w | 469 | 3R, 3G, 3B, 3W | L=244.4mm | L=259.4mm (10") |
| HB40SP-19-RGBW-XXD-ACD | | 45°, 60°, 75° | 20w | 939 | 6R, 6B, 6G, 6W | L=473.0mm | L=488.0mm (19") |
| HB40SP-28-RGBW-XXD-ACD | | 90°, 120° | 30w | 1409 | 9R, 9G, 9B, 9W | L=701.6mm | L=716.6mm (28") |
| HB40SP-37-RGBW-XXD-ACD | | 18°x26° | 39w | 1879 | 12R, 12G, 12B, 12W | L=930.2mm | L=945.2mm (37") |
| HB40SP-46-RGBW-XXD-ACD | | 18°x58° | 48w | 2348 | 15R, 15G, 15B, 15W | L=1158.8mm | L=1173.8mm (46") |

PROFILE



ORDER FORM

CREATE YOUR FIXTURE

Ex. HB40SP-37-RGBW-3060-AC-DM

| MODEL | LENGTH | COLOR | OPTICS |
|---------------|---|---|---|
| HB40SP | 10" 10 inches 19" 19 inches 28" 28 inches 37" 37 inches 46" 46 inches | RGBW 27k 2700k 30k 3000k Select the W - 30k is standard 35k 3500k 41k 4100k 50k 5000k 65k 6500k A Amber | 15 15°x15° 1826 18°x26° 20 20°x20° 1858 18°x58° 30 30°x30° 3060 30°x60° 45 45°x45° 2618 26°x18° 60 60°x60° 5818 58°x18° 75 75°x75° 6030 60°x30° 90 90°x90° 120 120°x120° |
| VOLTAGE | CONTROL | | |
| AC 100-277vac | DM Addressable/9" DS Addressable/fixture | | |

SELECT CONNECTION

Wire Lead

| | | |
|-----|---------------------|--------------------------|
| QTY | POWER/SIGNAL | |
| | AL-HB5P-72"-W/L | 72" (6ft) Wire lead 5pin |
| | AL-HB5P-xx"-W/L | xx" (CU) Wire lead 5pin |

* 1 wire lead required for each run.

End Cap

| | | |
|-----|----------------|--|
| QTY | AL-HB3P-ENDCAP | End cap for fixture output at end of run |
|-----|----------------|--|

* 1 End cap required at the end of each run

Jumper Cable

| | | |
|-----|---------------------|-----------------------|
| QTY | POWER/SIGNAL | |
| | AL-HB5P-12"-J | 12" (1ft) jumper 5pin |
| | AL-HB5P-72"-J | 72" (6ft) jumper 5pin |
| | AL-HB5P-xx"-J | xx" (CU) jumper 5pin |

* Fixtures are end to end connected. Use jumpers if space is needed between fixtures.

ADDITIONAL OPTIONS

Optional Powder Coated Finish

| | | |
|-----|---|--------|
| QTY | Powder coated finishes available for additional cost | |
| | BK | Black |
| | BZ | Bronze |
| | WH | White |
| | CU | Custom |

* Fixture housing is anodized aluminum standard

Junction Boxes

| | | |
|-----|---------------|---|
| QTY | AC5A-DMX-3WB1 | Power and CAT5 signal splitter |
| | AC5A-DMX-3WB2 | AC Power amplifier for long run lengths |
| | AC5A-DMX-3WB3 | Power and Wire lead signal splitter |

* Used in place of wire leads to separate power and signal

SELECT MOUNTING

| | | |
|-----|----------------------|----------------------|
| QTY | SURFACE MOUNT | |
| | HB47-FLT-BKT | Flat Bracket |
| | HB47-FLT BKT-JNT | Flat Bracket Jointed |

| | | |
|-----|----------------------|-----------------------------|
| QTY | CEILING MOUNT | |
| | HB47-2D-BKT | 2 Direction Bracket |
| | HB47-2D BKT-JNT | 2 Direction Bracket Jointed |
| | HB47-CM Cover-xx" | Ceiling Mount Cover set |
| | HB47-EC | End Covers |

| | | |
|-----|-------------------|-----------------------------|
| QTY | WALL MOUNT | |
| | HB47-2D-BKT | 2 Direction Bracket |
| | HB47-2D BKT-JNT | 2 Direction Bracket Jointed |
| | HB47-CM Cover-xx" | Ceiling Mount Cover set |
| | HB47-EC | End Covers |

| | | |
|-----|--------------------------------------|--------------------------------------|
| QTY | WALL MOUNT WITH EXTENDED ARM* | |
| | HB47-EXT ARM-xx"+2D-BKT | Extended arm with 2D Bracket |
| | HB47-EXT ARM-xx"+2D-BKT-JNT | Extended arm with 2D Bracket Jointed |
| | HB47-WM Cover-xx" | Wall Mount Cover set |
| | HB47-EC | End Covers |

* Extended arms available in 6", 12" or 24" lengths.

DMX Controller

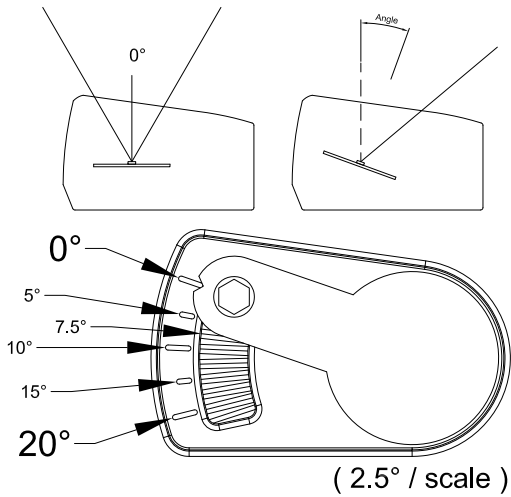
| | | |
|-----|-------------------|----------------|
| QTY | NIC-DMX-STICK-DE3 | DMX Controller |
|-----|-------------------|----------------|

Surge Protection

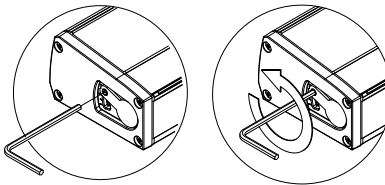
| | | |
|-----|----------|--------------------------|
| QTY | LSP4-UNV | 120/277v surge protector |
|-----|----------|--------------------------|

OPTICAL BOARD ANGLE ADJUSTMENT

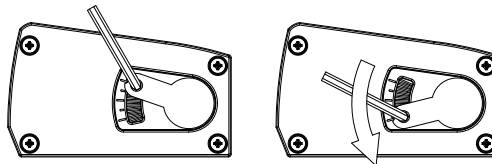
ANGLE BEAM UP TO 20° TOWARD THE ILLUMINATED SURFACE



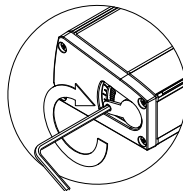
Step 1 : Loosen the screw



Step 2 : Adjust the angle.



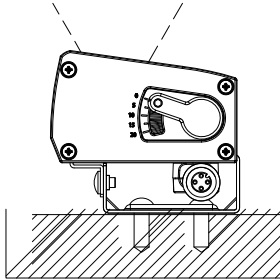
Step 3 : Tighten the screw



MOUNTING OPTIONS

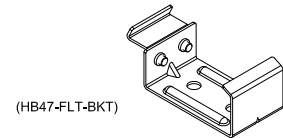
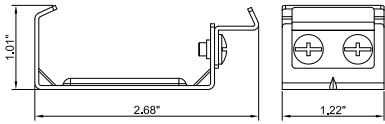
Date:
Type:
Project:
Firm:

SURFACE MOUNT



PART NUMBER

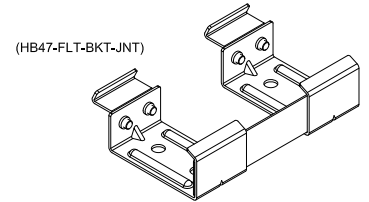
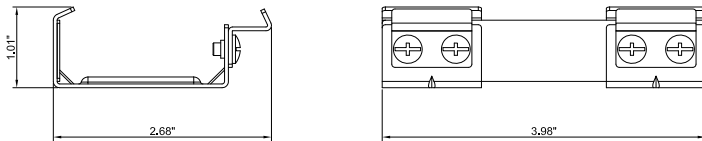
HB47-FLT-BKT..... Single mounting bracket for beginning or end of a run on a stand-alone fixture



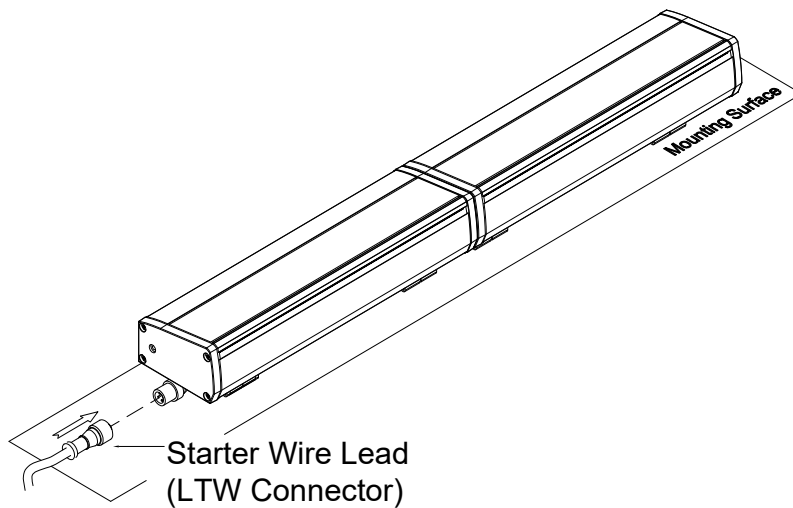
(HB47-FLT-BKT)

PART NUMBER

HB47-FLT-BKT-JNT..... Double mounting bracket to connect 2 fixtures together



(HB47-FLT-BKT-JNT)



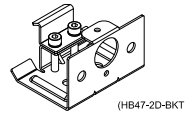
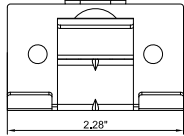
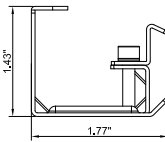
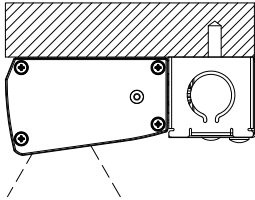
MOUNTING OPTIONS

CEILING MOUNT

1. CEILING MOUNTED

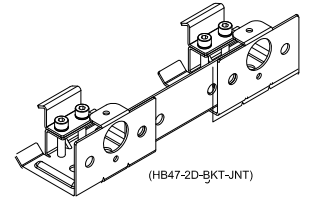
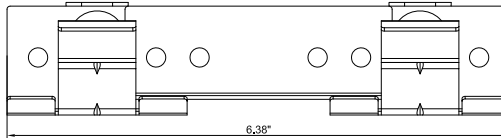
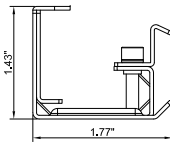
PART NUMBER

HB47-2D-BKT..... Single mounting bracket for beginning or end of a run or on a stand-alone fixture



PART NUMBER

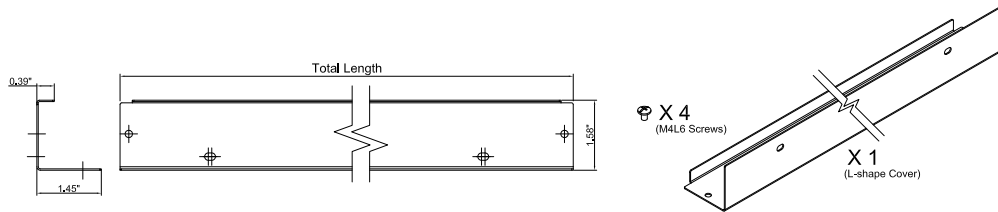
HB47-2D-BKT-JNT..... Double mounting bracket to connect 2 fixtures together



CEILING MOUNT COVERS

PART NUMBER ONE PER FIXTURE

- HB47-CM-COVER-10"**.....10" CEILING MOUNT COVER
- HB47-CM-COVER-19"**.....19" CEILING MOUNT COVER
- HB47-CM-COVER-28"**.....28" CEILING MOUNT COVER
- HB47-CM-COVER-37"**.....37" CEILING MOUNT COVER
- HB47-CM-COVER-46"**.....46" CEILING MOUNT COVER



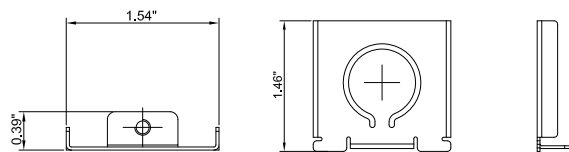
Ø X 4
(M4L6 Screws)

X 1
(L-shape Cover)

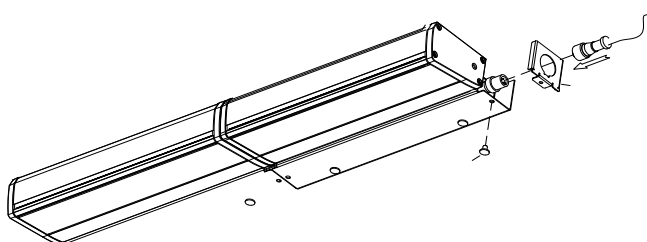
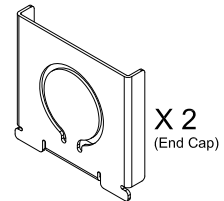
END CAPS

PART NUMBER

HB47-EC.....END CAP FOR CEILING MOUNT COVER (2 PER COVER)

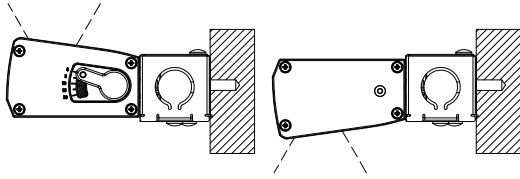


Ø X 2
(M4L6Screws)

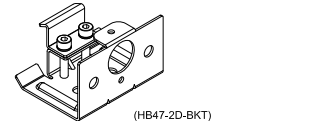
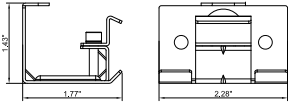


MOUNTING OPTIONS

WALL MOUNT

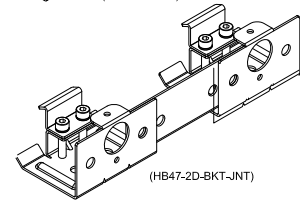
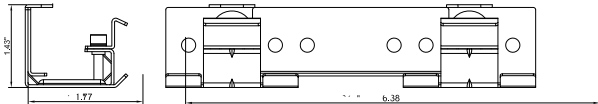


HB47-2D-BKT.....Single mounting bracket for beginning or end of a run or on a stand-alone fixture



PART NUMBER

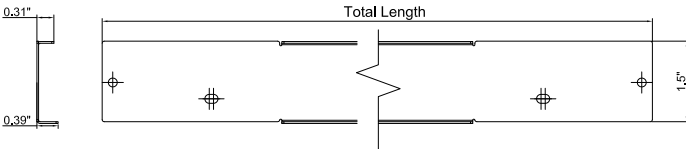
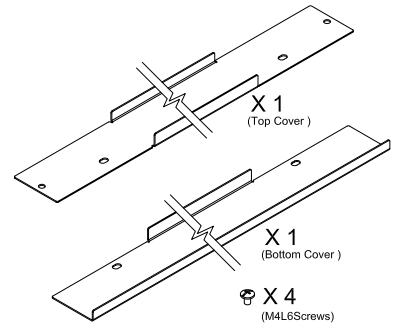
HB47-2D-BKT-JNT.....Double mounting bracket to connect 2 fixtures together



WALL MOUNT COVERS

PART NUMBER TWO PER FIXTURE ((1) TOP & (1) BOTTOM)

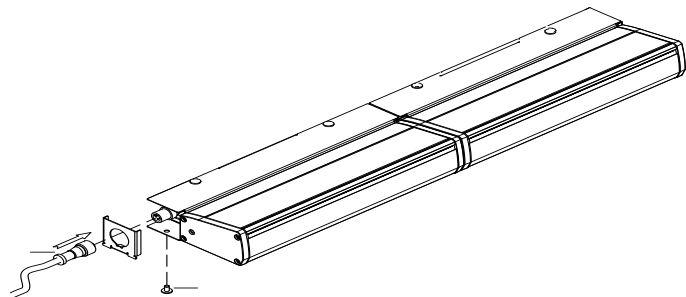
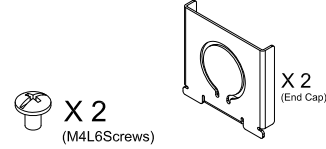
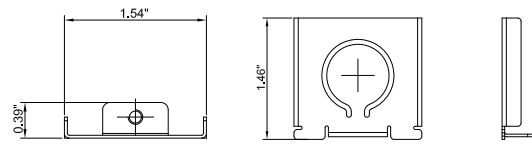
- HB47-WM-COVER-10"**.....10" WALL MOUNT COVER
- HB47-WM-COVER-19"**.....19" WALL MOUNT COVER
- HB47-WM-COVER-28"**.....28" WALL MOUNT COVER
- HB47-WM-COVER-37"**.....37" WALL MOUNT COVER
- HB47-WM-COVER-46"**.....46" WALL MOUNT COVER



END CAPS

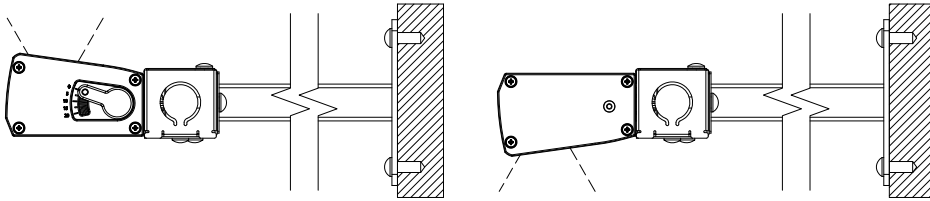
PART NUMBER

HB47-EC.....END CAP FOR WALL MOUNT COVER (2 PER COVER)



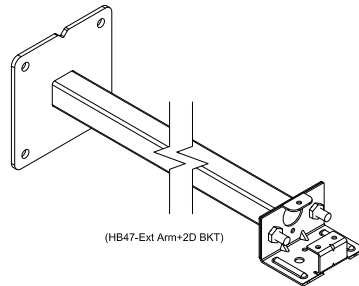
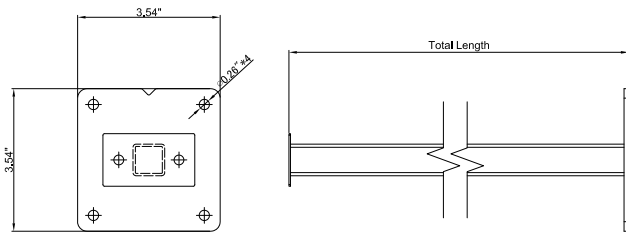
MOUNTING OPTIONS

EXTENDED ARM WALL MOUNT



PART NUMBER

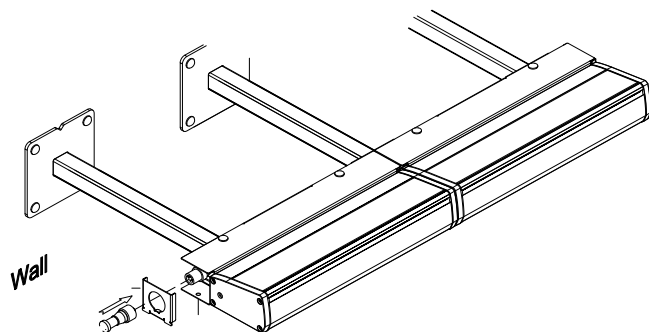
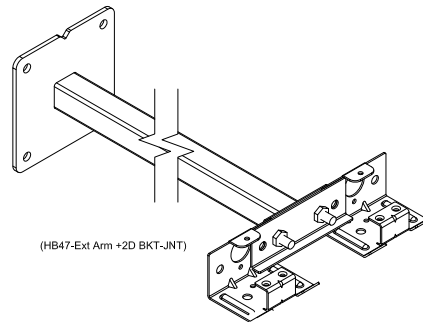
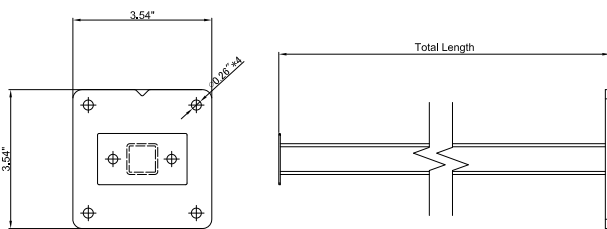
- HB47-EXT ARM- 6"+2D BKT..... 6" Extended arm with single mounting bracket for beginning or end of a run or on a stand-alone fixture
- HB47-EXT ARM-12"+2D BKT..... 12" Extended arm with single mounting bracket for beginning or end of a run or on a stand-alone fixture
- HB47-EXT ARM-24"+2D BKT..... 24" Extended arm with single mounting bracket for beginning or end of a run or on a stand-alone fixture



EXTENDED ARMS FOR DOUBLE BRACKET MOUNT

PART NUMBER

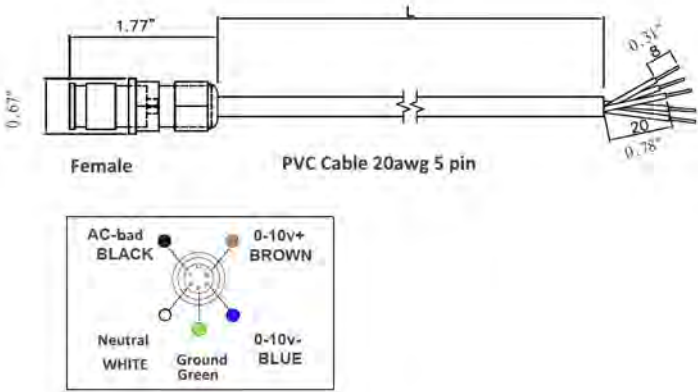
- HB47-EXT ARM- 6"+2D BKT-JNT..... 6" Extended arm with single mounting bracket for beginning or end of a run or on a stand-alone fixture
- HB47-EXT ARM-12"+2D BKT-JNT..... 12" Extended arm with single mounting bracket for beginning or end of a run or on a stand-alone fixture
- HB47-EXT ARM-24"+2D BKT-JNT..... 24" Extended arm with single mounting bracket for beginning or end of a run or on a stand-alone fixture



WIRING OPTIONS

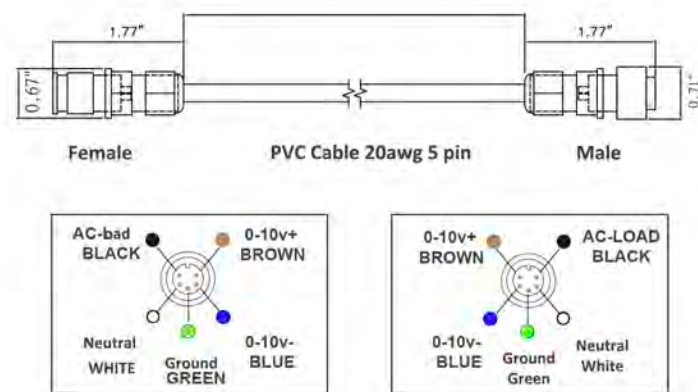
WIRE LEAD

| DESCRIPTION | PART NUMBER |
|---------------------------|-----------------|
| 5 pin power / signal wire | AL-HB5P-xx"-W/L |



JUMPER CABLE

| DESCRIPTION | PART NUMBER |
|-----------------------------|-----------------|
| 5 pin power / signal jumper | AL-HB5P-xx"-W/L |



JUNCTION BOX - POWER AND CAT5 SIGNAL SPLITTER

JUNCTION BOX

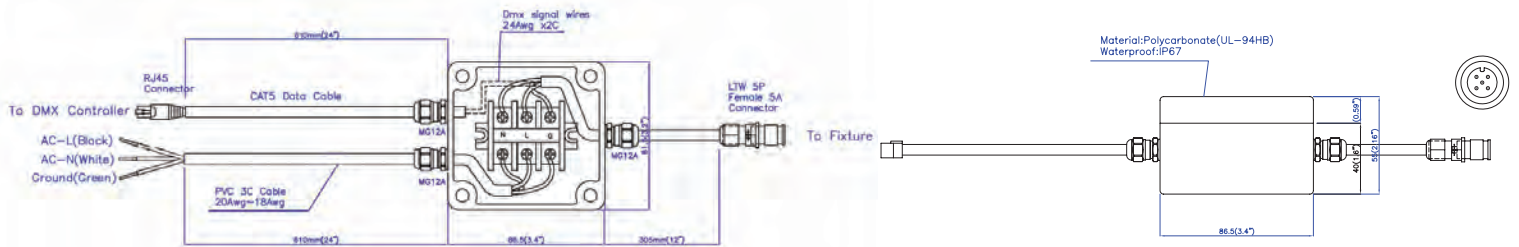
AC5A-DMX-3WB1

INPUT

24" PVC Cat5 Cable for DMX Data 24"
PVC Cable (3 leads) for AC Power

OUTPUT

12" Cable w 5P Female 5A Connector



JUNCTION BOX-AC POWER AMPLIFIER FOR LONG RUN LENGTHS

JUNCTION BOX

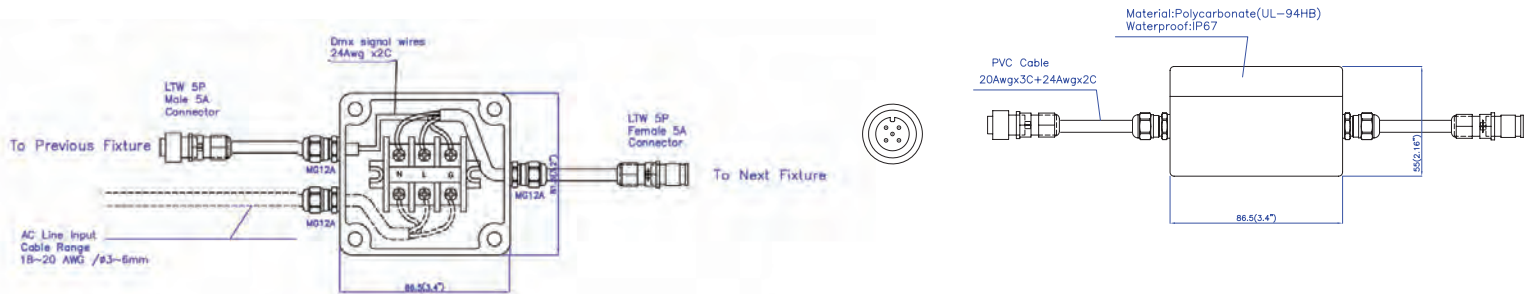
AC5A-DMX-3WB2

INPUT

12" PVC Cable w/ 5P Male 5A Connector

OUTPUT

12" PVC Cable w/ 5P Female 5A Connector



JUNCTION BOX - POWER AND WIRE LEAD SIGNAL SPLITTER

JUNCTION BOX

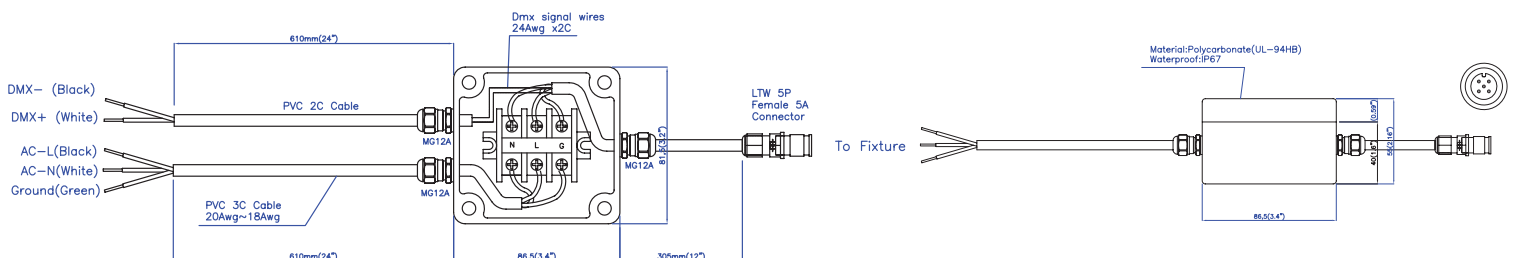
AC5A-DMX-3WB1

INPUT

24" PVC Cable (2 leads) for DMX Data
24" PVC Cable (3 leads) for AC Power

OUTPUT

12" Cable w 5P Female 5A Connector



SURGE PROTECTION DEVICE

SURGE PROTECTION

DESCRIPTION

Surge Protection Device

PART NUMBER

AL-LSP-UNV

The use of a surge protection device is necessary to maintain your warranty. Specifications are subject to change without notice.

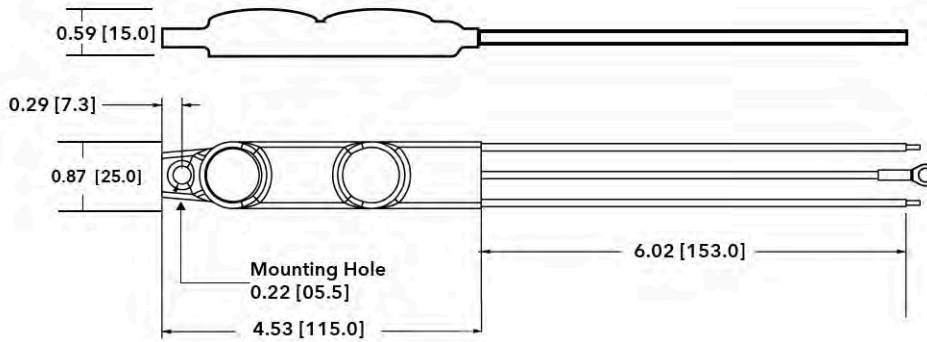
SPECIFICATIONS

| | | | |
|---------------------------------|--|------|------|
| Input Voltage | 120-277V (+/- 5%) | | |
| Frequency | 50Hz-60Hz | | |
| Maximum Continuous Voltage | 320V | | |
| Maximum Discharge Current | L-N 20kA; L-G, N-G 10kA (8/20Qs standard wave) | | |
| Nominal Discharge Current | 5kA | | |
| Measured Limiting Voltage (VpK) | L-N | L-G | N-G |
| | 1200 | 1320 | 1320 |
| Max Case Temperature | 85°C | | |

| PULSE RATING (8 X 20 SEC) | | |
|---------------------------|--------------|----------|
| Surge Level | # of Strikes | |
| | L-N | L-G, N-G |
| 10,000A | *2 | 1 |
| 6,500A | 4 | 2 |
| 5,000A | 30 | 15 |
| 2,000A | 200 | 100 |
| 700A | 20000 | 1000 |

*1 strike at 20,000A

MECHANICAL DIMENSIONS : IN (MM)



WIRING DIAGRAM

