

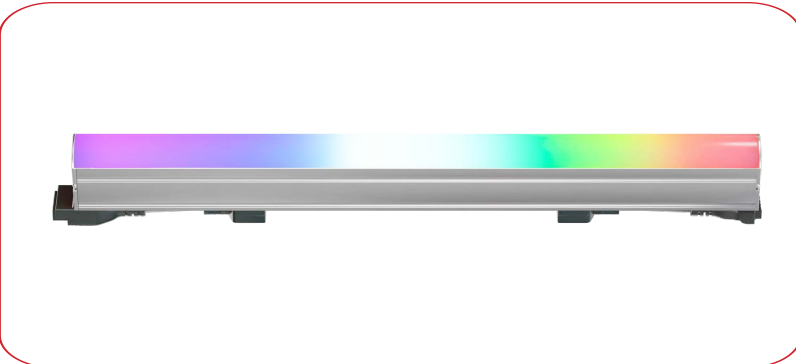
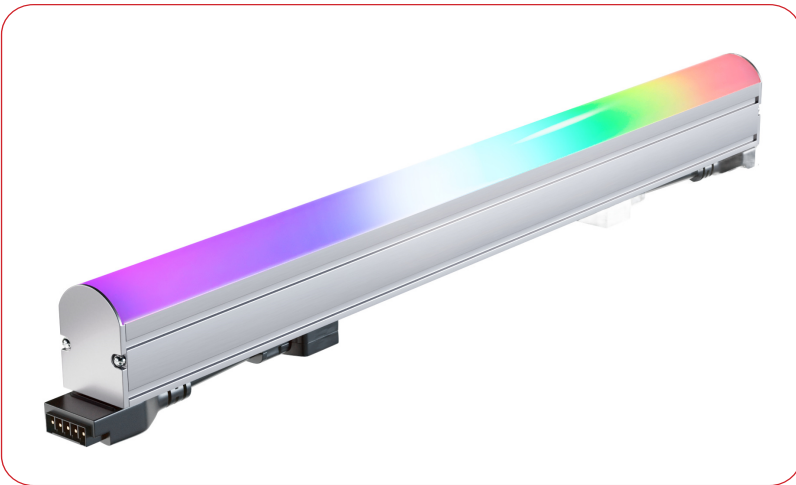


HB3036IR RGBW

INTERIOR LINEAR LED LIGHTBAR

POWERFUL | COMPACT | LOW PROFILE
 6w/ft | RGBW | DMX

Flood | Accent | Direct View | Cove Lighting



Enhance interior spaces with The Smart Lighting Company HB3036ir RGBW Series, a color-changing luminaire that embodies the intersection of architectural design and technical excellence. This specification-grade, low-profile fixture is optimized for a variety of applications, including flood lighting, accenting, and fitting into narrow coves, all while maintaining energy efficiency at 6 watts per foot. Using high-grade Nichia bin-sorted LEDs, it delivers the impeccable illumination that professionals demand. The HB3036ir RGBW is DMX controllable at every 12 inches and self-addressing for fast set-up. Its opaque dome lens ensures a smooth distribution of light, eliminating pixelation for a flawless glow. The built-in 100/277VAC driver facilitates extended runs and user-friendly Plug & Play connectors simplify the installation process. Available in four sizes, bottom or side wire feed, and multiple mounting options, this luminaire is tailored for designers seeking versatile and high-quality lighting solutions at an economical price.



SPECIFICATIONS

PERFORMANCE

Output

5.6w/ft

Color Temperatures

RGBW

Beam Angles

120°

LEDs per Foot

36 (18 RGB & 18W)

LED's

Nichia bin-sorted

Color Consistency

2 SCDM

ELECTRICAL

Input Voltage

100-277vac

Power Supply

Integral

Control

DMX

Resolution

Per 12" or per fixture

Heat dissipation

Full thermal management system

Connection

Quick connect plug and play system
(power and signal in one wire)

Projected Lumen Maintenance

>90,000 hours

PHYSICAL

Fixture Length Options

12", 24", 36", 48"

Max Run Length

197ft@277vac, 85ft@120vac

Housing

Anodized extruded aluminum, tooled end caps

Lens

Polycarbonate opaque dome

Fixture Finish (Standard)

Anodized aluminum

Powder Coated Finish (Optional)

Black, Bronze, White, CU

Standard Mounting

Stainless adjustable or flat brackets

Operating Temperature

-40°F to 122°F, (-40°C to 50°C)

ENVIRONMENT AND WARRANTY

IP Rating

IP40

Environment

Dry locations

Certifications

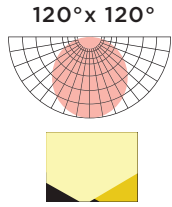
UL, cUL

Warranty

5 year limited warranty

SPECIFICATIONS

OPTICS



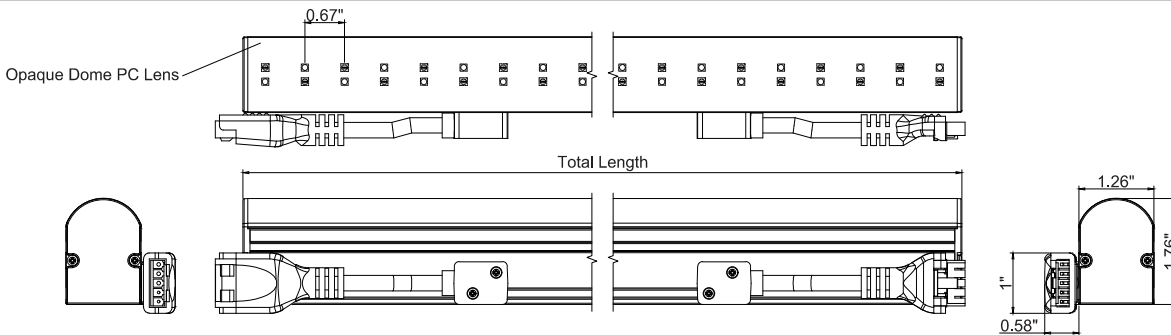
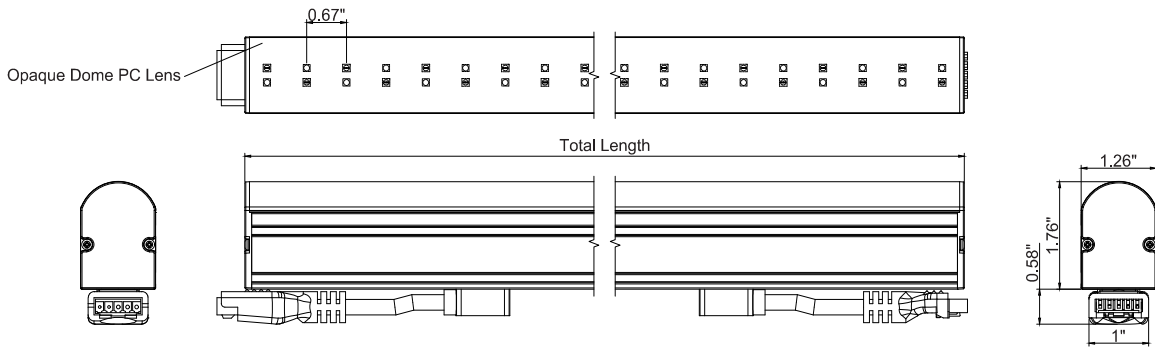
COLOR TEMPERATURES



DIMENSIONS AND DATA

	Voltage	View Angle	Watts/ Fixture	Lumens/ Fixture	LEDs/ fixture	Extrusion Length	Total Length
HB3036IR-1-RGBW-120D-AC-DX	100-277VAC	120°	5.6w	TBD	18RGBW+18W	L=305.9mm	L=306.8mm (12.1")
HB3036IR-2-RGBW-120D-AC-DX			11.2w	TBD	36RGBW+36W	L=606.8mm	L=611.8mm (24.1")
HB3036IR-3-RGBW-120D-AC-DX			16.8w	TBD	54RGBW+54W	L=911.4mm	L=916.4mm (36.1")
HB3036IR-4-RGBW-120D-AC-DX			22.4w	TBD	72RGBW+72W	L=1216.2mm	L=1221.2mm (48.1")

PROFILE



ORDER FORM

Ex. HB3036IR-4-RGBW-15-AC-DM

CREATE YOUR FIXTURE

MODEL HB3036IR 6w/ft	LENGTH 1' 12 inches 2' 24 inches 3' 36 inches 4' 48 inches	COLOR RGBW 27k 2700k 30k 3000k Select the W - 65k is standard 35k 3500k 41k 4100k 50k 5000k 65k 6500k A Amber	OPTICS 120 120°x120°
VOLTAGE AC 100-277vac	CONTROL DM Addressable/12" DS Addressable/fixture		

SELECT CONNECTION

Wire Lead

QTY	POWER/SIGNAL	
<input type="checkbox"/>	AL-ID5P-72"-W/L	72" (6ft) Wire lead 5pin
<input type="checkbox"/>	AL-ID5P-xx"-W/L	xx" (CU) Wire lead 5pin

* 1 wire lead required for each run.

End Cap

QTY	AL-ID3P-ENDCAP	End cap for fixture output at end of run
-----	----------------	--

* 1 End cap required at the end of each run

Jumper Cable

QTY	POWER/SIGNAL	
<input type="checkbox"/>	AL-ID5P-12"-J	12" (1ft) jumper 5pin
<input type="checkbox"/>	AL-ID5P-72"-J	72" (6ft) jumper 5pin
<input type="checkbox"/>	AL-ID5P-xx"-J	xx" (CU) jumper 5pin

* Fixtures are end to end connected. Use jumpers if space is needed between fixtures.

SELECT MOUNTING

MOUNTING BRACKETS - 2 PER FIXTURE

<input type="checkbox"/>	AL-ID30-ADJ BRACKET	HB30i Adjustable bracket
<input type="checkbox"/>	AL-ID30-FLAT BRACKET	HB30i Flat bracket bottom wire feed
<input type="checkbox"/>	AL-ID30-FSF BRACKET	HB30i Flat bracket side wire feed

ADDITIONAL OPTIONS

Optional Powder Coated Finish

QTY	Powder coated finishes available for additional cost	
<input type="checkbox"/>	BK	Black
<input type="checkbox"/>	BZ	Bronze
<input type="checkbox"/>	WH	White
<input type="checkbox"/>	CU	Custom

* Fixture housing is anodized aluminum standard

DMX Controller

QTY	NIC-DMX-STICK-DE3	DMX Controller
-----	-------------------	----------------

Surge Protection

QTY	LSP4-UNV	120/277v surge protector
-----	----------	--------------------------

Junction Boxes

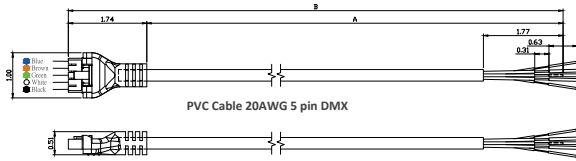
QTY	ID5A-DMX-3WB1	Power and CAT5 signal splitter
<input type="checkbox"/>	ID5A-DMX-3WB2	AC Power amplifier for long run lengths
<input type="checkbox"/>	ID5A-DMX-3WB3	Power and Wire lead signal splitter

* Used in place of wire leads to separate power and signal

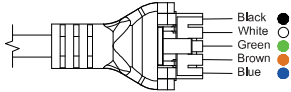
WIRING OPTIONS

WIRE LEAD

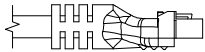
DESCRIPTION | **PART NUMBER**
 5 pin power / signal wire | AL-ID5P-xx"-W/L



Wire color	Description
● Black	AC_L
○ White	AC_N
● Green	Ground
● Brown	1~10V+ or DMX+
● Blue	1~10V- or DMX-

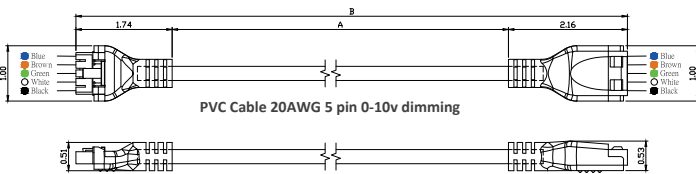


5Pin Female

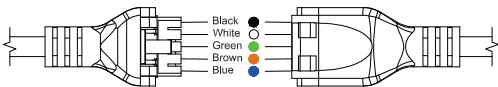


JUMPER CABLE

DESCRIPTION | **PART NUMBER**
 5 pin power / signal jumper | AL-ID5P-xx"-J

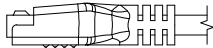


Wire color	Description
● Black	AC_L
○ White	AC_N
● Green	Ground
● Brown	1~10V+ or DMX+
● Blue	1~10V- or DMX-



5Pin Female

5Pin Male



JUNCTION BOX - POWER AND CAT5 SIGNAL SPLITTER

JUNCTION BOX

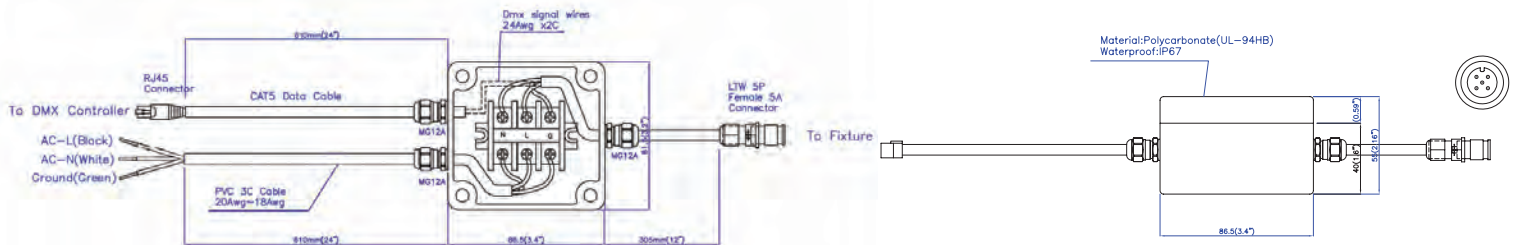
ID5A-DMX-3WB1

INPUT

24" PVC Cat5 Cable for DMX Data 24"
PVC Cable (3 leads) for AC Power

OUTPUT

12" Cable w 5P Female 5A Connector



JUNCTION BOX-AC POWER AMPLIFIER FOR LONG RUN LENGTHS

JUNCTION BOX

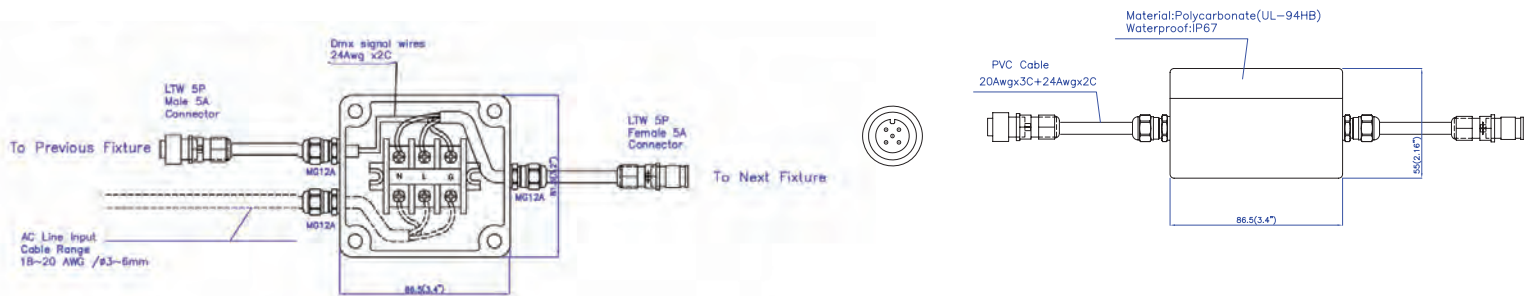
ID5A-DMX-3WB2

INPUT

12" PVC Cable w/ 5P Male 5A Connector

OUTPUT

12" PVC Cable w/ 5P Female 5A Connector



JUNCTION BOX - POWER AND WIRE LEAD SIGNAL SPLITTER

JUNCTION BOX

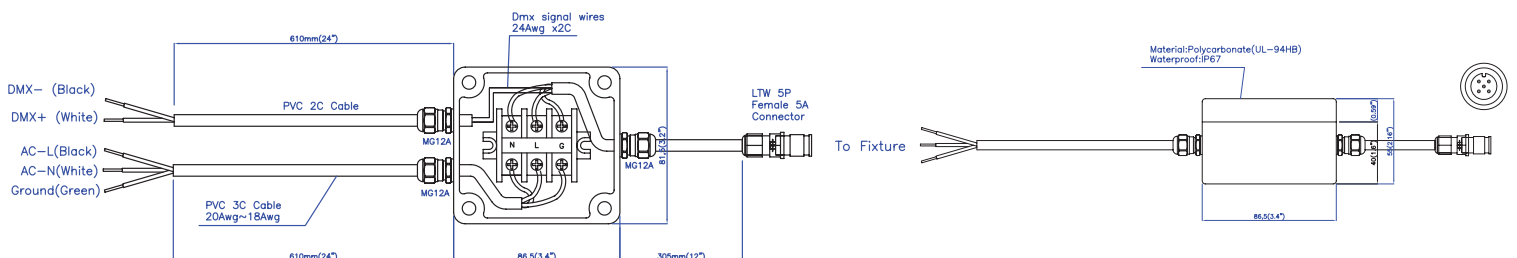
ID5A-DMX-3WB1

INPUT

24" PVC Cable (2 leads) for DMX Data
24" PVC Cable (3 leads) for AC Power

OUTPUT

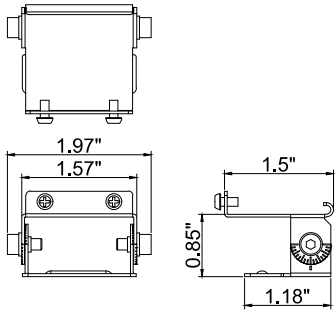
12" Cable w 5P Female 5A Connector



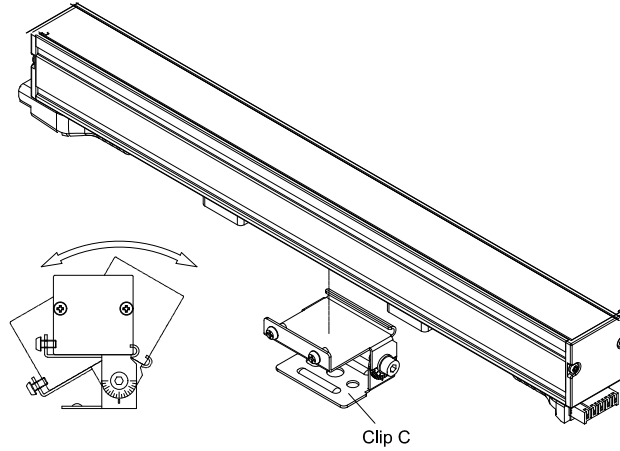
MOUNTING BRACKETS

ADJUSTABLE BRACKETS

DESCRIPTION | **PART NUMBER**
 HB30i Adjustable Bracket | AL-ID30 ADJ.Bracket

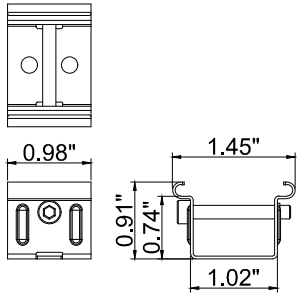


Clip C

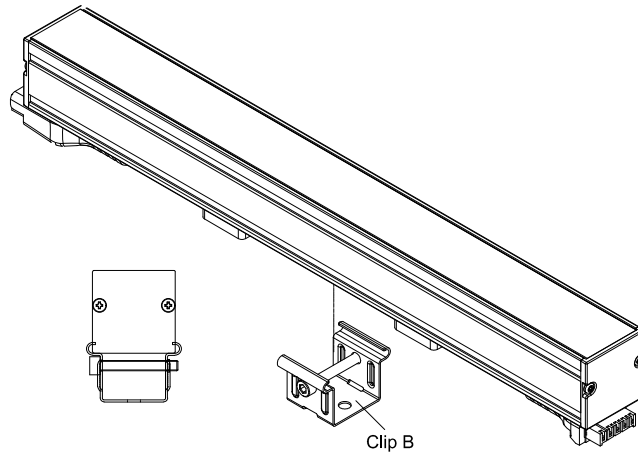


FLAT BOTTOM FEED BRACKETS

DESCRIPTION | **PART NUMBER**
 HB30 Flat Bracket - bottom wire feed | AL-ID30-Flat Bracket

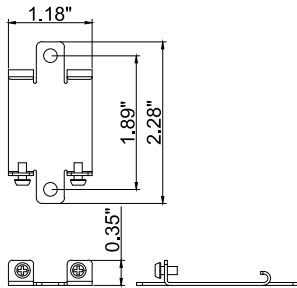


Clip B

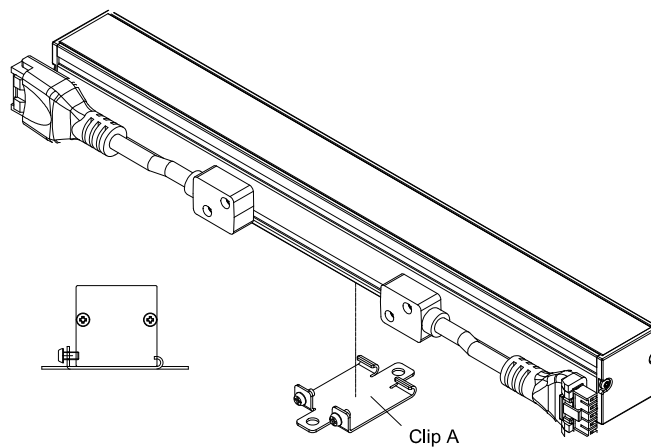


FLAT SIDE FEED BRACKETS

DESCRIPTION | **PART NUMBER**
 HB30 Flat Bracket - side wire feed | AL-ID30-FSF Bracket



Clip A



SURGE PROTECTION DEVICE

SURGE PROTECTION

DESCRIPTION | **PART NUMBER** | The use of a surge protection device is necessary to maintain your warranty. Specifications are subject to change without notice.

Surge Protection Device | AL-LSP-UNV

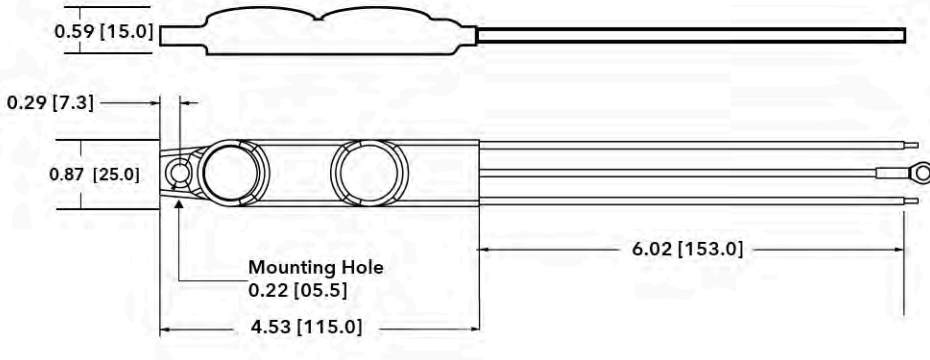
SPECIFICATIONS

Input Voltage	120-277V (+/- 5%)		
Frequency	50Hz-60Hz		
Maximum Continuous Voltage	320V		
Maximum Discharge Current	L-N 20kA; L-G, N-G 10kA (8/20Qs standard wave)		
Nominal Discharge Current	5kA		
Measured Limiting Voltage (VpK)	L-N	L-G	N-G
	1200	1320	1320
Max Case Temperature	85°C		

PULSE RATING (8 X 20 SEC)		
Surge Level	# of Strikes	
	L-N	L-G, N-G
10,000A	*2	1
6,500A	4	2
5,000A	30	15
2,000A	200	100
700A	20000	1000

*1 strike at 20,000A

MECHANICAL DIMENSIONS : IN (MM)



WIRING DIAGRAM

