

**SmartLights Modular Railing Systems**

**Round Stainless Illuminated Handrail**

**Application**

Smartlights by Smart Railing is a Modular System for use in interior or exterior commercial and residential applications. Perfect for a new or retrofit application. The LED illuminated handrail produces a continuous stream of light adding safety and atmosphere. All wiring is concealed. The LEDs are simple to install and click into place. The 24v or 48v system uses IP67 LED's for outdoor and IP20 LED's for indoor applications. Dimmable power supplies make this ideal for darker interior applications such as theaters and concert halls. The system is UL listed.

**Railing**

Smartlights Round is available in 304 or 316 stainless steel in 1.9" and 1.66" diameter. Depending on railing system, this can be wall mounted, post mounted or glass mounted. Choose from frosted or clear lens. Infill choices include cables, glass or bars. The railing provides a seamless look and is vandal resistant. Railing solutions require no welding and can be used on stairs, ramps balconies and more. We have both indoor and outdoor solutions.

The Round illuminated cap rail is wall or post mounted. Cable duct is integrated for the LED strips. Choose from a variety of handrail brackets and post tube adapters as well as transparent or frosted lenses. The circular handrail meets the ADAAG (Americans with Disability Act Accessibility Guidelines).

**LEDS**

LED Strips are recessed into the underside of the handrail. The LED Strips are part of the 24v system, rated up to 60,000 hours and produce 125, 250, or up to 500 lumens per foot.

**24v Driver**

Input voltage: 120/277vac  
 Output voltage: 24vdc  
 Wattage: 96w, 60w, 30w  
 Control: 0-10V dimming  
 Damp and Dry location rated  
 UL Class 2 output for safe operation  
 Input frequency: 50/60Hz

**Installation**

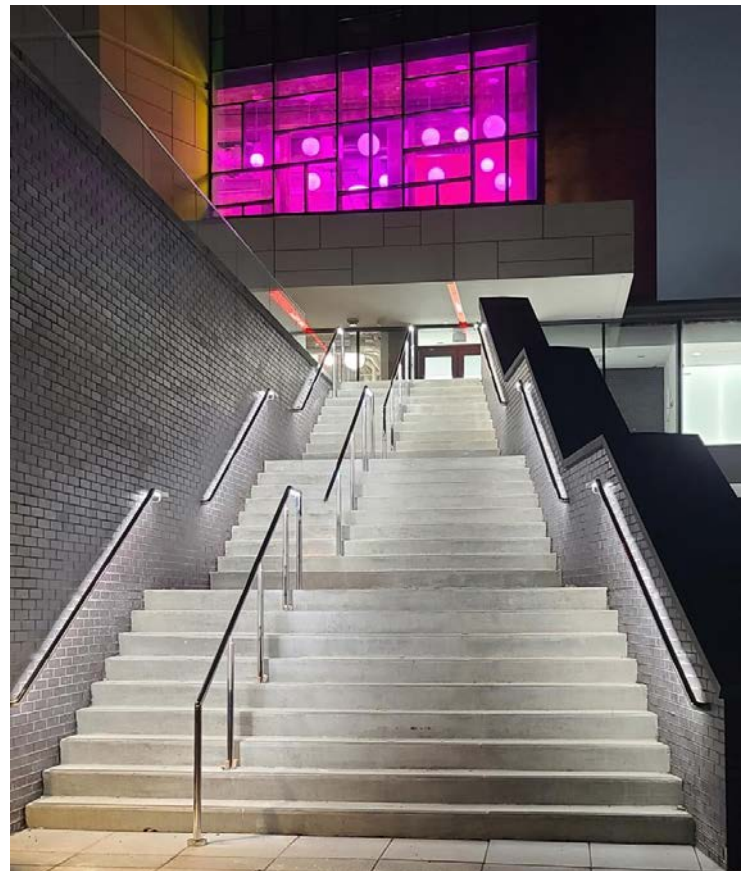
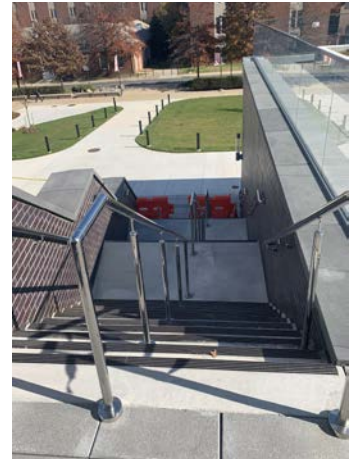
The Smartlights system is modular and designed for simple assembly and installation.

**Certifications**

UL, cULus, ANSI, ADA

**How to Specify**

The Smart railing systems are modular and each system is custom designed for your specific project requirements. Cap rails come in 16'-4" lengths and are cut in the field to ensure proper fit. We require drawings with dimensions and complete description of railing requirements to create the proper BOM for your project.



# ROUND ILLUMINATED HANDRAIL

Date: \_\_\_\_\_

Type: \_\_\_\_\_

Project: \_\_\_\_\_

Firm: \_\_\_\_\_

## SPECIFYING FORM

### CREATE YOUR RAILING

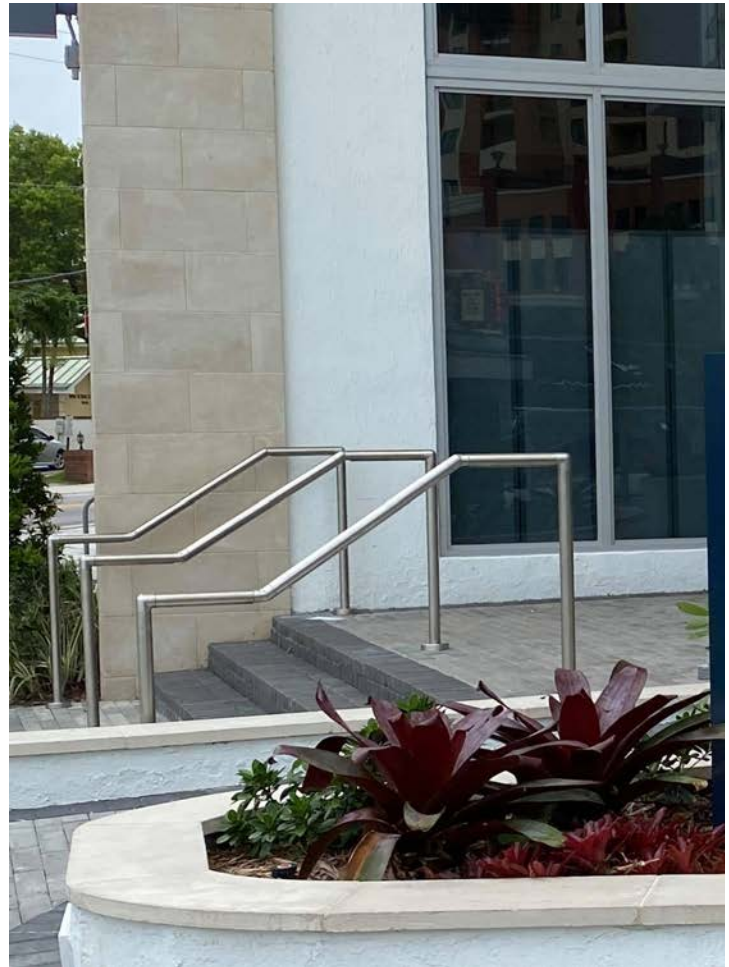
Ex. IR316-1.9-PM-40-2.4-F-24-N

TYPE		DIAMETER		MOUNTING		CCT	
IR316	Round 316 Stainless	1.9"	1.9" diameter	PM	Post mounted	27	27k
IR304	Round 304 Stainless	1.66"	1.66" diameter	PMC	Concrete embedded post	30	30k
				WM	Wall mounted	35	35k
						40	40k
						50	50k

WATTAGE		LENS		VOLTAGE		INFILL	
1.4	1.4w/ft	F	Frosted	24	24v	N	None
2.4	2.4w/ft	C	Clear			C	Cable
4.6	4.6w/ft					B	Bars
						G	Glass

\* glass by others



# ROUND ILLUMINATED HANDRAIL

Date: .....

Type: .....

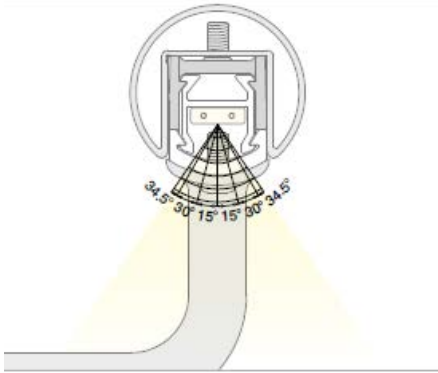
Project: .....

Firm: .....

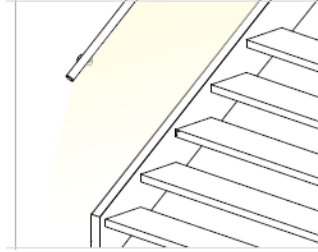
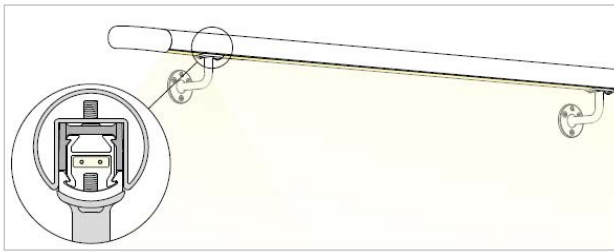
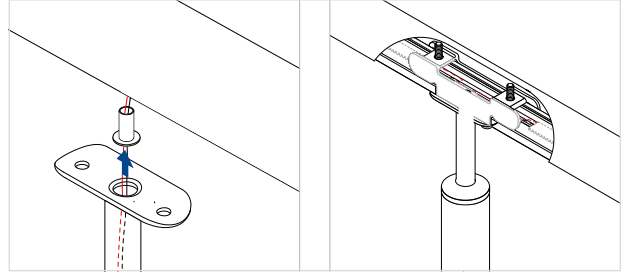
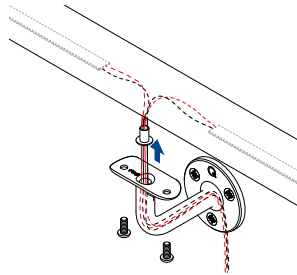
## SPECIFYING FORM

### Modular Railing Systems

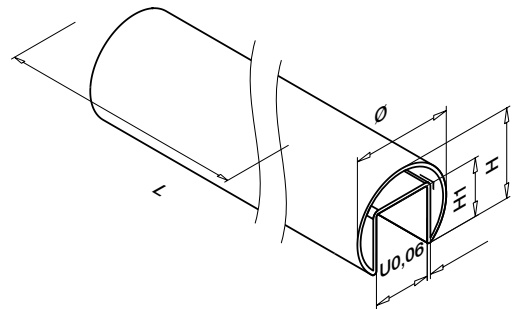
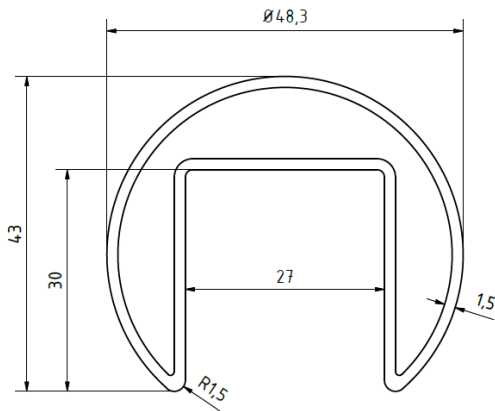
#### Symmetric Light output



#### Concealed Wires



#### Profiles



# ROUND ILLUMINATED HANDRAIL

Date: .....

Type: .....

Project: .....

Firm: .....

## COMPONENT EXAMPLES

### Handrail Mounting and Bracket options



Adjustable Post Mount



Fixed Post Mount



Wall mount bracket



Glass mount bracket

### Corner and Stairway options



90° Connectors



Adjustable Connectors for Stairs



Tube to Cap Rail Connectors

### End and Return options



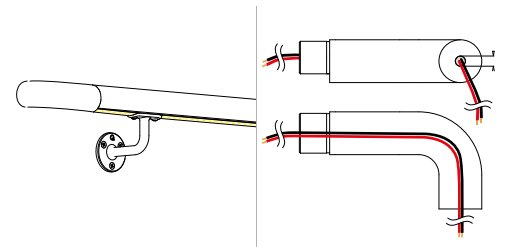
End Fitting



End Cap



Wall Return



### Infill options



Bar Infill



Cable Infill



Glass Infill Clamp



Glass Infill Clamp

# ROUND ILLUMINATED HANDRAIL

Date: .....

Type: .....

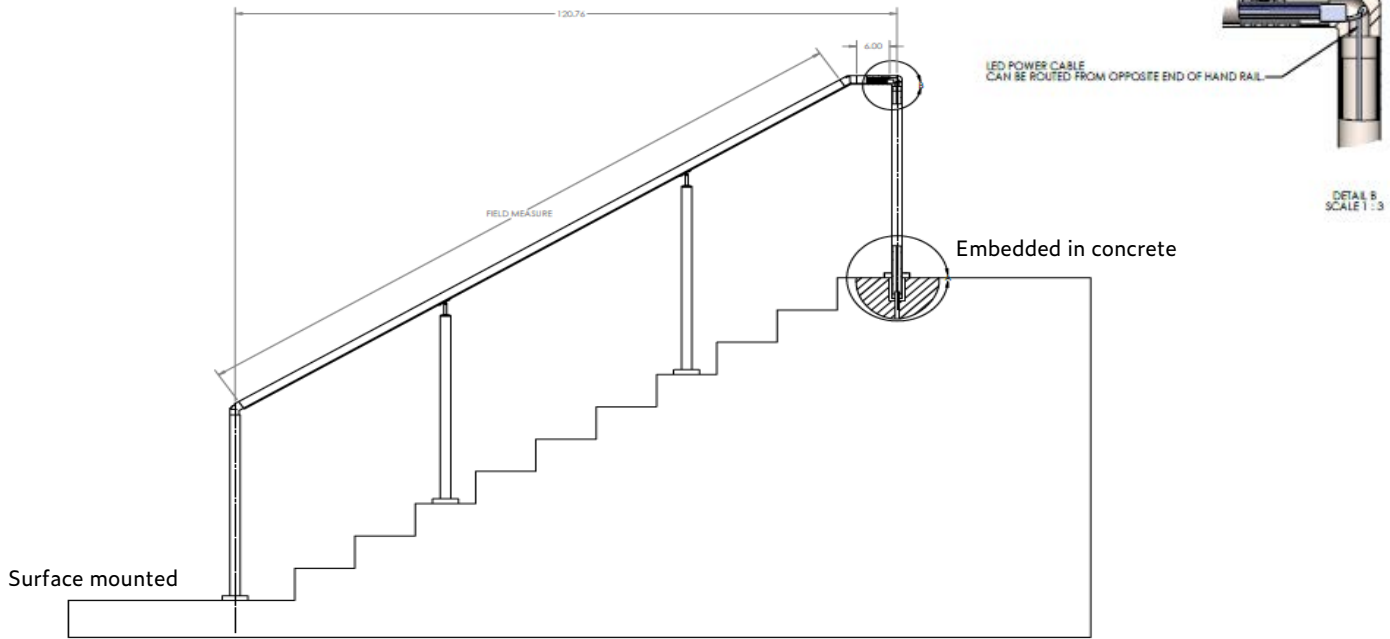
Project: .....

Firm: .....

## RAILING EXAMPLES

### Modular Railing Systems

#### POST MOUNTED STAIRWAY EXAMPLE



#### WALL MOUNTED STAIRWAY EXAMPLE

