

Grid-Connect Series

Linear LED Grid System



Features

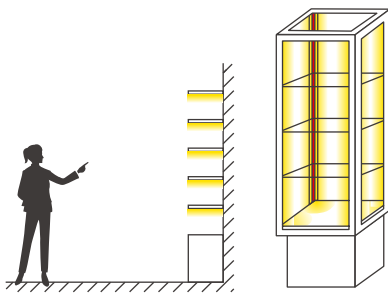
The Grid-Connect Series is a uniform, dot-free, and easy-to-install linear LED fixture. The GC Series supports rigid split joints (or soft jumper linking) for up to 26.2 feet of run length in seamless connection with consistent, even illumination. Fast and simple assembly (derived from a DIY concept) with our patented design. Suitable for installation in closet storage area of clothes. Surface or flush mounting by magnet, magnet/metal sheet (for non-metal surfaces), standard bracket, or angled bracket. Multiple lengths, shapes, mounting styles, and color temperatures ensure limitless design capabilities. Dimmable options available using standard in-line touch dimmer, or other PWM dimmers. PIR sensor and hand scanning sensor available. 50,000h lifespan, 5 years warranty, CE, UL, RoHS approval.

Suitable for installation in closet storage area of clothes.

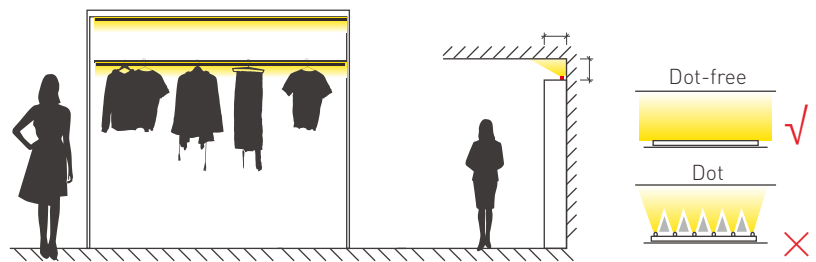


Application

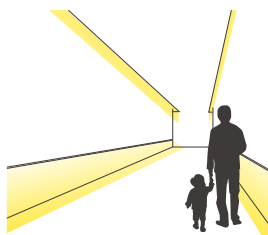
The Grid Connect Series is perfect for Show Cases, Stock Shelves, Retail, Supermarkets, Corridors, Closets, Decorative projects, and many other applications.



Shelf, Cabinet, Showcase



Wardrobe, Closet, Cove



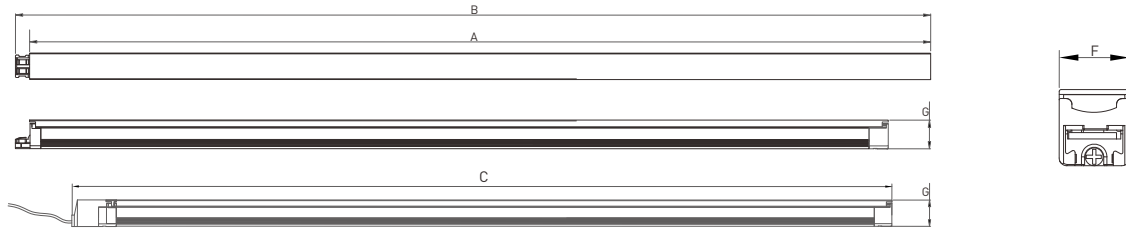
Corridor, Rail



Retail, Supermarket, Decoration

Specification Dimension / Diagram

Grid-Connect Series



Part No.	Dimension	A (Lighting area)	B (Overall length)	C (Power plug included)	F (Width)	G (Height)
GC-4-xxK-24V	L3.94xW0.43XH0.46in.	3.94in.	4.18in.	4.72in.	0.43in.	0.46in.
GC-8-xxK-24V	L7.87xW0.43XH0.46in.	7.87in.	8.11in.	8.66in.		
GC-12-xxK-24V	L11.8xW0.43XH0.46in.	11.8in.	12.1in.	12.6in.		
GC-23-xxK-24V	L22.8xW0.43XH0.46in.	22.8in.	23.1in.	23.6in.		
GC-35-xxK-24V	L34.6xW0.43XH0.46in.	34.6in.	34.9in.	35.4in.		
GC-46-xxK-24V	L46.5xW0.43XH0.46in.	46.5in.	46.7in.	47.2in.		
GC-58-xxK-24V	L58.3xW0.43XH0.46in.	58.3in.	58.5in.	59in.		

General Parameters

Part No.	Dimension	LED Type	LED Q'ty	Color/Material	Installation Method	IP Rating	Operating Ambient	Lifespan	Warranty
GC-4-xxK-24V	L3.94xW0.43XH0.46in.	Samsung	21 pcs	Aluminum base+ PC milky cover	Surface or flush mounting by magnet/magnet +metal sheet/bracket	IP20 (Dry)	Ta: -4~113°F	50,000H (L70@ Tc≤65°C [149°F] Tc is the temp. of LED pin.	5 years
GC-8-xxK-24V	L7.87xW0.43XH0.46in.		42 pcs						
GC-12-xxK-24V	L11.8xW0.43XH0.46in.		63 pcs						
GC-23-xxK-24V	L22.8xW0.43XH0.46in.		126 pcs						
GC-35-xxK-24V	L34.6xW0.43XH0.46in.		189 pcs						
GC-46-xxK-24V	L46.5xW0.43XH0.46in.		252 pcs						
GC-58-xxK-24V	L58.3xW0.43XH0.46in.		315 pcs						

Photoelectric Parameters

Part No.	Power ±10%	Operating Voltage	PF	CCT / Wavelength	Luminous Flux±10% (3500K/4000K/5000K)	Luminous Efficiency (3500K/4000K/5000K)	CRI	Beam Angle
GC-4-xxK-24V	0.7W	DC24V	/	2700K±150K 3000K±150K 3500K±200K 4000K±200K 5000K±300K (3 SDCM)	49lm	70lm/W	≥90	120°
GC-8-xxK-24V	1.5W				105lm			
GC-12-xxK-24V	2.2W				154lm			
GC-23-xxK-24V	4.7W				329lm			
GC-35-xxK-24V	7W				490lm			
GC-46-xxK-24V	9.4W				658lm			
GC-58-xxK-24V	11.8W				826lm			

Note 1: Luminous flux difference, for CCT 2700K is 10% lower; for CCT 3000K is 5% lower, compared with CCT 3500K/4000K/5000K.

Note 2: MacAdam ellipse color bin in 3-SDCM definition, for CCT 2700K is Cx=0.4632, Cy=0.4105, Major Axis=0.0081, Minor Axis=0.0042, Ellipse Rotation Angle=53.7°; for CCT 3000K is Cx=0.4349, Cy=0.4006, Major Axis=0.00834, Minor Axis=0.00408, Ellipse Rotation Angle=53.22°; for CCT 3500K is Cx=0.4126, Cy=0.3928, Major Axis=0.00927, Minor Axis=0.00414, Ellipse Rotation Angle=54°; for CCT 4000K is Cx=0.3857, Cy=0.3816, Major Axis=0.00939, Minor Axis=0.00402, Ellipse Rotation Angle=53.72°; for CCT 5000K is Cx=0.3508, Cy=0.3599, Major Axis=0.00822, Minor Axis=0.00354, Ellipse Rotation Angle=59.62°.

Grid-Connect Series

GRID-CONNECT SERIES ORDERING INFORMATION

Ordering

Example: GC-23-40K-24V

Part No.	Length		CCT		Voltage	
GC	4	4"	27K	2700K	24V	24 Volt
	8	8"	30K	3000K		
	12	12"	35K	3500K		
	23	23"	40K	4000K		
	35	35"	50K	5000K		
	46	46"				
	58	58"				



GC-CLK-xxK-CNR Clockwise Corner Fixture



GC-CNTR-xxK-CNR Counter-Clockwise Corner Fixture



GC-IN-xxK-CNR Corner-In Fixture



GC-OUT-xxK-CNR Corner-Out Fixture



GC-T-xxK-24V "T" Shaped Fixture



GC-PLUS-xxK-24V "+" Shaped Fixture

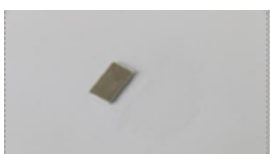
Mounting Options



GC-STD-BRACKET Mounting Bracket (Rec. 1 kit per 3")



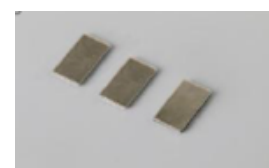
GC-ANG-BRACKET 45 Degree Bracket



GC-1PC-MAGNET



GC-2PC-MAGNET



GC-3PC-MAGNET

Magnet-socket metal sheet. Select 1 piece for 2", 2 pieces for up to 12", and 3+ for 23" or longer

Grid-Connect Series

GRID-CONNECT SERIES ORDERING INFORMATION, WIRING AND POWER SUPPLY



GC-5-WL-WFP 5.9" Power Cable w/Female Pin Connector



GC-59-WL-WDCFWFP 59" Power Cable with DC5.5 Female Connector and Female Pin Connector



GC-5-WL-WDCFWFP 5.9" Power Cable with DC5.5 Female Connector and Female Pin Connector



GC-5-WL-WMAFP 5.9" Power Cable with Male and Female Pin Connectors



GC-39-WL-AMPMP 39" Power Cable AMP Male Plug



GC-11-SPLIT3 3-way Splitter with 11" cable



GC-11-SPLIT4 4-way Splitter with 11" cable

Recommended Power Supplies

Dimmable with 0-10v, ELV, MLV, TRIAC

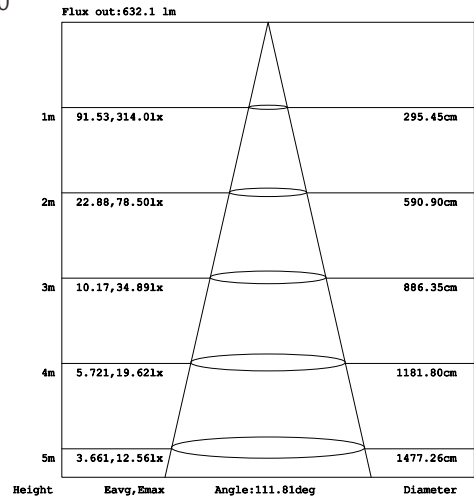
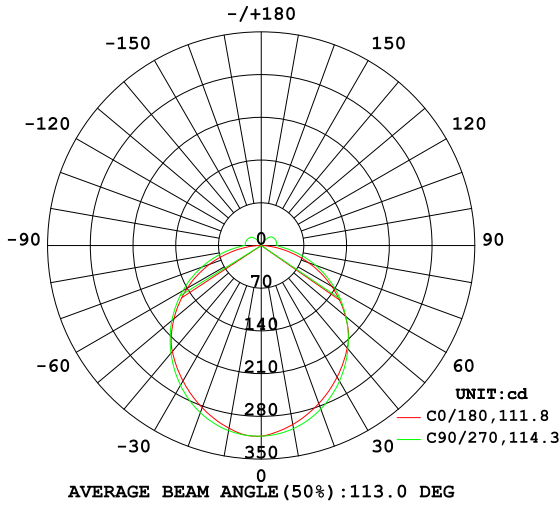


Item Number	Description	Max/Min Load	Input Voltage	Output Voltage	Dimmable	Dimensions
PS-TSLC-UNV-24V-30WDHV2	30W	30W / 3W	100-277V AC	24V DC	Yes*	6.49"L x 3.6"W x 1.02"H
PS-TSLC-UNV-24V-60WDHV2	60W	60W / 6W	100-277V AC	24V DC	Yes*	7.4"L x 3.6"W x 1.02"H
PS-TSLC-UNV-24V-96WDHV2	96W	96W / 9.6W	100-277V AC	24V DC	Yes*	8.66"L x 3.6"W x 1.61"H
PS-TSLC-UNV-24V-288WDHV2	288W (3 x 96W)	288W / 28.8W	100-277V AC	24V DC	Yes*	11.85"L x 4.25"W x 1.8"H

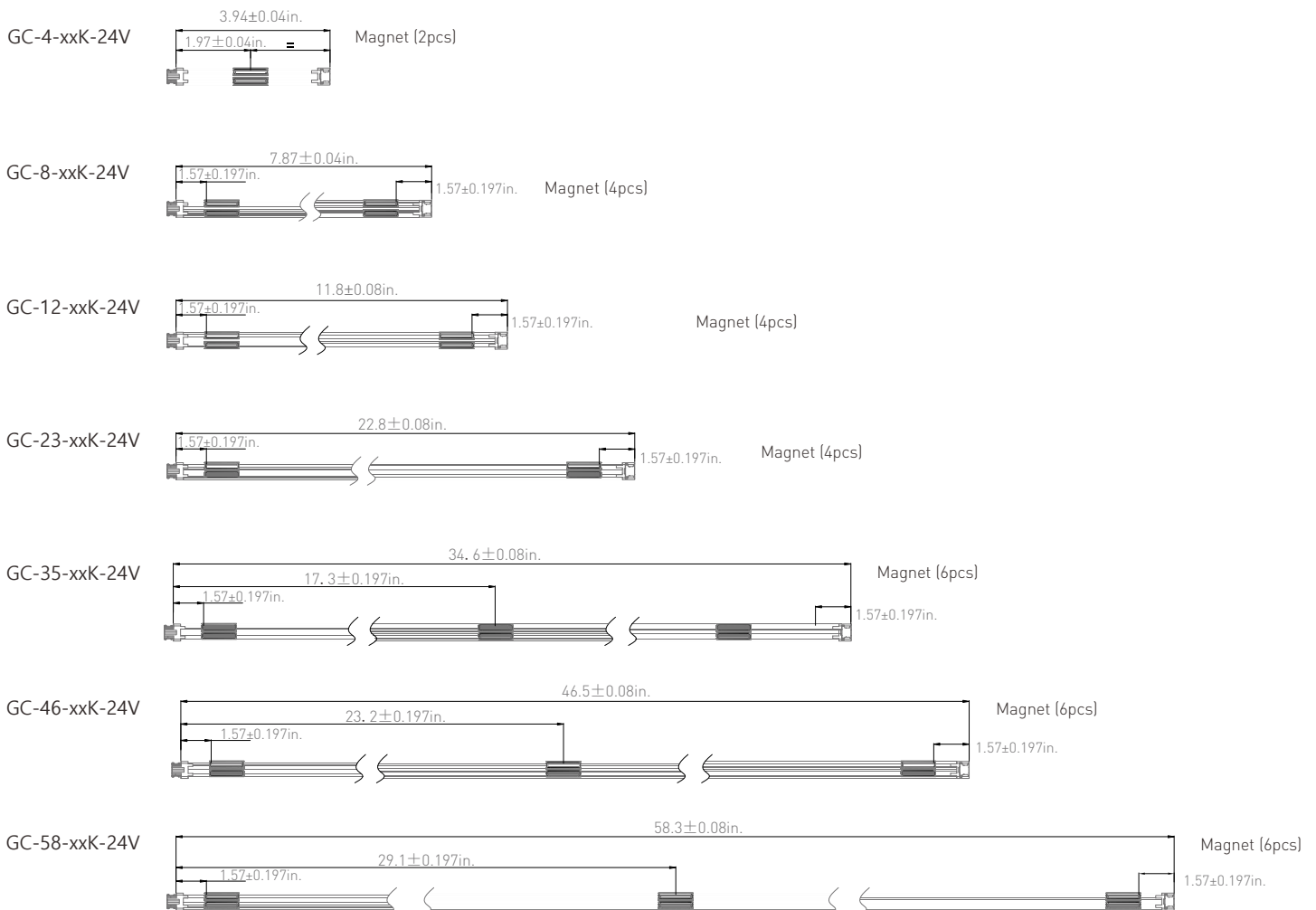
Grid-Connect Series

Light Distribution Diagram

GC-58-xxK-24V 4000K CRI90

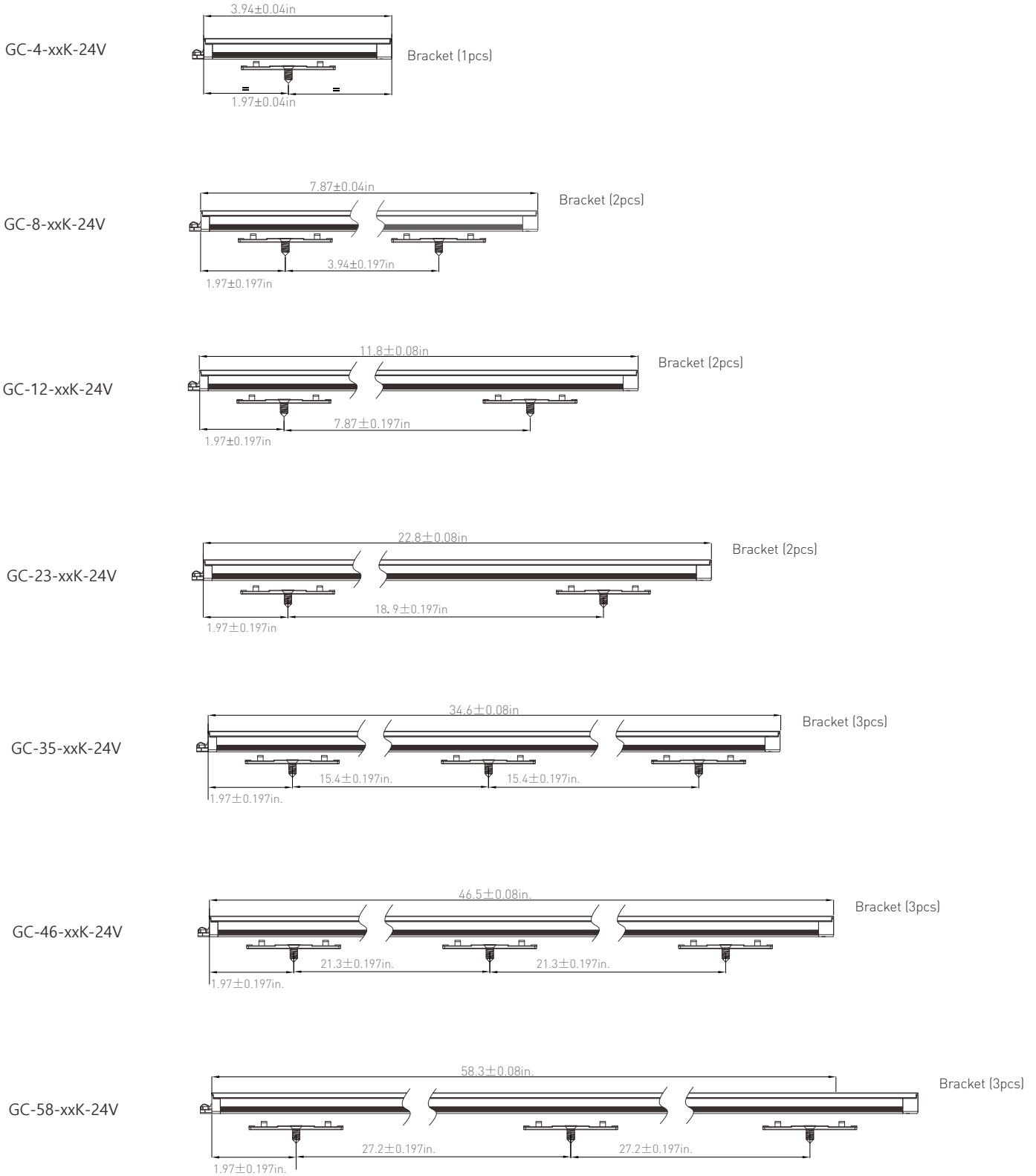


Magnet Orientation Diagram



Grid-Connect Series

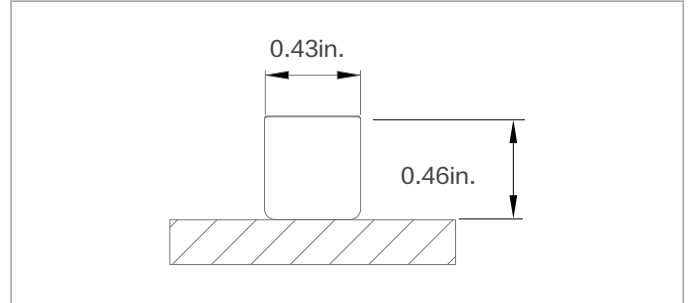
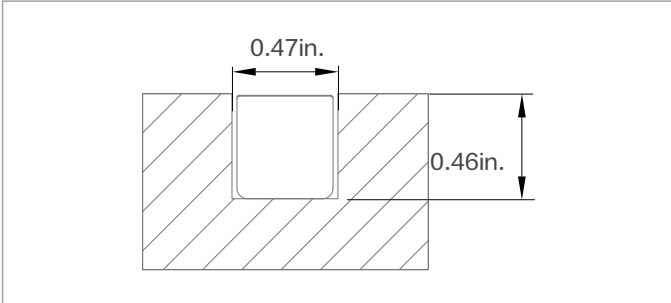
Bracket Orientation Diagram



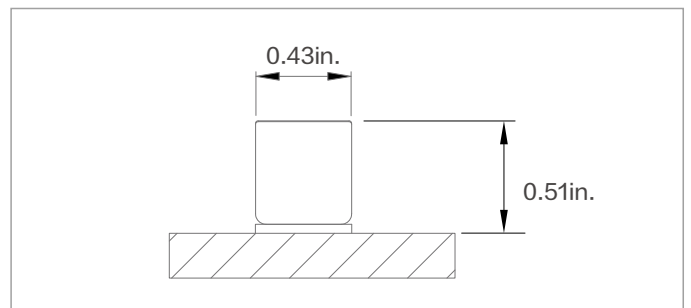
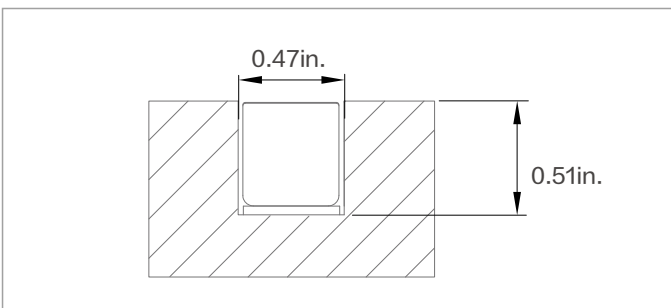
Grid-Connect Series

Installation Instruction

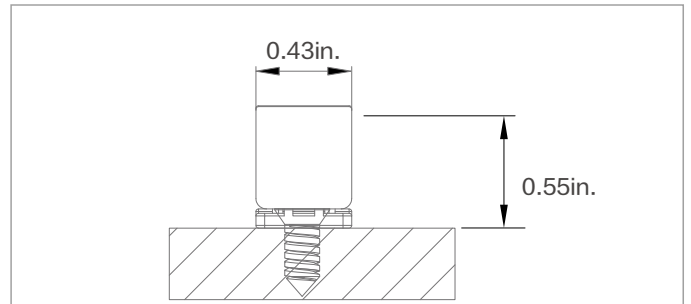
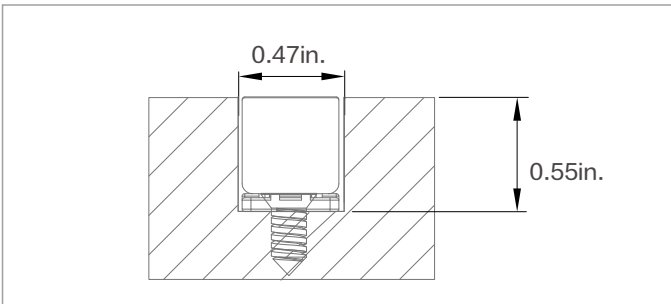
1. Flush or surface mounting by magnet, for metal surface.



2. Flush or surface mounting by magnet+metal sheet, for nonmetal surface.



3. Flush or surface mounting by bracket, for nonmetal surface.



Installation Accessory



GC-xPC-MAGNET
 Metal Sheet + Tape
 (Indicate 1, 2, or 3 pieces
 based on housing length)



GC-STD-BRACKET
 Bracket + Screw



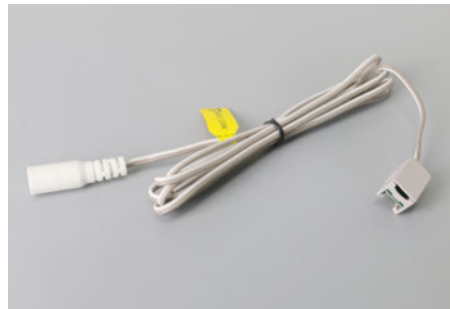
GC-ANG-BRACKET
 45° angled bracket

Grid-Connect Series

Connection Accessory



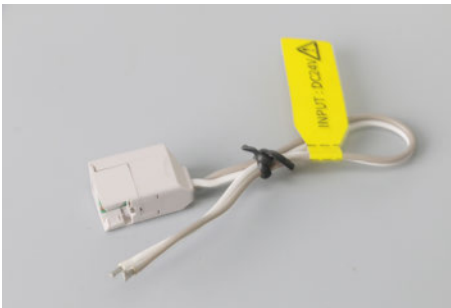
GC-39-WL-AMPMP
 39" power cable + AMP male plug



GC-59-WL-WDCFWFP
 59" Power Cable + DC Jack



GC-5-WL-WDCFWFP
 5.9" Power Cable + DC Jack



GC-5-WL-WFP
 5.9" Power Cable + Open End
 (White : positive+, Gray : negative-)



GC-5-WL-WMAFP
 5.9" Jumper



GC-ENDCAP
 End Cap



GC-5-PORT6
 6-ports distribution box with AMP
 female plug + 0.15m cable in open end
 (Max. 72W/24V)



GC-11-SPLIT3
 3-way white/black splitter
 with 11" cable (Max.72W/24V)



GC-11-SPLIT4
 4-way white/black splitter
 with 11" cable (Max.72W/24V)



GC-ILT-DIMMER
 In-line touch dimmer
 Option 1: stepless dimming 5%-100%
 Short touch for on/off, long touch for dimming
 Option 2: 3-step dimming 10%-50%-100%
 Short touch for different states off-10%-50%-100%-off
 (Max. 72W/24V in a row)



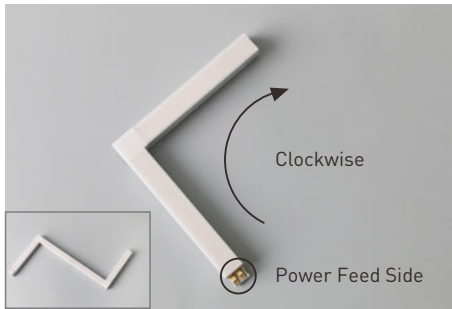
GC-IL-PR-SNSR
 In-line PIR Sensor
 Inductive distance is Max. 19.7ft.
 Inductive cone angle is Max. 120°
 Stay-on time is 30 seconds
 Overall height is 0.79in.
 (max. 72W / 24V in a row)



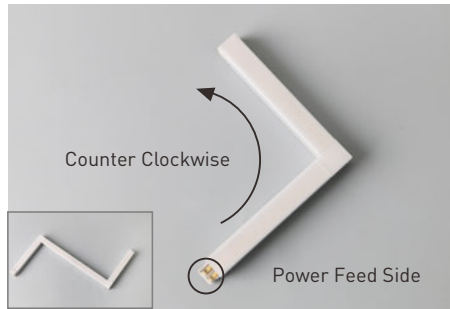
GC-IL-IRHS-SNSR
 In-line IR Hand Scanning Sensor
 Inductive distance is Max. 1.97in.
 Inductive cone angle is Max. 30°
 (max. 72W / 24V in a row)

Grid-Connect Series

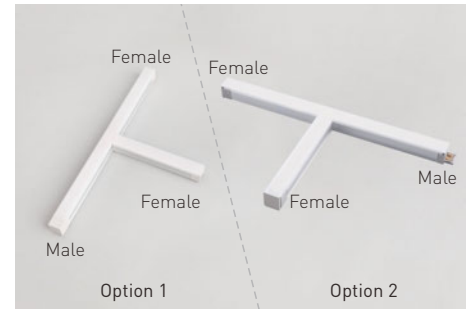
Connection Accessory



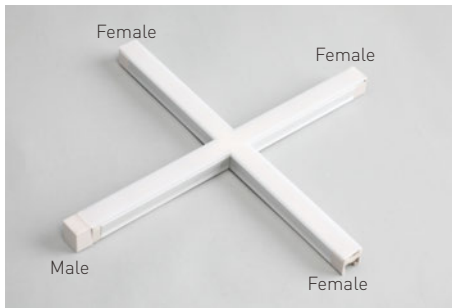
GC-CLK-xxK-CNR
 Clockwise Corner "L" Fixture
 (2.22W, 155lm, CRI90, Max. 26.2ft.)



GC-CNTR-xxK-CNR
 Counter-Clockwise "L" Fixture
 (2.22W, 155lm, CRI90, Max. 26.2ft.)



GC-T-xxK-24V
 "T" Fixture
 (3.55W, 260lm, CRI90, Max. 26.2ft.)



GC-PLUS-xxK-24V
 "+" Fixture
 (4.44W, 310lm, CRI90, Max. 26.2ft.)



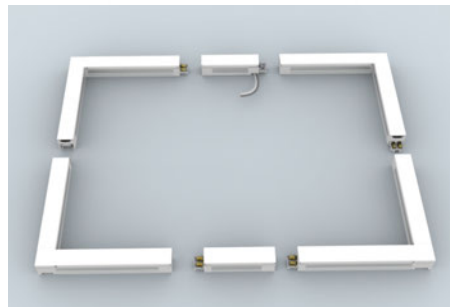
GC-IN-xxK-CNR
 Corner-in "L" Fixture
 (2.22W, 155lm, CRI90, Max. 26.2ft.)



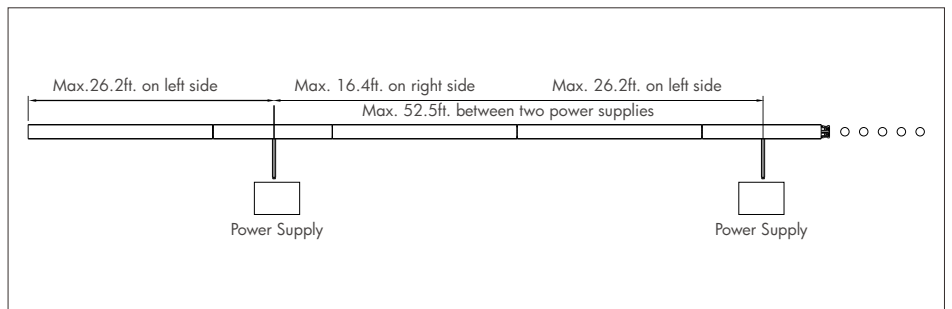
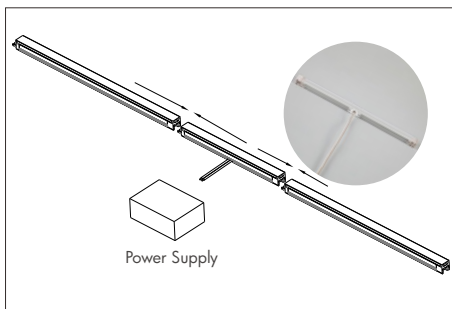
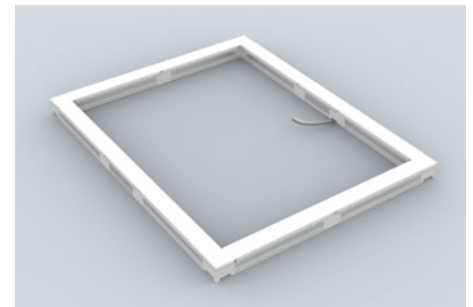
GC-OUT-xxK-CNR
 Corner-out "L" Fixture
 (2.22W, 155lm, CRI90, Max. 26.2ft.)



Side/bottom feed fixture + Open end
 (1.25W, 88lm, CRI90, Max.26.2ft.)



Square loop assembly diagram (power on side/bottom feed)



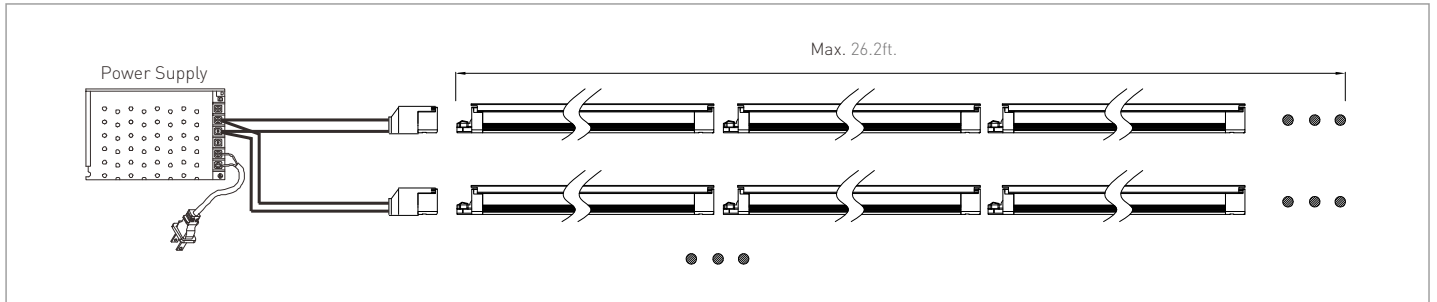
Side/bottom feed fixture + Open end

Length can be customized, the maximum splice length is 26.2ft. on its left and right side; and between two power supplies is 52.5ft.

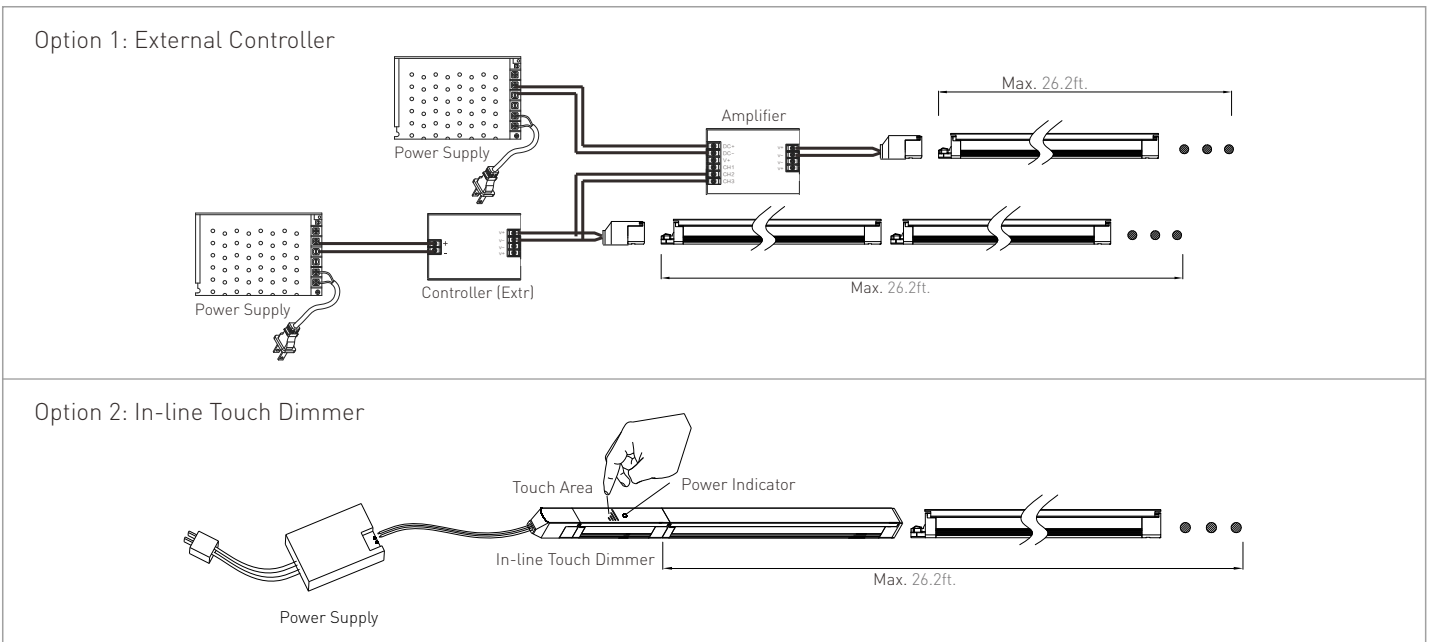
Grid-Connect Series

Connection

Non-dimmable Method



Dimmable Method



***To avoid flickering and buzzing, it is recommended to use a dimmer with an output PWM frequency of 10-20kHz.*