

HB308

EXTERIOR LINEAR LED LIGHTBAR

POWERFUL | COMPACT | LOW PROFILE
 4.25w/ft | 359lm/ft

Graze | Wall Wash | Accent | Signage | Cove Lighting

Enhance exterior architectural features with The Smart Lighting Company HB308 Series, an affordable, high-performance LED luminaire designed for specification-grade applications. Boasting a low-profile form, this fixture delivers 359 lumens per foot, making it ideal for precise wall grazing, washing, accent, sign illumination, and cove lighting. The HB308 comes equipped with a universal 100/277VAC integral driver and is available in four lengths, offering a range of color temperatures. It features Nichia bin-sorted LEDs, renowned for their quality and uniform illumination, highly valued by architects and lighting designers. The compact yet powerful HB308 is designed to fit in narrow spaces while providing even light distribution. Its extensive customization options include fixture length, color temperature, optics, mounting, and finishes. Installation is made effortless with an integral universal power supply, comprehensive thermal management, and a Plug and Play system for power connectivity. With a variety of mounting choices and accessories like powder-coated housing with integral glare shields or ground-post mounting, the HB308 stands as an ideal solution for precise outdoor lighting.



SPECIFICATIONS

PERFORMANCE

Output

4.25w/ft | 359lm/ft

Color Temperatures

22k, 27k, 30k, 35k, 41k, 50k, 65k, R, G, B, A

Beam Angles

15°, 30°, 45°, 120°, 30°x60°

LEDs per Foot

8

LED's

Nichia bin-sorted

Color Consistency

2 SCDM

CRI

85 std, 95 optional

ELECTRICAL

Input Voltage

100-277vac

Power Supply

Integral

Control

N/A

Heat dissipation

Full thermal management system

Connection

Quick connect plug and play system

Projected Lumen Maintenance

>90,000 hours

PHYSICAL

Fixture Length Options

12", 24", 36", 48"

Max Run Length

251ft@277vac, 109ft@120vac

Housing

Anodized extruded aluminum, tooled end caps

Lens

Polycarbonate

Fixture Finish (Standard)

Anodized aluminum

Powder Coated Finish (Optional)

Black, Bronze, White, CU

Standard Mounting

Stainless adjustable or flat brackets

Optional Mounting

Powder-coated housing | extended arms or ground post stakes

Operating Temperature

-40°F to 122°F, (-40°C to 50°C)

ENVIRONMENT AND WARRANTY

IP Rating

IP66

Environment

Dry, Damp or Wet locations
0-100% non-condensing humidity

Certifications

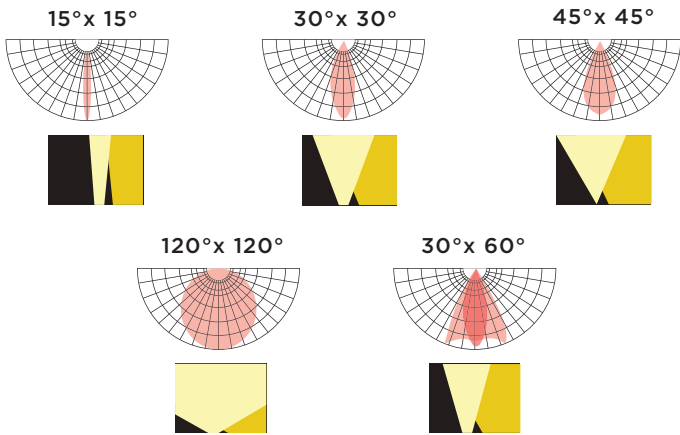
UL, cUL

Warranty

5 year limited warranty

SPECIFICATIONS

OPTICS



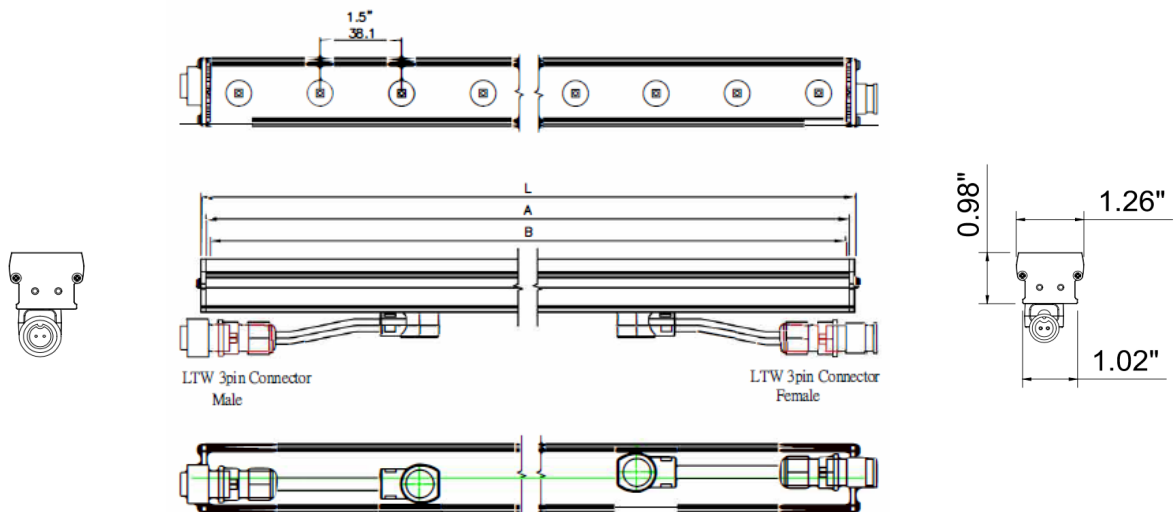
COLOR TEMPERATURES



DIMENSIONS AND DATA

4.25w/ft	Voltage	View Angle	Watts/ Fixture	Lumens/ Fixture	LEDs/ Fixture	Extrusion Length	Total Length
HB308-12-XXK-XXD-AC	100-277VAC	15°, 30°, 45°, 120°, 30°x60°	4.25w	359	8	L=305.9mm	L=306.8mm (12.1")
HB308-24-XXK-XXD-AC			8.5w	718	16	L=606.8mm	L=611.8mm (24.1")
HB308-36-XXK-XXD-AC			12.75w	1079	24	L=911.4mm	L=916.4mm (36.1")
HB308-48-XXK-XXD-AC			17w	1437	32	L=1216.2mm	L=1221.2mm (48.1")

PROFILE



ORDER FORM

CREATE YOUR FIXTURE

Ex. HB308-48-30K-15-AC-ND

MODEL	LENGTH	COLOR	OPTICS
HB308	12" 24" 36" 48"	22k 27k 30k 35k 41k 50k 65k	15 30 45 120 3060
4.25w/ft	12 inches 24 inches 36 inches 48 inches	2200k 2700k 3000k 3500k 4100k 5000k 6500k	15°x15° 30°x30° 45°x45° 120°x120° 30°x60°
		R G B A	Red Green Blue Amber
VOLTAGE	CONTROL		
AC	ND		
100-277vac	Non Dimming		

SELECT CONNECTION

Wire Lead

QTY	POWER	
	AL-HB3P-72"-W/L	72" (6ft) Wire lead 3pin
	AL-HB3P-xx"-W/L	xx" (CU) Wire lead 3pin

* 1 wire lead required for each run.

End Cap

QTY		
	AL-HB3P-ENDCAP	End cap for fixture output at end of run

* 1 End cap required at the end of each run.

Jumper Cable

QTY	POWER	
	AL-HB3P-12"-J	12" (1ft) jumper 3pin
	AL-HB3P-72"-J	72" (6ft) jumper 3pin
	AL-HB3P-xx"-J	xx" (CU) jumper 3pin

* Fixtures are end to end connected. Use jumpers if space is needed between fixtures.

SELECT MOUNTING

QTY	MOUNTING BRACKETS - 2 PER FIXTURE	
	AL-HB30-ADJ BRACKET	HB30 Adjustable bracket
	AL-HB30-FLAT BRACKET	HB30 Flat bracket

* Select flat brackets if fixture is mounted in powder coated housing

ADDITIONAL OPTIONS

Optional Powder Coated Finish

QTY	Powder coated finishes available for additional cost
	BK Black
	BZ Bronze
	WH White
	CU Custom

* Fixture housing is anodized aluminum standard

Surge Protection

QTY		
	LSP4-UNV	120/277v surge protector

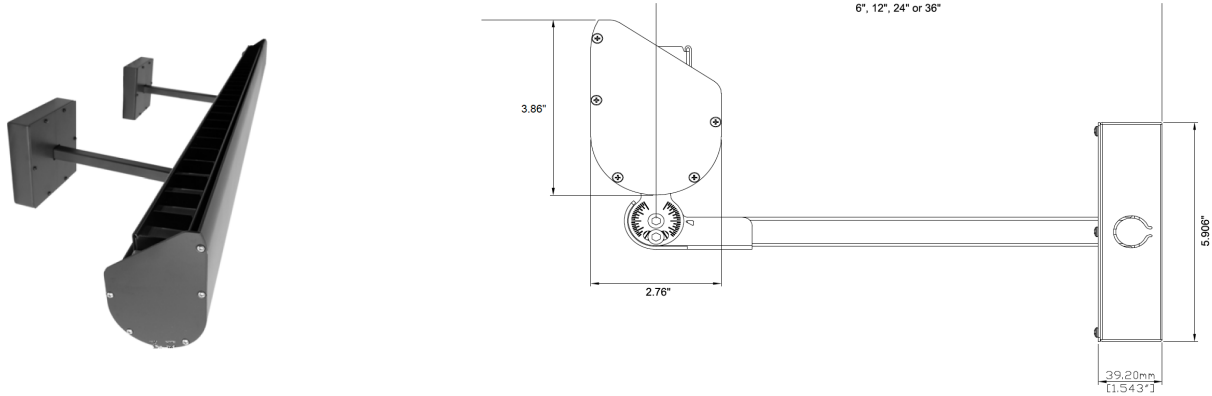
ORDER FORM

ADDITIONAL MOUNTING OPTIONS

Housing and Extended Arms

Fixture can be mounted in a powder coated housing with integral glare shield

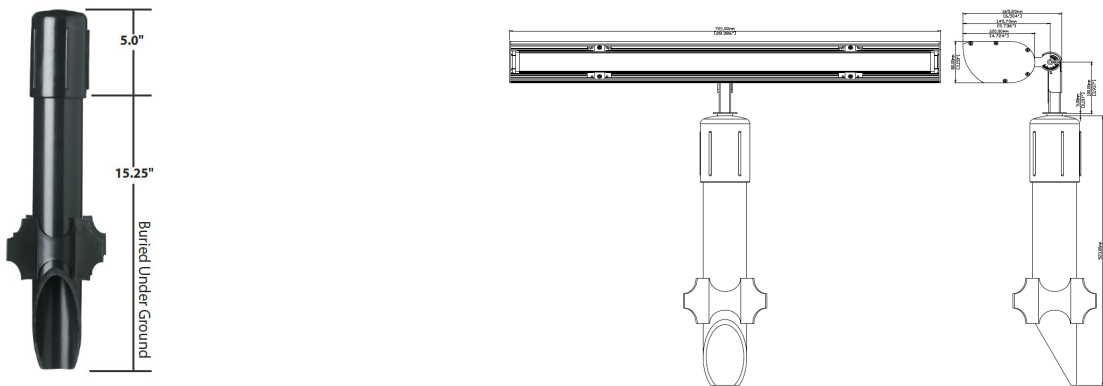
QTY	Housing	(L) Housing Length	(F) Finish	(A) Extended Arm Length
	HB30EXT-	12"	BK - Black	6"
		24"	BZ- Bronze	12"
		36"	WH - White	18"
		48"	SI - Silver	24"
			CU - Custom	36"
GPA (Ground Post Arm)				



Ground Posts

QTY **Select when using GPA above (1 per fixture for 12" & 24" housing and 2 for 36" & 48" housing)**
 HBEXT-GPS Ground post mount

1ft & 2ft extrusions require one HBEXT-GPS. 3ft & 4ft extrusions require two HBEXT-GPS.



GLARE PROTECTION

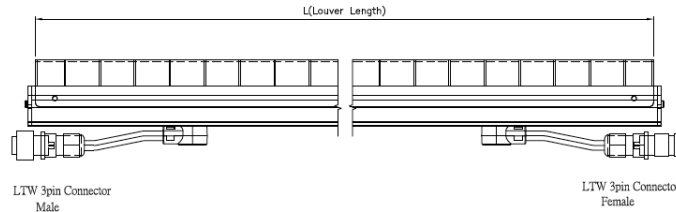
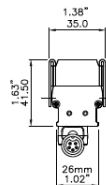
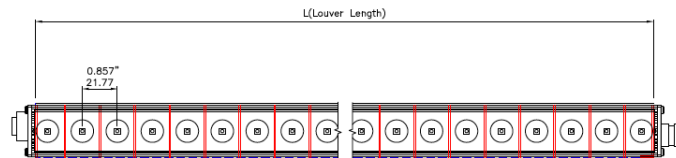
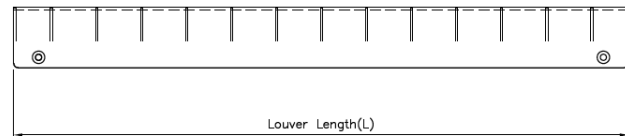
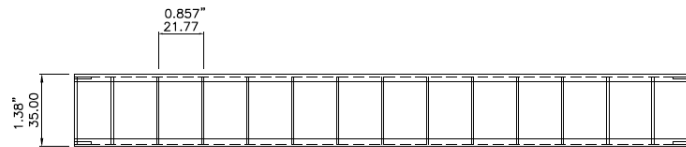
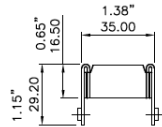
LOUVERS

Glare Control

Standard black finish powder coated louvers

QTY	Housing	(L) Housing Length	(F) Finish
	HB30-12" LOUVER	12"	BK - Black
	HB30-24" LOUVER	24"	BZ - Bronze
	HB30-36" LOUVER	36"	WH - White
	HB30-48" LOUVER	48"	SI - Silver
			CU - Custom

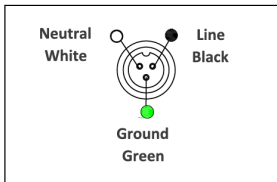
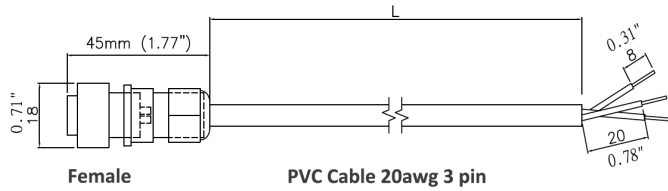
* Other powder coated finishes available for additional cost



WIRING OPTIONS

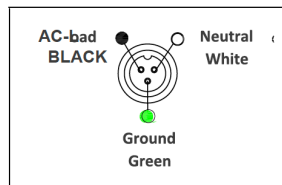
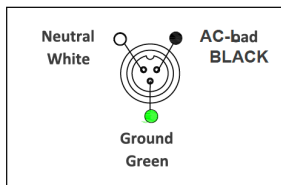
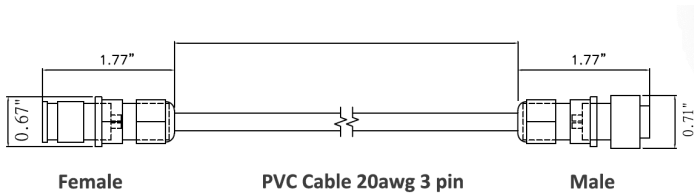
WIRE LEAD

DESCRIPTION	PART NUMBER
3 pin power wire	AL-HB3P-xx"-W/L



JUMPER CABLE

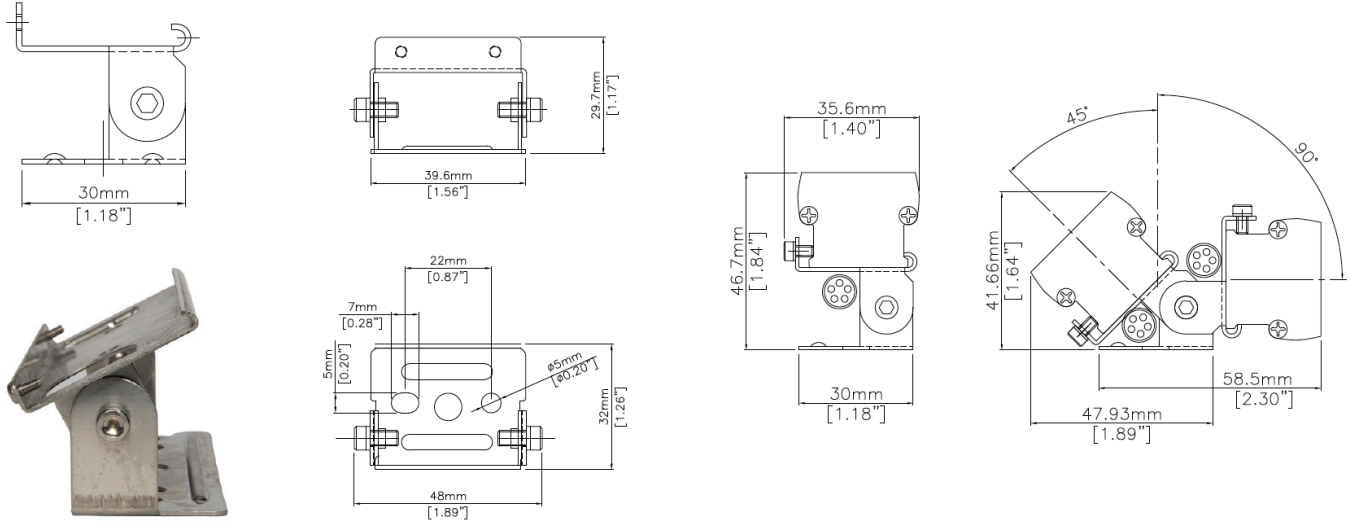
DESCRIPTION	PART NUMBER
3 pin power jumper	AL-HB3P-xx"- J



MOUNTING BRACKETS

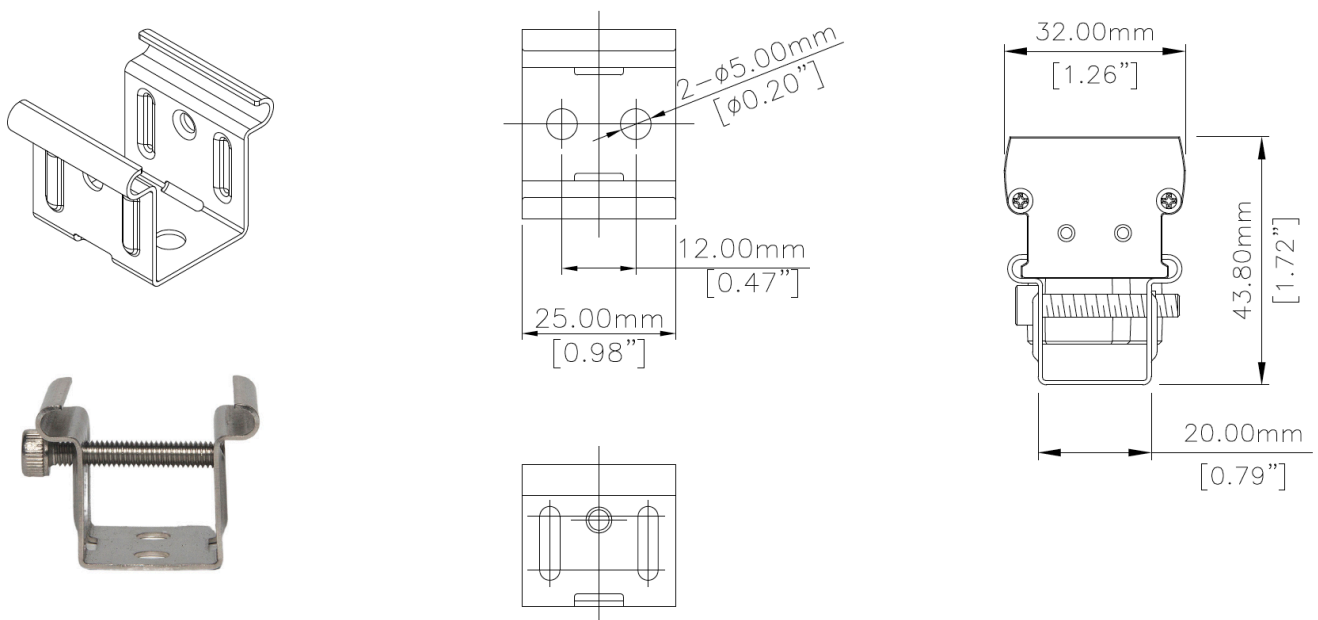
ADJUSTABLE BRACKETS

DESCRIPTION | **PART NUMBER**
 HB30 Adjustable Bracket | AL-HB30 ADJ.Bracket



FLAT BRACKETS

DESCRIPTION | **PART NUMBER**
 HB30 Flat Bracket | AL-HB30-Flat Bracket



SURGE PROTECTION DEVICE

SURGE PROTECTION

DESCRIPTION | **PART NUMBER** | The use of a surge protection device is necessary to maintain your warranty. Specifications are subject to change without notice.

Surge Protection Device | AL-LSP-UNV

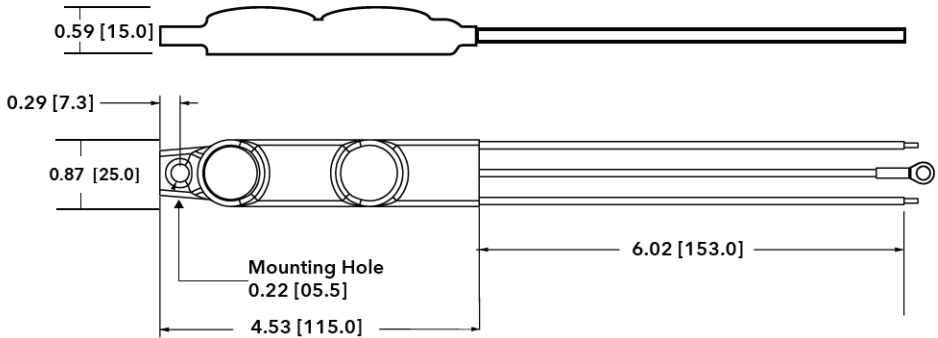
SPECIFICATIONS

Input Voltage	120-277V (+/- 5%)		
Frequency	50Hz-60Hz		
Maximum Continuous Voltage	320V		
Maximum Discharge Current	L-N 20kA; L-G, N-G 10kA (8/20Qs standard wave)		
Nominal Discharge Current	5kA		
Measured Limiting Voltage (VpK)	L-N	L-G	N-G
	1200	1320	1320
Max Case Temperature	85°C		

PULSE RATING (8 X 20 SEC)		
Surge Level	# of Strikes	
	L-N	L-G, N-G
10,000A	*2	1
6,500A	4	2
5,000A	30	15
2,000A	200	100
700A	20000	1000

*1 strike at 20,000A

MECHANICAL DIMENSIONS : IN (MM)



WIRING DIAGRAM

