



# KARMA HB40RP

POWERFUL | HIGH PERFORMANCE  
12w/ft - 975lm/ft



## LINEAR LED LIGHTBAR

Graze | Wall Wash | Cove | Facade Lighting

KARMA Series is a linear, high-performance LED luminaire designed for exterior architectural applications, delivering intense illumination in ranges between 5 and 45 feet. Fixtures can be row mounted, or standalone. With 975 lumens per foot, this fixture is adept at precise grazing, wall washing, cove, and flood lighting. The use of Nichia Bin sorted LEDs within a 2-step MacAdam ellipse ensures the high-quality, consistent illumination that architects and lighting designers demand. Engineered for efficiency, our optical lenses maximize light output while minimizing power consumption.

The KARMA features a universal 100-277VAC power supply with 0-10v dimming, and is available in five lengths, catering to a wide spectrum of color temperatures. Built to last, the KARMA boasts a durable extruded anodized aluminum housing with black powder coated finish, tooled end caps and IP66 rated Plug and Play connectors. With a range of mounting options, the KARMA is built for affordable long-lasting performance.



**SPECIFICATIONS**

**PERFORMANCE**

**Output**

12w/ft - 975lm/ft

**Color Temperatures**

18k, 22k, 25k, 27k, 30k, 35k, 41k, 50k,

R, G, B, A

**Beam Angles**

15°, 20°, 30°, 45°, 120°,

13°x17°, 30°x60°

**LEDs per Foot**

8

**LED's**

Nichia bin-sorted

**Color Consistency**

2 SCDM

**CRI**

83 std, 94 optional

**ELECTRICAL**

**Input Voltage**

100-277vac

**Power Supply**

Integral

**Control**

0-10v dimming

**Heat dissipation**

Full thermal management system

**Connection**

Quick-connect power & signal in 1 cable

**Projected Lumen Maintenance**

>90,000 hours

**PHYSICAL**

**Fixture Length Options**

10", 19", 28", 37", 46"

**Max Run Length**

12w - 90ft/277vac, 40ft@120vac

**Housing**

Anodized extruded aluminum, tooled end caps

**Lens**

Polycarbonate

**Fixture Finish (Standard)**

Black finish

**Powder Coated Finish (Optional)**

Bronze, White, CU

**Standard Mounting**

Stand alone or row mounted with stainless adjustable brackets

**Optional Mounting**

Extended arms (6", 12", 18") or ground post adapters

**Operating Temperature**

-40° F to 122° F, (-40° C to 50° C)

**ENVIRONMENT AND WARRANTY**

**IP Rating**

IP66

**Environment**

Dry, Damp or Wet locations

0-100% non-condensing humidity

**Certifications**

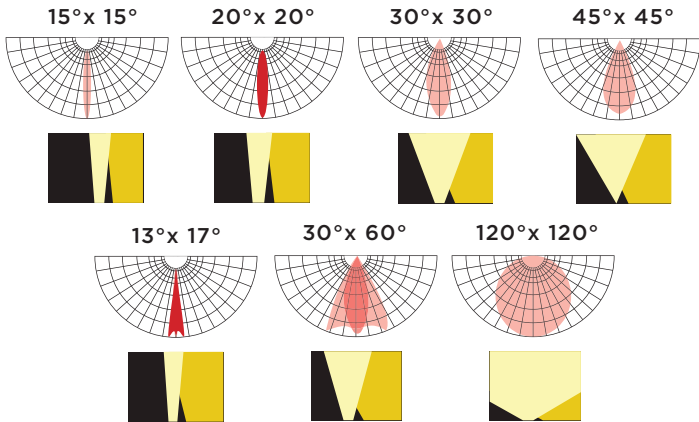
UL, cUL

**Warranty**

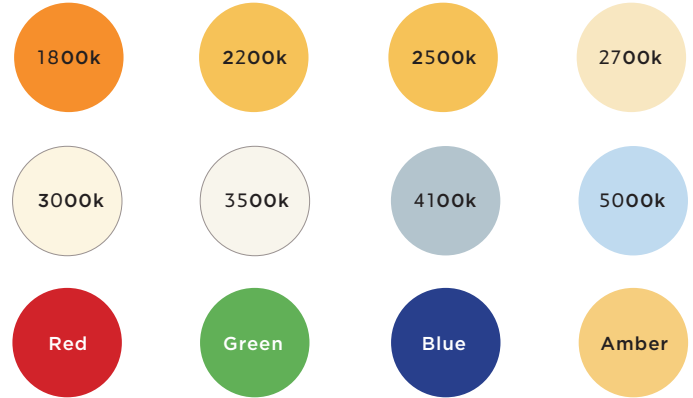
5 year limited warranty

## SPECIFICATIONS

### OPTICS

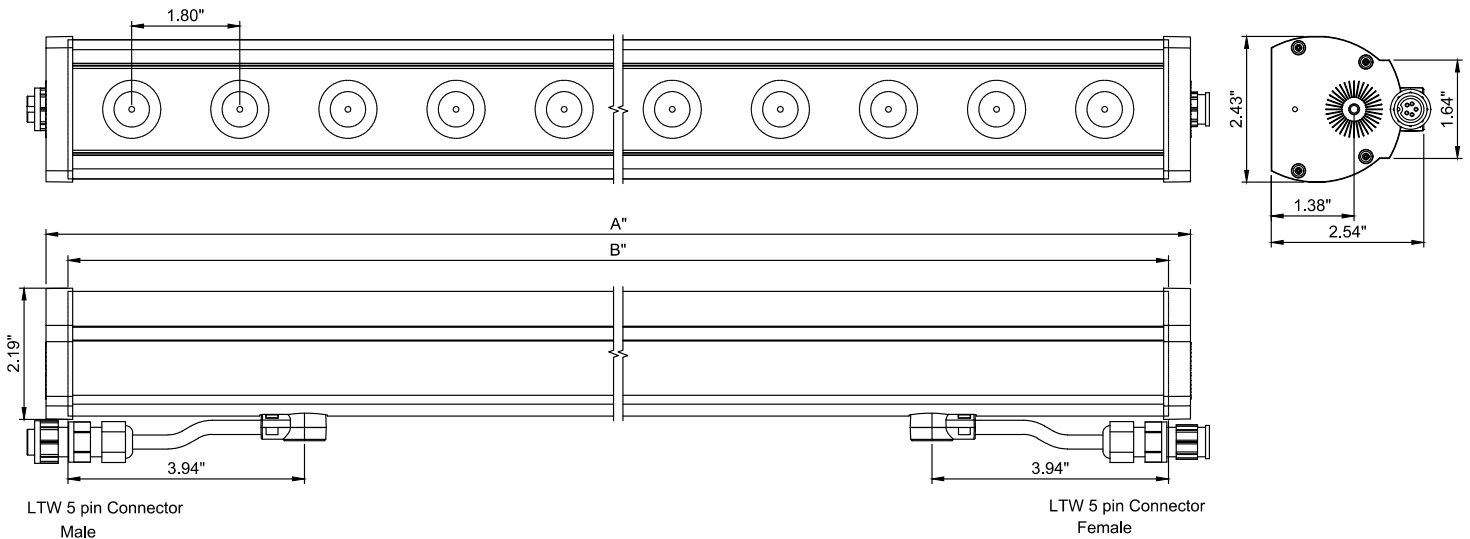


### COLOR TEMPERATURES



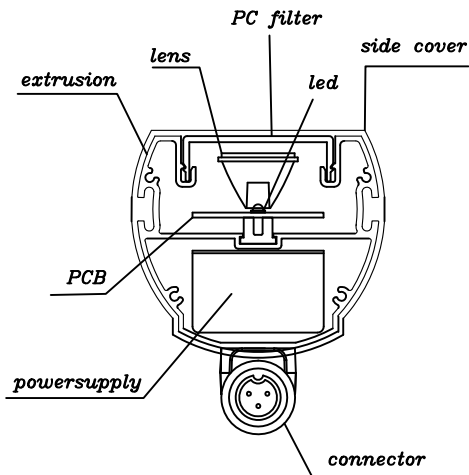
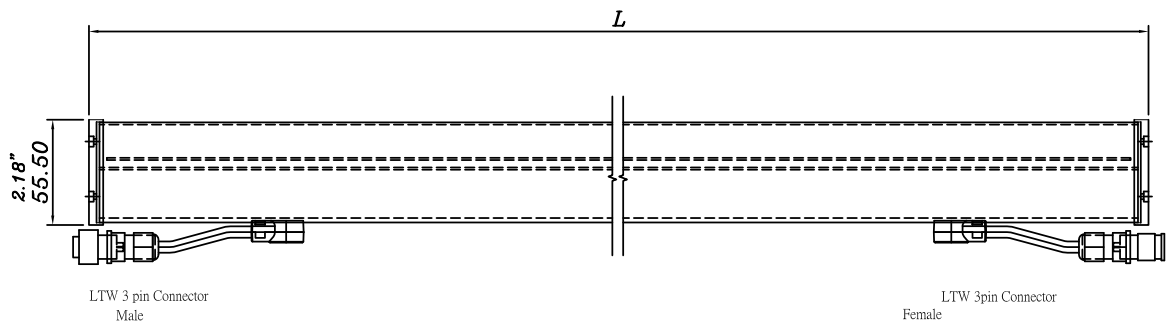
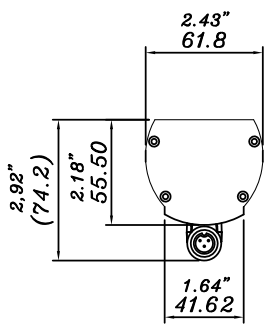
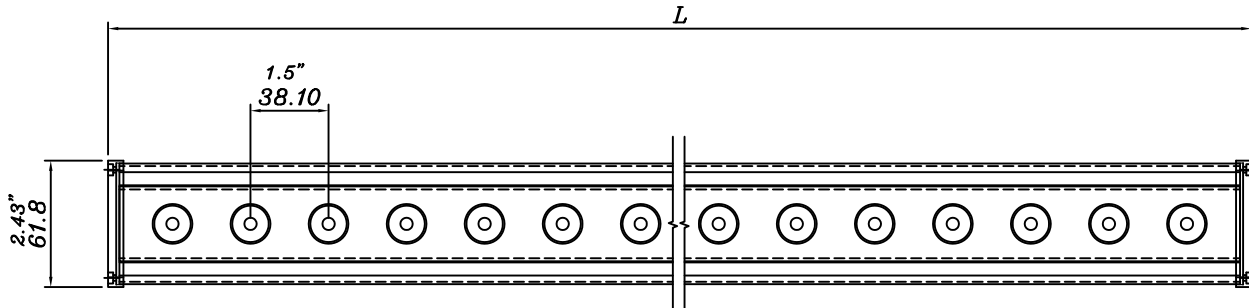
### DIMENSIONS AND DATA

12w/ft	Voltage	View Angle	Watts/Fixture	Lumens/Fixture	LEDs/Fixture	Extrusion Length	Total Length
HB40RP-10-XXK-XXD-ACD-12	100-277VAC	15°, 20°, 30°, 45°, 120°, 13°x17°, 30°x60°	9.2w	813	5	L=237.4mm	L=256mm (10")
HB40RP-19-XXK-XXD-ACD-12			18.4w	1544	10	L=465.4mm	L=484mm (19")
HB40RP-28-XXK-XXD-ACD-12			27.6w	2275	15	L=693.0mm	L=712mm (28")
HB40RP-37-XXK-XXD-ACD-12			36.8w	3006	20	L=921.4mm	L=940mm (37")
HB40RP-46-XXK-XXD-ACD-12			46.0w	3738	25	L=1149.4mm	L=1168mm (46")



**SPECIFICATIONS**

**PROFILE**



## ORDER FORM

### CREATE YOUR FIXTURE

Ex. HB40RP-46-30K-30-ACD-12

MODEL	LENGTH	COLOR	OPTICS
HB40RP	10" 10 inches 19" 19 inches 28" 28 inches 37" 37 inches 46" 46 inches	18k 1800k R Red 22k 2200k G Green 25k 2500k B Blue 27k 2700k A Amber 30k 3000k 35k 3500k 41k 4100k 50k 5000k	15 15°x15° 120 120°x120° 20 20°x20° 1317 13°x17° 30 30°x30° 3060 30°x60° 45 45°x45°
VOLTAGE	CONTROL	POWER	
AC 100-277vac	D Dimming ND Non Dimming	12 12w/ft	

### SELECT CONNECTION

#### Wire Lead

QTY	POWER/SIGNAL	
	AL-HB5P-72"-W/L	72" (6ft) Wire lead 5pin
	AL-HB5P-xx"-W/L	xx" (CU) Wire lead 5pin
QTY	POWER	
	AL-HB3P-72"-W/L	72" (6ft) Wire lead 3pin
	AL-HB3P-xx"-W/L	xx" (CU) Wire lead 3pin

\* 1 wire lead required for each run.

#### End Cap

QTY	AL-HB5P-ENDCAP	End cap for fixture output at end of run
-----	----------------	--

#### Jumper Cable

QTY	POWER/SIGNAL	
	AL-HB5P-12"-J	12" (1ft) jumper 5pin
	AL-HB5P-72"-J	72" (6ft) jumper 5pin
	AL-HB5P-xx"-J	xx" (CU) jumper 5pin

\* Fixtures are end to end connected. Use jumpers if space is needed between fixtures.

\*\*Not to be used with extended arm mounting

### JUNCTION BOX

QTY	JUNCTION BOX	
	AC-2WB2-M	Junction box for AC and Signal

\* Used with wire lead at the beginning of each run or between fixtures to connect AC to the 1st fixture

### MOUNTING BRACKETS

	AL-HB40RP-FLAT BRACKET	Flat bracket
	AL-HB40RP-ADJ BRACKET	Adjustable bracket
	AL-HB40RP-GP BRACKET	Ground post bracket

### MOUNTING ARMS

	AL-HB40RP-6"-ARM-xx	6" Mounting arm
	AL-HB40RP-12"-ARM-xx	12" Mounting arm
	AL-HB40RP-18"-ARM-xx	18" Mounting arm

xx = up or down (indicates fixture illumination direction)

\* 2 per fixture as a standalone, 1 between each fixture when row-mounted

### ADDITIONAL OPTIONS

#### Powder Coated Finish

QTY	BK	Black - Standard finish
-----	----	-------------------------

Other powder coated finishes available for additional cost

	BZ	Bronze
	WH	White
	CU	Custom

\* Fixture housing is black powder coated standard

#### 0-10V Dimmer

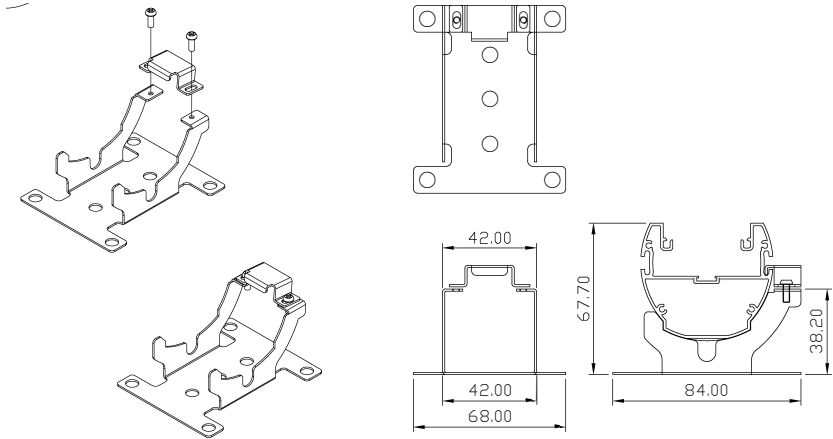
QTY	LUT-DVSTV-WH	0-10V dimmer switch
-----	--------------	---------------------

#### Surge Protection

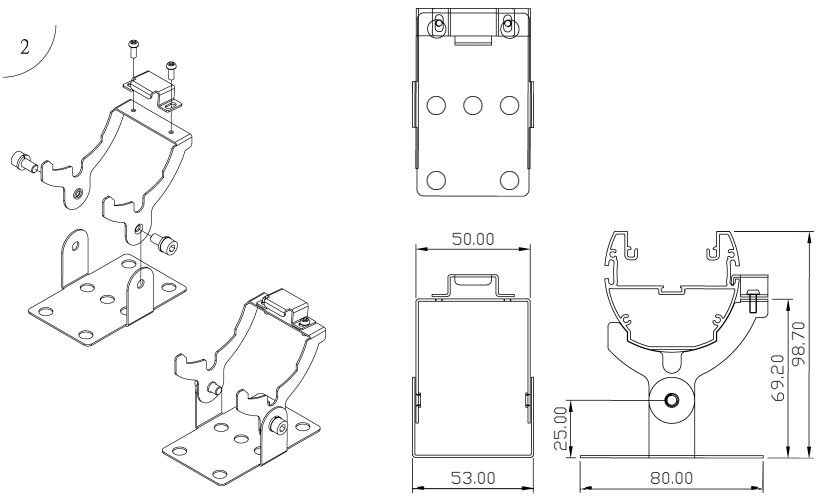
QTY	LSP4-UNV	120/277v surge protector
-----	----------	--------------------------

## BRACKETS

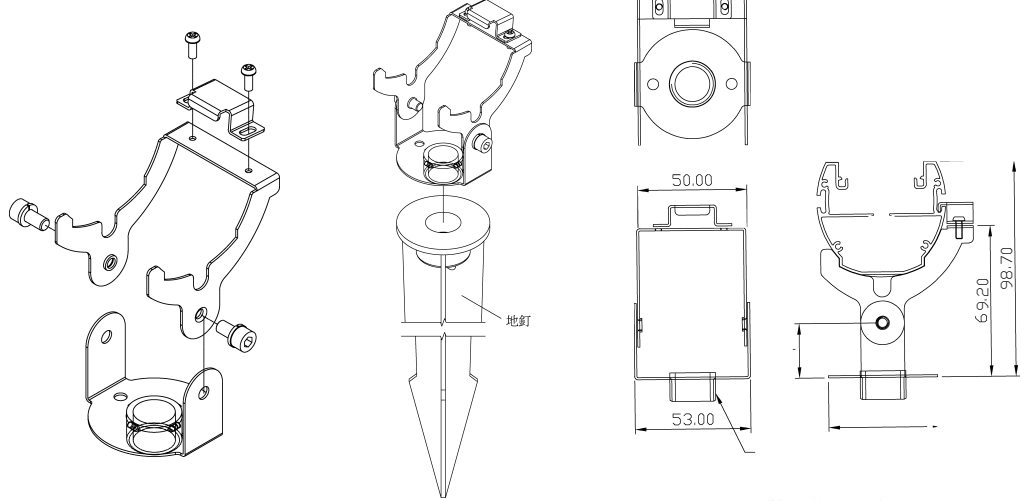
### FLAT BRACKETS



### ADJUSTABLE BRACKETS



### GROUND POST BRACKETS



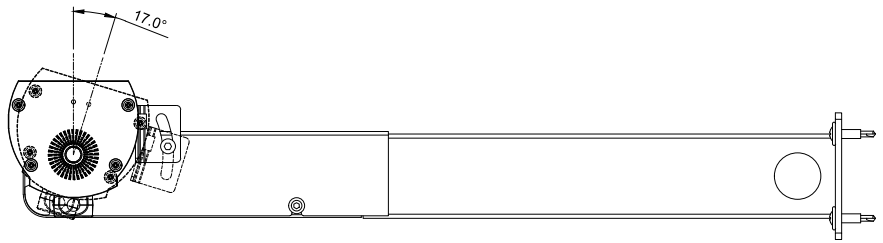
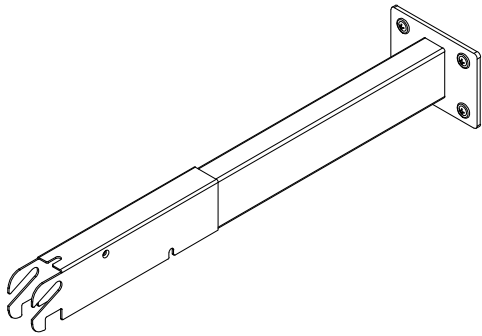
## ORDER FORM

### MOUNTING OPTIONS

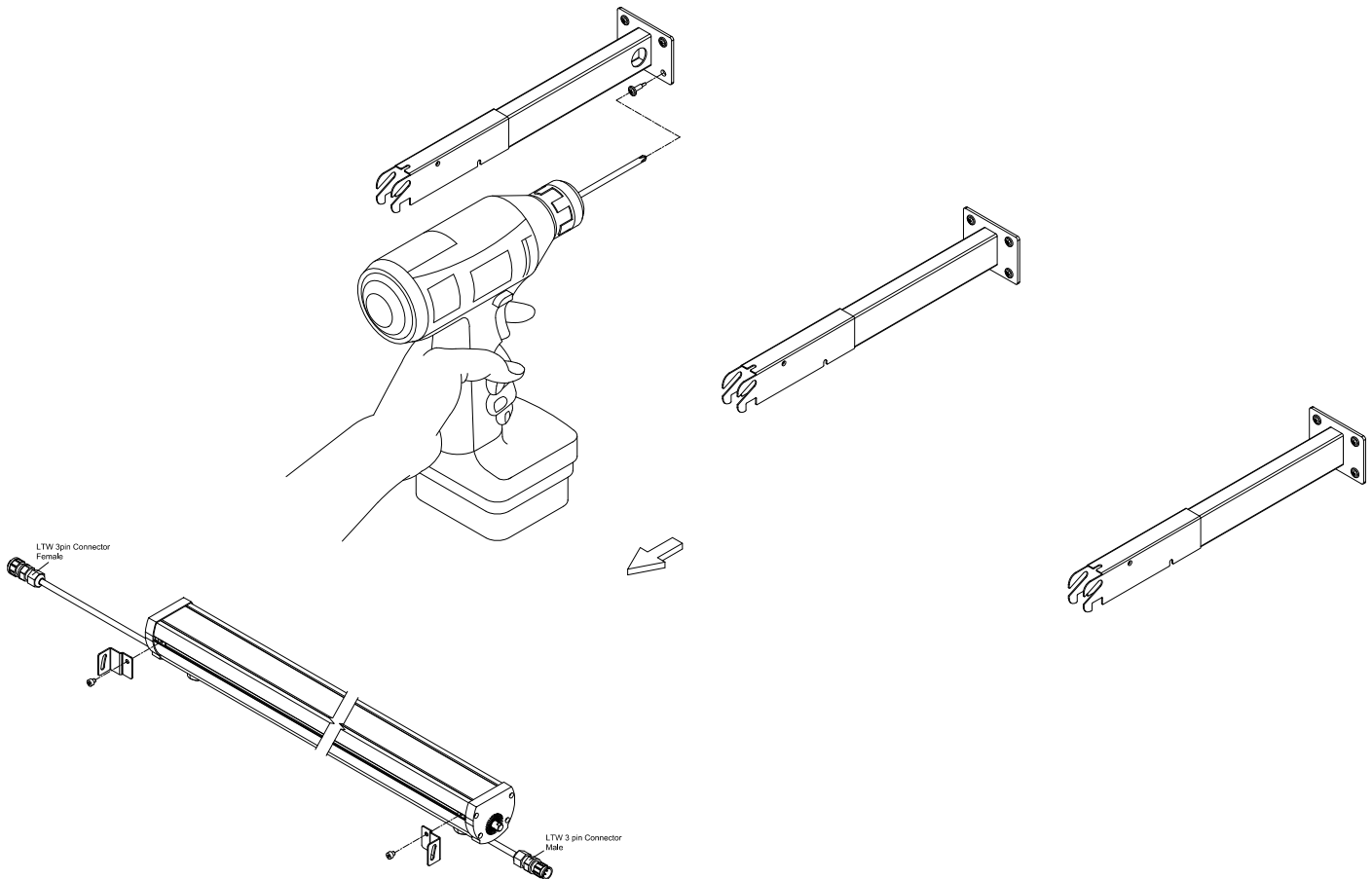
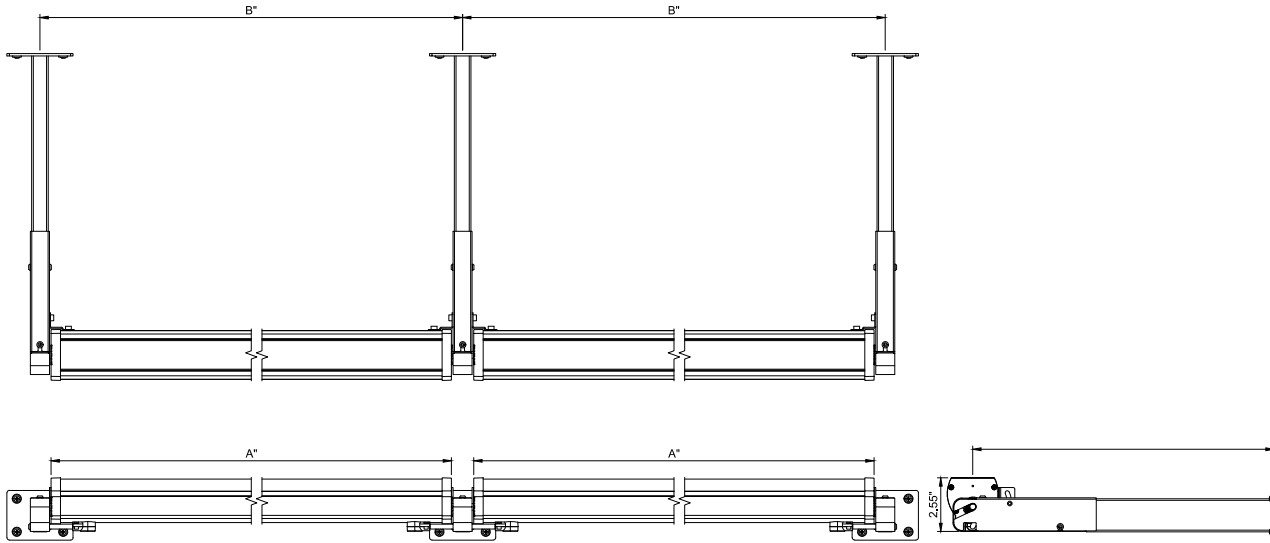
#### Extended Arms

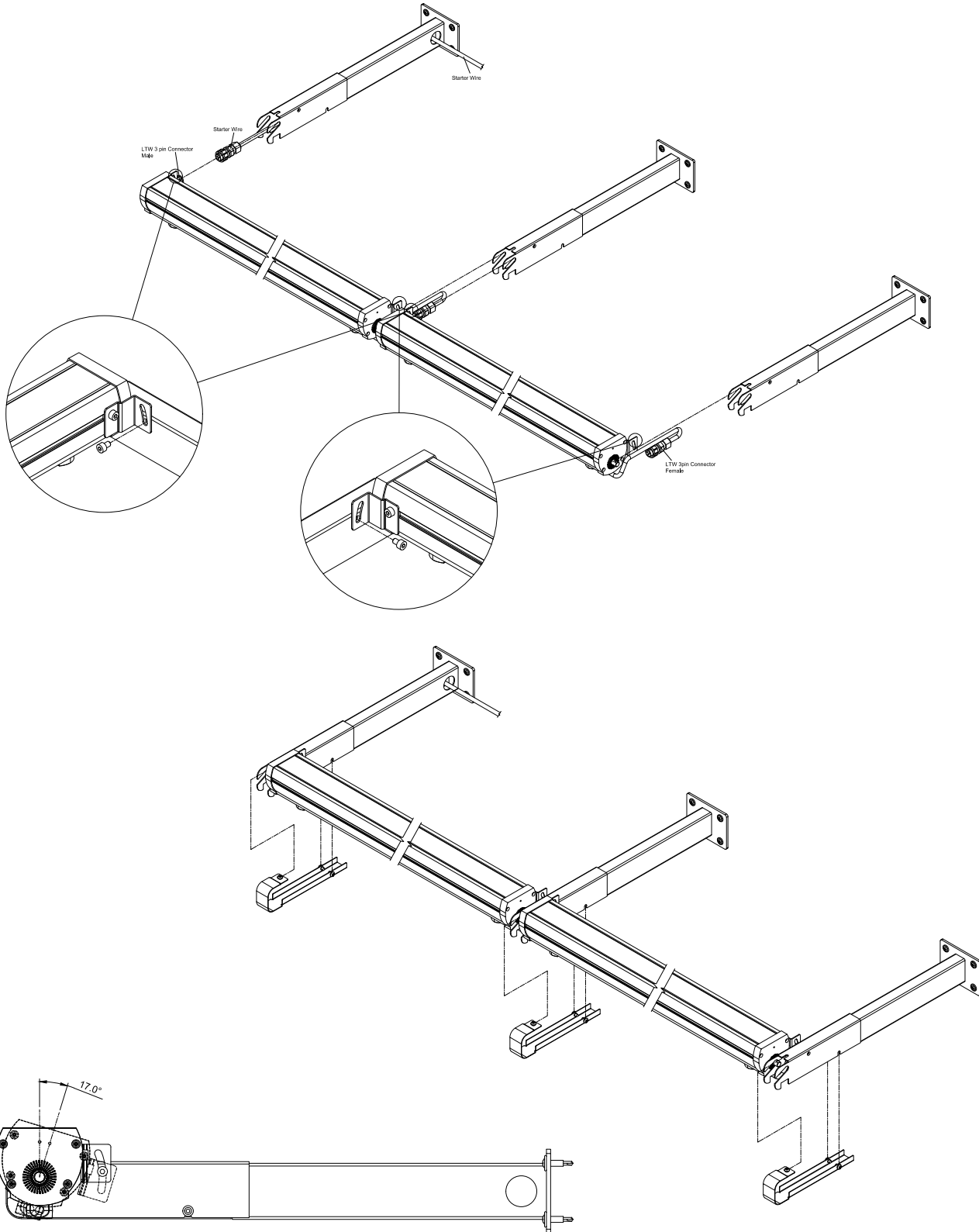
Fixture can be mounted illuminating up or down with 6", 12" or 18" wall mount arms

QTY	AL-HB40RP-	(ARM LENGTH)	Arm	(Fixture Direction)
		6"		UP
		12"		DN
		18"		



### Extended Arms - 6", 12", 18"

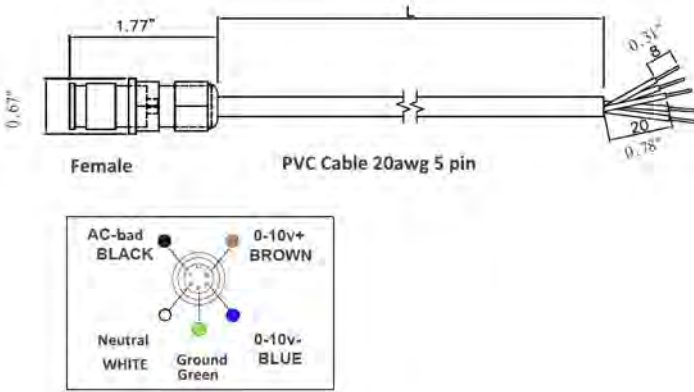




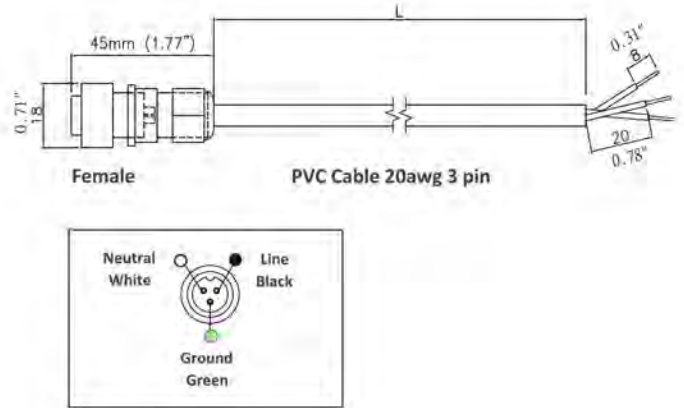
## WIRING OPTIONS

### WIRE LEAD

**DESCRIPTION** | **PART NUMBER**  
 5 pin power / signal wire | AL-HB5P-xx"-W/L

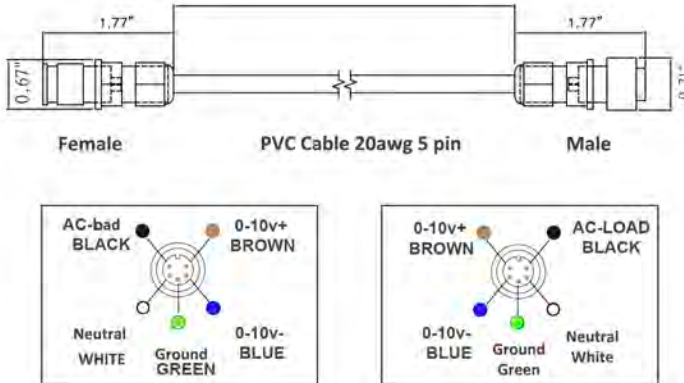


**DESCRIPTION** | **PART NUMBER**  
 3 pin power wire | AL-HB3P-xx"-W/L

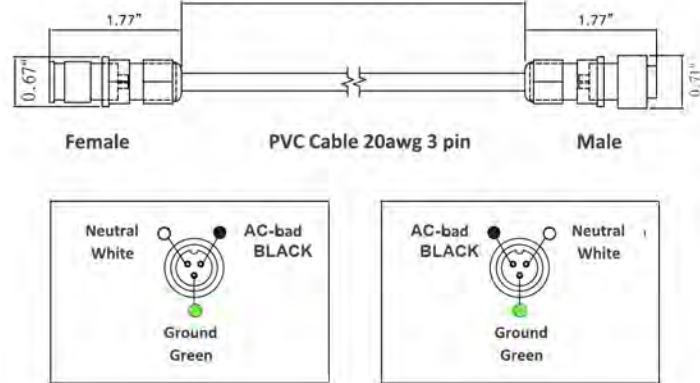


### JUMPER CABLE

**DESCRIPTION** | **PART NUMBER**  
 5 pin power / signal jumper | AL-HB5P-xx"-J



**DESCRIPTION** | **PART NUMBER**  
 3 pin power jumper | AL-HB3P-xx"-J



## WIRING OPTIONS

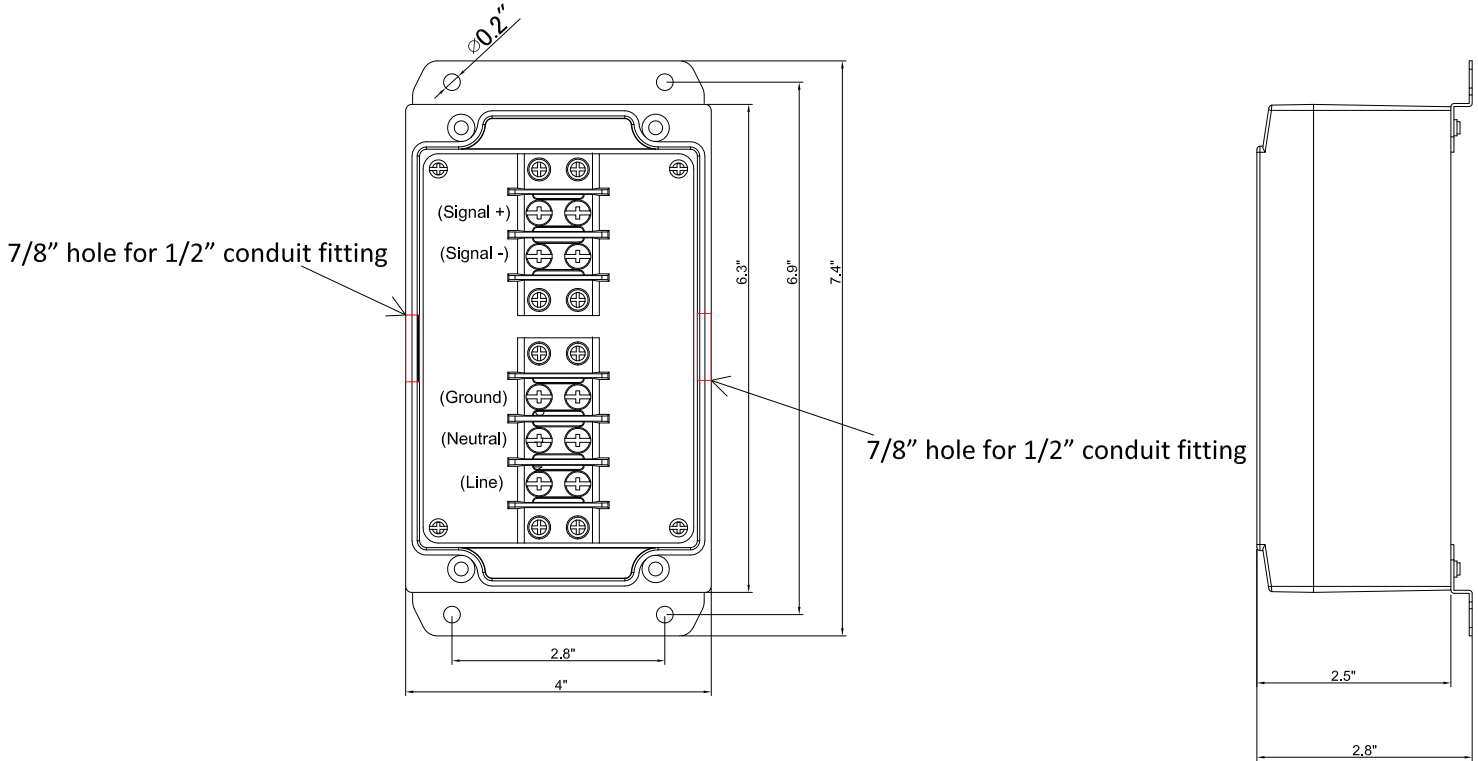
### JUNCTION BOX

#### DESCRIPTION

Junction Box for AC Power and Signal Connection

#### PART NUMBER

AC-2WB2-M



# SURGE PROTECTION DEVICE

Date: .....  
 Type: .....  
 Project: .....  
 Firm: .....

## SURGE PROTECTION

### DESCRIPTION

Surge Protection Device

### PART NUMBER

AL-LSP-UNV

The use of a surge protection device is necessary to maintain your warranty. Specifications are subject to change without notice.

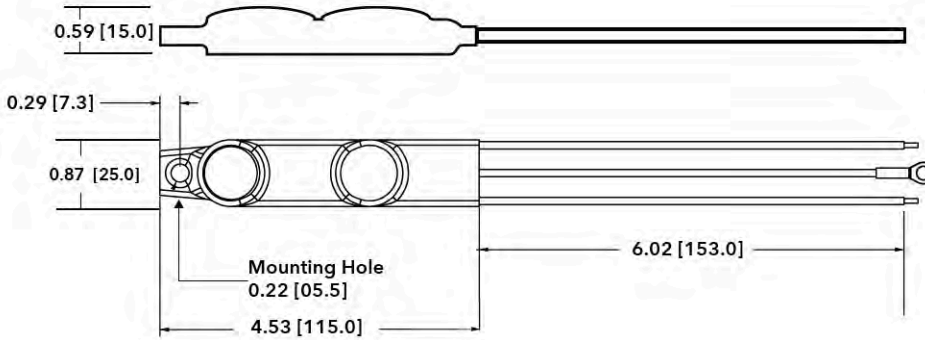
### SPECIFICATIONS

Input Voltage	120-277V (+/- 5%)		
Frequency	50Hz-60Hz		
Maximum Continuous Voltage	320V		
Maximum Discharge Current	L-N 20kA; L-G, N-G 10kA (8/20Qs standard wave)		
Nominal Discharge Current	5kA		
Measured Limiting Voltage (VpK)	L-N	L-G	N-G
	1200	1320	1320
Max Case Temperature	85°C		

PULSE RATING (8 X 20 SEC)		
Surge Level	# of Strikes	
	L-N	L-G, N-G
10,000A	*2	1
6,500A	4	2
5,000A	30	15
2,000A	200	100
700A	20000	1000

\*1 strike at 20,000A

### MECHANICAL DIMENSIONS : IN (MM)



### WIRING DIAGRAM

