

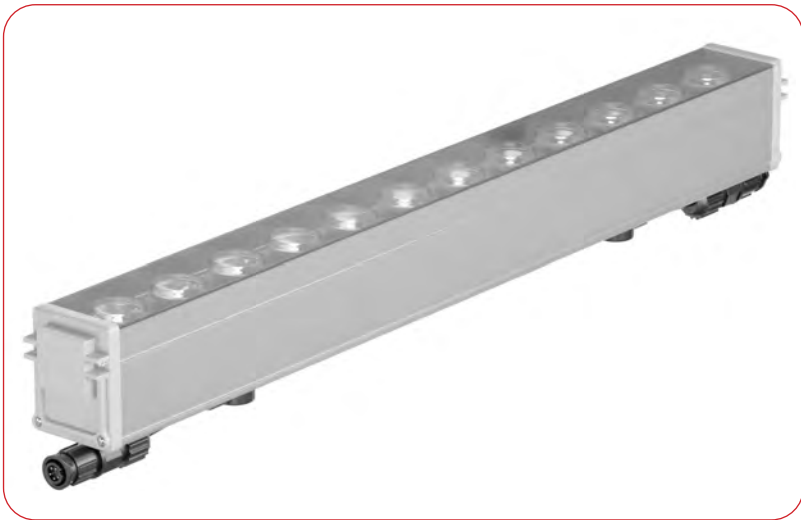


HB40HP

LINEAR LED LIGHTBAR

POWERFUL | HIGH PERFORMANCE
 8.8w/ft - 744lm/ft | 12w/ft - 975lm/ft

Graze | Wall Washing | Cove | Facade Lighting



The Smart Lighting Company HB40HP Series is a linear, high-performance LED luminaire designed for exterior architectural applications, delivering intense illumination in ranges between 5 and 45 feet. With options of 744 or 975 lumens per foot, this fixture is adept at precise grazing, wall washing, cove, and flood lighting. The use of Nichia Bin sorted LEDs within a 2-step MacAdam ellipse ensures the high-quality, consistent illumination that architects and lighting designers demand. Engineered for efficiency, our optical lenses maximize light output while minimizing power consumption. It features a universal 100-277VAC power supply with 0-10v dimming, and is available in five lengths, catering to a wide spectrum of color temperatures. Built to last, the HB40HP boasts a durable extruded anodized aluminum housing with tooled end caps and IP66 rated Plug and Play connectors. With a range of mounting options and accessories like powder-coated housings with glare shields, the HB40HP is built for affordable long-lasting performance.



SPECIFICATIONS

PERFORMANCE

Output

8.8w/ft - 744lm/ft | 12w/ft - 975lm/ft

Color Temperatures

22k, 25k, 27k, 30k, 35k, 41k, 50k, 65k, R, G, B, A

Beam Angles

15°, 20°, 30°, 45°, 60°, 75°, 90°, 120°,
13°x17°, 15°x35°, 18°x26°, 18°x58°, 30°x60°

LEDs per Foot

8

LED's

Nichia bin-sorted

Color Consistency

2 SCDM

CRI

83 std, 94 optional

ELECTRICAL

Input Voltage

100-277vac

Power Supply

Integral

Control

0-10v dimming

Heat dissipation

Full thermal management system

Connection

Quick connect plug and play system
(power and signal in one cable)

Projected Lumen Maintenance

>90,000 hours

PHYSICAL

Fixture Length Options

10", 19", 28", 37", 46"

Max Run Length

8.8w - 125ft@277vac, 54ft@120vac
12w - 92ft/277vac, 40ft@120vac

Housing

Anodized extruded aluminum, tooled end caps

Lens

Polycarbonate

Fixture Finish (Standard)

Anodized aluminum

Powder Coated Finish (Optional)

Black, Bronze, White, CU

Standard Mounting

Stainless adjustable or flat brackets

Optional Mounting

Powder-coated housing | extended arms or
ground post stakes

Operating Temperature

-40°F to 122°F, (-40°C to 50°C)

ENVIRONMENT AND WARRANTY

IP Rating

IP66

Environment

Dry, Damp or Wet locations
0-100% non-condensing humidity

Certifications

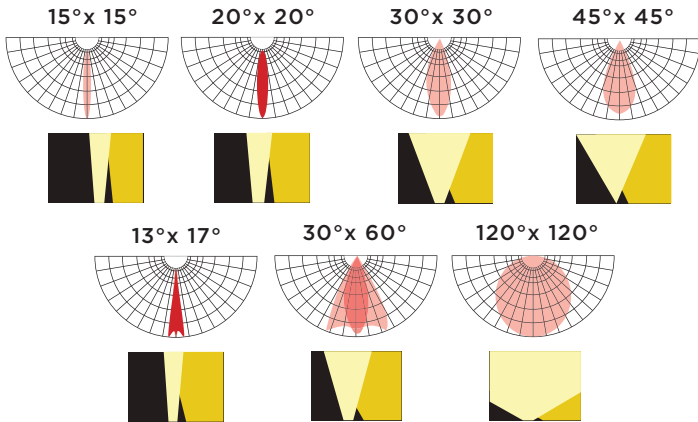
UL, cUL

Warranty

5 year limited warranty

SPECIFICATIONS

OPTICS



COLOR TEMPERATURES



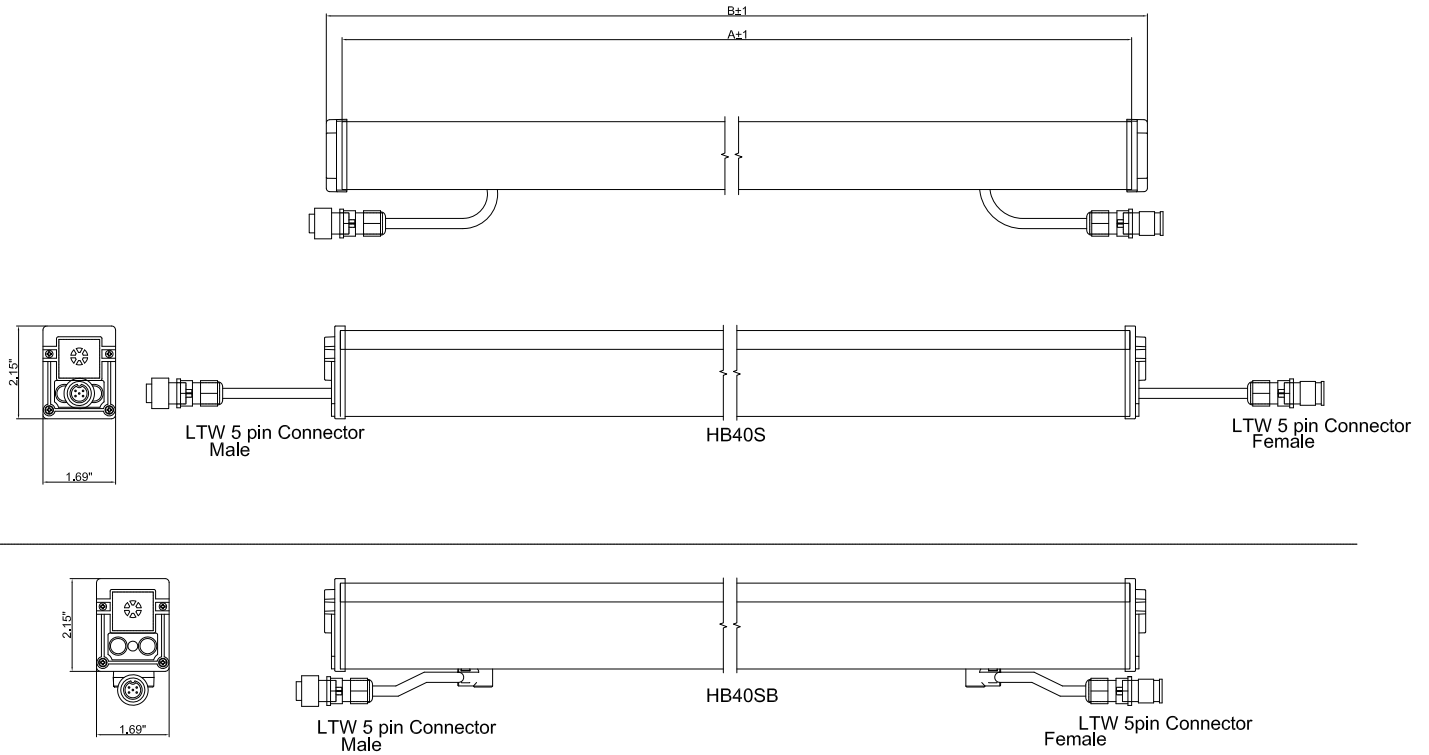
DIMENSIONS AND DATA

8.8w/ft	Voltage	View Angle	Watts/Fixture	Lumens/Fixture	LEDs/Fixture	Extrusion Length	Total Length
HB40HP-10-XXK-XXD-ACD	100-277VAC	15°, 20°, 30°	8.6w	620	6	L=237.4mm	L=256mm (10")
HB40HP-19-XXK-XXD-ACD		45°, 60°, 75°	14w	1178	12	L=465.4mm	L=484mm (19")
HB40HP-28-XXK-XXD-ACD		90°, 120°, 13°x17°	20w	1736	18	L=693.0mm	L=712mm (28")
HB40HP-37-XXK-XXD-ACD		15°x35°	26.8w	2294	24	L=921.4mm	L=940mm (37")
HB40HP-46-XXK-XXD-ACD		18°x58° 30°x60°	33.2w	2852	30	L=1149.4mm	L=1168mm (46")

12w/ft	Voltage	View Angle	Watts/Fixture	Lumens/Fixture	LEDs/Fixture	Extrusion Length	Total Length
HB40HP-10-XXK-XXD-ACD-12	100-277VAC	15°, 20°, 30°	9.2w	813	5	L=237.4mm	L=256mm (10")
HB40HP-19-XXK-XXD-ACD-12		45°, 60°, 75°	18.4w	1544	10	L=465.4mm	L=484mm (19")
HB40HP-28-XXK-XXD-ACD-12		90°, 120°, 13°x17°	27.6w	2275	15	L=693.0mm	L=712mm (28")
HB40HP-37-XXK-XXD-ACD-12		15°x35°	36.8w	3006	20	L=921.4mm	L=940mm (37")
HB40HP-46-XXK-XXD-ACD-12		18°x58° 30°x60°	46.0w	3738	25	L=1149.4mm	L=1168mm (46")

SPECIFICATIONS

PROFILE



ORDER FORM

CREATE YOUR FIXTURE

Ex. HB40HP-46-30K-30-ACD-12

MODEL	LENGTH	COLOR	OPTICS
HB40HP	10" 10 inches 19" 19 inches 28" 28 inches 37" 37 inches 46" 46 inches	22k 2200k R Red 25k 2500k G Green 27k 2700k B Blue 30k 3000k A Amber 35k 3500k 41k 4100k 50k 5000k 65k 6500k	15 15°x15° 120 120°x120° 20 20°x20° 1317 13°x17° 30 30°x30° 1535 15°x35° 45 45°x45° 1826 18°x26° 60 60°x60° 1858 18°x58° 75 75°x75° 3060 30°x60° 90 90°x90°
VOLTAGE	CONTROL	POWER	
AC 100-277vac	D Dimming ND Non Dimming	9 8.8w/ft 12 12w/ft	

SELECT CONNECTION

Wire Lead

QTY	POWER/SIGNAL	
	AL-HB5P-72"-W/L	72" (6ft) Wire lead 5pin
	AL-HB5P-xx"-W/L	xx" (CU) Wire lead 5pin
QTY	POWER	
	AL-HB3P-72"-W/L	72" (6ft) Wire lead 3pin
	AL-HB3P-xx"-W/L	xx" (CU) Wire lead 3pin

* 1 wire lead required for each run.

End Cap

QTY	** Use 5p for dimming and 3p for non-dimming	
	AL-HBxP-ENDCAP	End cap for fixture output at end of run

* 1 End cap required at the end of each

Jumper Cable

QTY	POWER/SIGNAL	
	AL-HB5P-12"-J	12" (1ft) jumper 5pin
	AL-HB5P-72"-J	72" (6ft) jumper 5pin
	AL-HB5P-xx"-J	xx" (CU) jumper 5pin
QTY	POWER	
	AL-HB3P-12"-J	12" (1ft) jumper 3pin
	AL-HB3P-72"-J	72" (6ft) jumper 3pin
	AL-HB3P-xx"-J	xx" (CU) jumper 3pin

* Fixtures are end to end connected. Use jumpers if space is needed between fixtures.

SELECT MOUNTING

QTY	MOUNTING BRACKETS - 2 REQUIRED PER FIXTURE	
	AL-HB40ADJ BRACKET	HB40 Adjustable bracket
	AL-HB40FLAT BRACKET	HB40 Flat bracket

* Flat brackets only used if fixture is mounted in powder coated housing

ADDITIONAL OPTIONS

Optional Powder Coated Finish

QTY	Powder coated finishes available for additional cost	
	BK	Black
	BZ	Bronze
	WH	White
	CU	Custom

* Fixture housing is anodized aluminum standard

0-10V Dimmer

QTY	LUT-DVSTV-WH	0-10V dimmer switch
-----	--------------	---------------------

Surge Protection

QTY	LSP4-UNV	120/277v surge protector
-----	----------	--------------------------

ORDER FORM

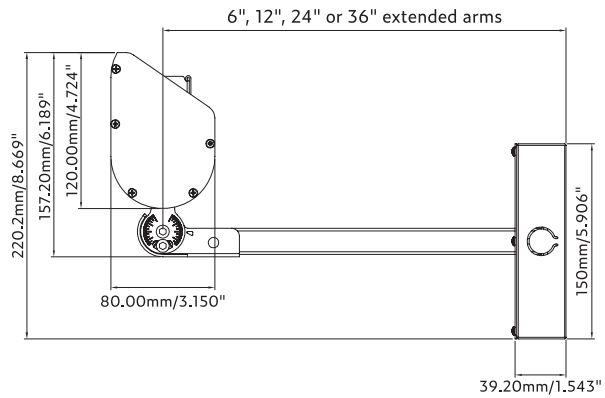
ADDITIONAL MOUNTING OPTIONS

Housing and Extended Arms

Fixture can be mounted in a powder coated housing with integral glare shield

QTY	Housing	(L) Housing Length	(F) Finish	(A) Extended Arm Length
	HB40EXT-	10"	BK - Black	6"
		19"	BZ- Bronze	12"
		28"	WH - White	18"
		37"	SI - Silver	24"
		46"	CU - Custom	36"

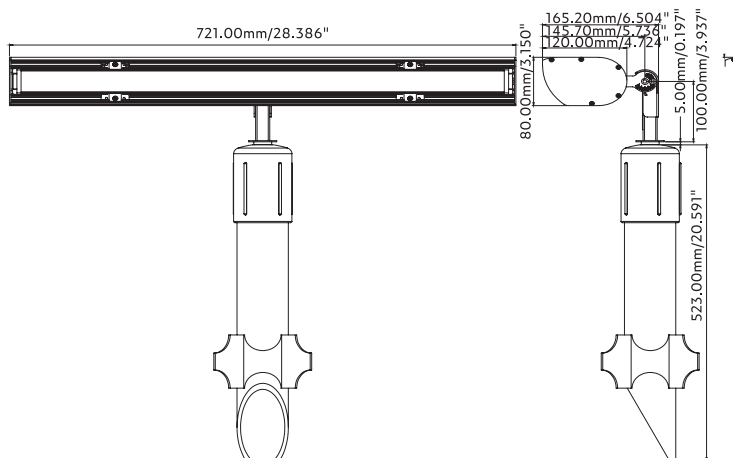
GPA (Ground Post Arm)



Ground Posts

QTY **Select when using GPA above (1 per fixture for 10", 19" & 28" housing and 2 for 37" & 46" housing)**

HBEXT-GPS Ground post mount



GLARE PROTECTION

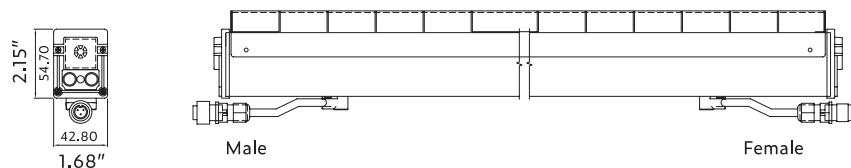
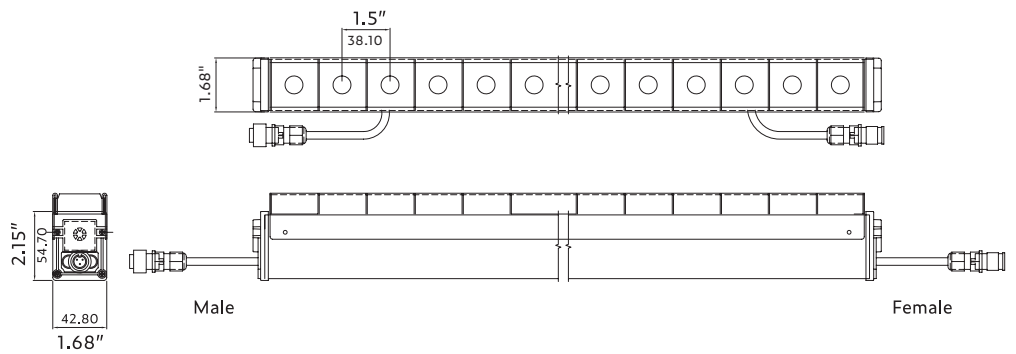
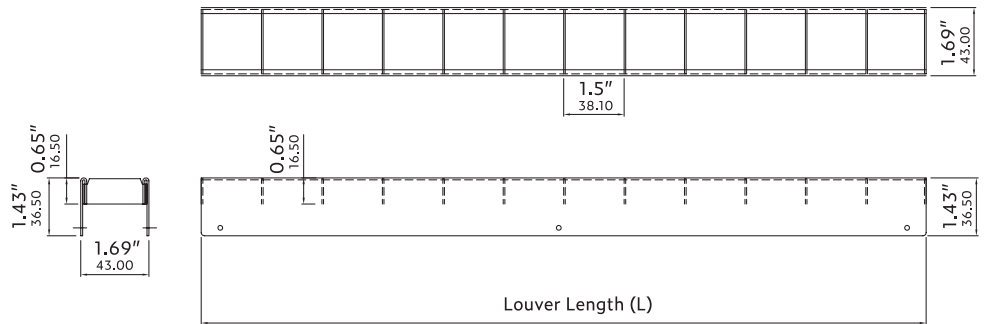
LOUVERS

Glare Control

Standard black finish powder coated louvers

QTY	Housing	(L) Housing Length	(F) Finish
	HB40-10" LOUVER	10"	BK - Black
	HB40-19" LOUVER	19"	BZ - Bronze
	HB40-28" LOUVER	28"	WH - White
	HB40-37" LOUVER	37"	SI - Silver
	HB40-46" LOUVER	46"	CU - Custom

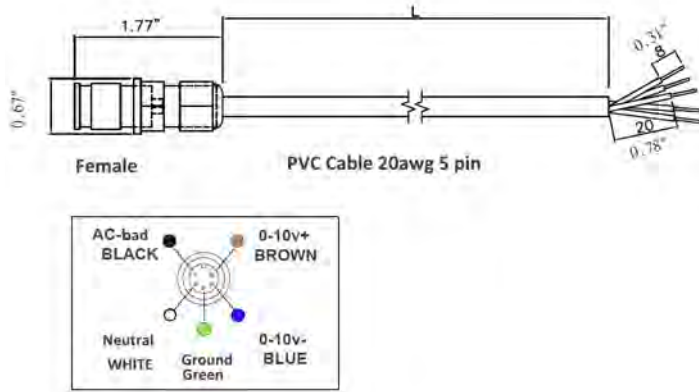
* Other powder coated finishes available for additional cost



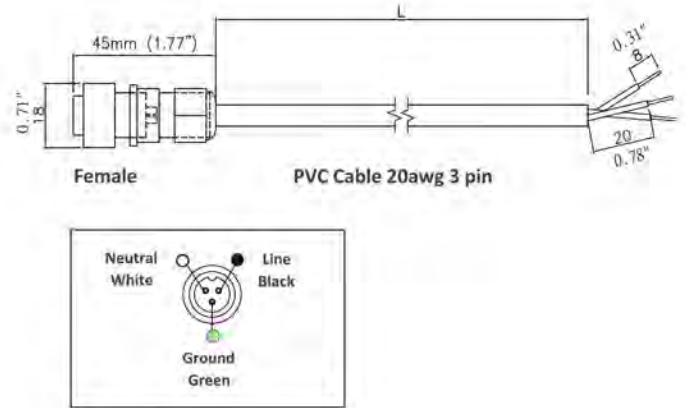
WIRING OPTIONS

WIRE LEAD

DESCRIPTION | **PART NUMBER**
 5 pin power / signal wire | AL-HB5P-xx"-W/L

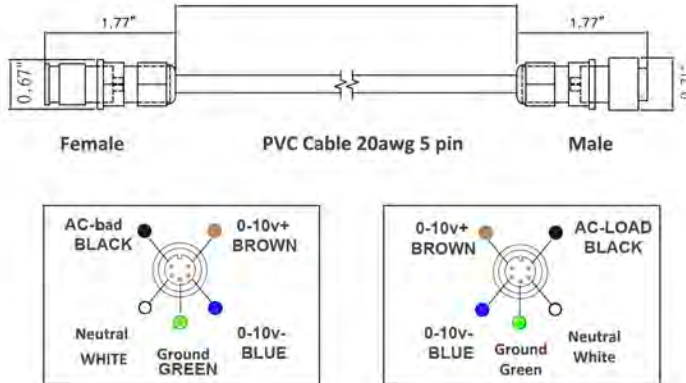


DESCRIPTION | **PART NUMBER**
 3 pin power wire | AL-HB3P-xx"-W/L

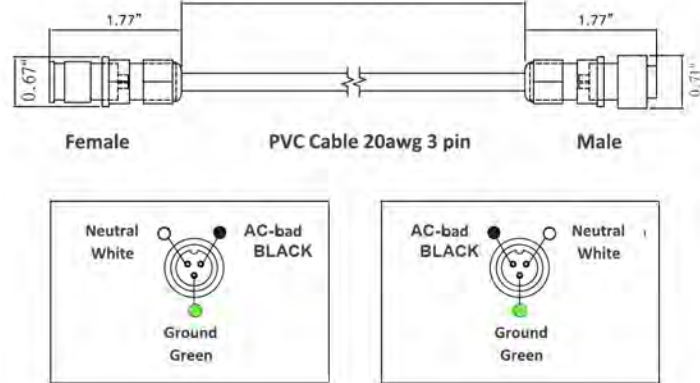


JUMPER CABLE

DESCRIPTION | **PART NUMBER**
 5 pin power / signal jumper | AL-HB5P-xx"-J



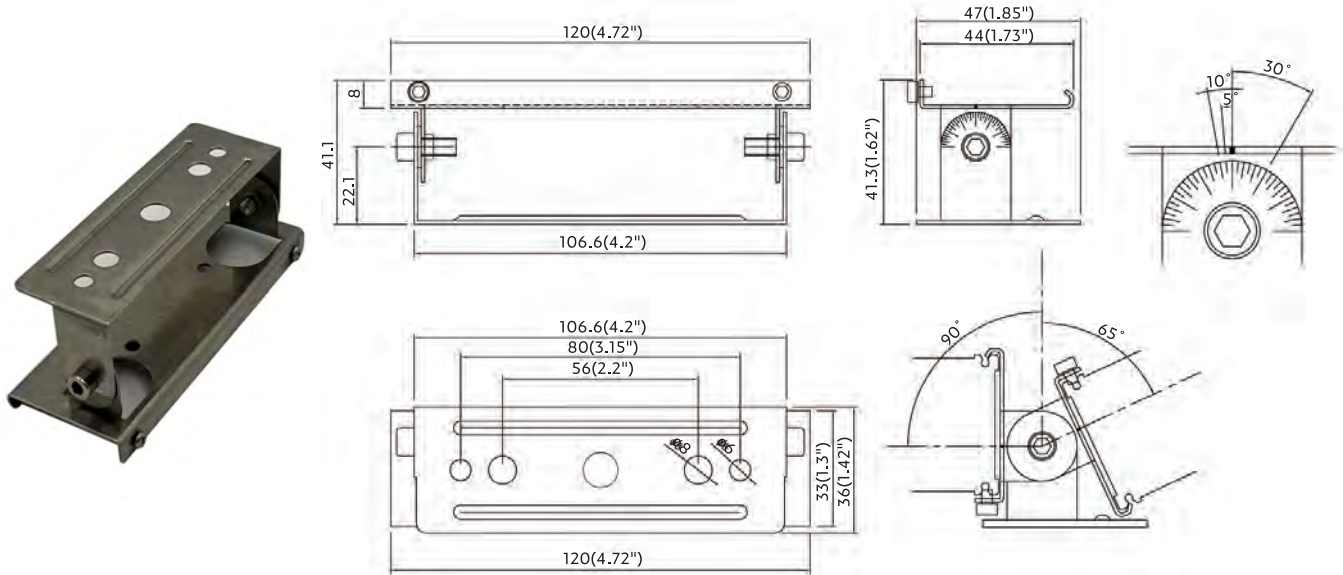
DESCRIPTION | **PART NUMBER**
 3 pin power jumper | AL-HB3P-xx"-J



MOUNTING BRACKETS

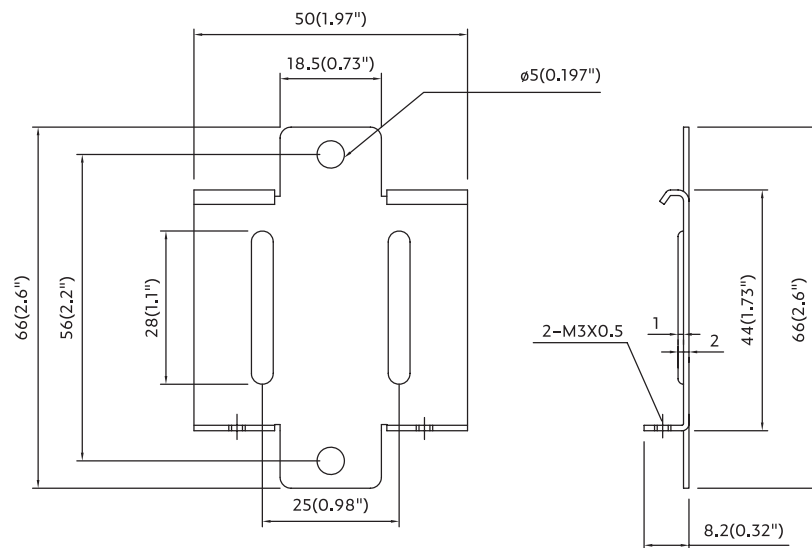
ADJUSTABLE BRACKETS

DESCRIPTION	PART NUMBER
HB40 Adjustable Bracket	AL-HB40 ADJ.Bracket



FLAT BRACKETS

DESCRIPTION	PART NUMBER
HB40HP Flat Bracket	AL-HB40HP-Flat Bracket



SURGE PROTECTION DEVICE

Date:
 Type:
 Project:
 Firm:

SURGE PROTECTION

DESCRIPTION

Surge Protection Device

PART NUMBER

AL-LSP-UNV

The use of a surge protection device is necessary to maintain your warranty. Specifications are subject to change without notice.

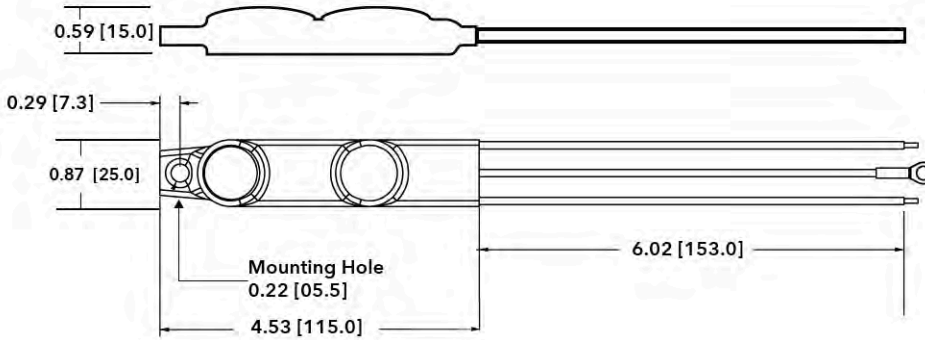
SPECIFICATIONS

Input Voltage	120-277V (+/- 5%)		
Frequency	50Hz-60Hz		
Maximum Continuous Voltage	320V		
Maximum Discharge Current	L-N 20kA; L-G, N-G 10kA (8/20Qs standard wave)		
Nominal Discharge Current	5kA		
Measured Limiting Voltage (VpK)	L-N	L-G	N-G
	1200	1320	1320
Max Case Temperature	85°C		

PULSE RATING (8 X 20 SEC)		
Surge Level	# of Strikes	
	L-N	L-G, N-G
10,000A	*2	1
6,500A	4	2
5,000A	30	15
2,000A	200	100
700A	20000	1000

*1 strike at 20,000A

MECHANICAL DIMENSIONS : IN (MM)



WIRING DIAGRAM

