



HB40SB

EXTERIOR OR INTERIOR LINEAR

POWERFUL | COMPACT | LOW PROFILE
 7.0w/ft | 700lm/ft

Wall Wash | Ceiling Wash | Sign Lighting



Designed for architectural indirect or direct wall mounted illumination —high-performance lighting in a compact form able to support run lengths of up to 150 feet and illumination heights over 15 feet. These linear fixtures come in a durable powder coated finish and are ingeniously designed to for individual or seamless row mounting, providing uniform, high-quality light courtesy of Nichia bin-sorted LEDs.



The series boasts an extensive range of customizable features, from length to color temperature and optical lenses, all available in various mounting options and finishes. An integrated universal power supply, coupled with full thermal management and a plug and play cable system, ensures installation is straightforward and efficient. Ideal for precise grazing and impactful wall-washing in an up or down direction, this series adapts to your lighting needs without compromise.



SPECIFICATIONS

PERFORMANCE

Output

7.0w/ft | 700lm/ft

Color Temperatures

22k, 27k, 30k, 35k, 41k, 50k, 65k, R, G, B, A

Beam Angles

15°, 30°, 45°, 60°, 75°, 90°, 120°, 30°x60°

LEDs per Foot

14

LED's

Nichia bin-sorted

Color Consistency

2 SCDM

CRI

85 std, 95 optional

ELECTRICAL

Input Voltage

100-277vac

Power Supply

Integral

Control

0-10v dimming

Heat dissipation

Full thermal management system

Connection

Quick connect plug and play system

Projected Lumen Maintenance

>90,000 hours

PHYSICAL

Fixture Length Options

12", 24", 36", 48"

Max Run Length

150ft@277vac, 65ft@120vac

Housing

Anodized extruded aluminum, tooled end caps

Lens

Polycarbonate

Fixture Finish (Standard)

Black powder coated

Powder Coated Finish (Optional)

Bronze, White, CU

Standard Mounting

Individual or Row mount

Operating Temperature

-40°F to 122°F, (-40°C to 50°C)

ENVIRONMENT AND WARRANTY

IP Rating

IP66

Environment

Dry, Damp or Wet locations
0-100% non condensing humidity

Certifications

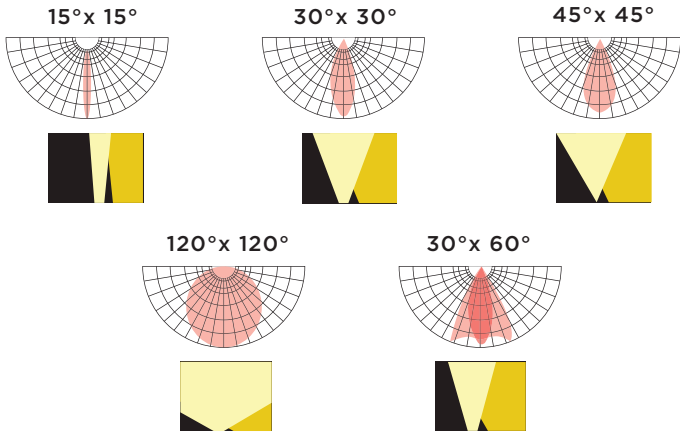
UL, cUL

Warranty

5 year limited warranty

SPECIFICATIONS

OPTICS



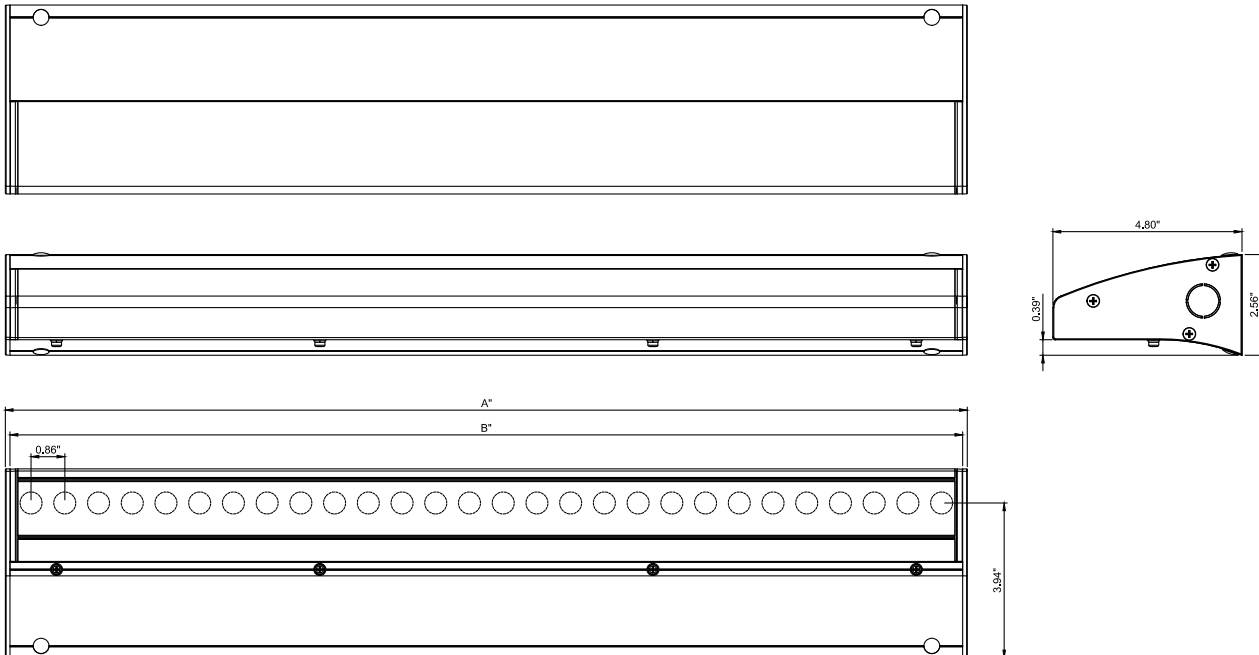
COLOR TEMPERATURES



DIMENSIONS AND DATA

7w/ft	Voltage	View Angle	Watts/ Fixture	Lumens/ Fixture	LEDs/ Fixture	Extrusion Length	Total Length
HB40SB-12-XXK-XXD-ACD	100-277VAC	15°, 30°, 45°	7w	700	14	L=310mm	L=316mm (12.44")
HB40SB-24-XXK-XXD-ACD		60°, 75°, 90°	14w	1400	28	L=615mm	L=621mm (24.45")
HB40SB-36-XXK-XXD-ACD		120°	21w	2100	42	L=920mm	L=926mm (36.46")
HB40SB-48-XXK-XXD-ACD		30°x60°	28w	2800	56	L=1225mm	L=1231mm (48.46")

PROFILE



ORDER FORM

CREATE YOUR FIXTURE

Ex. HB40SB-48-30K-45-ACD

MODEL	LENGTH	COLOR	OPTICS
HB40SB	12" 12 inches 24" 24 inches 36" 36 inches 48" 48 inches	22k 2200k R Red 27k 2700k G Green 30k 3000k B Blue 35k 3500k 41k 4100k 50k 5000k 65k 6500k	15 15°x15° 30 30°x30° 45 45°x45° 60 60°x60° 75 75°x75° 90 90°x90° 120 120°x120° 3060 30°x60°
VOLTAGE	CONTROL	POWER	
AC 100-277vac	D 0-10v Dimming ND Non Dimming	7w/ft 7.0w/ft	

SELECT CONNECTION

Wire Lead

QTY	POWER/SIGNAL	
	AL-HB5P-72"-W/L	72" (6ft) Wire lead 5pin
	AL-HB5P-xx"-W/L	xx" (CU) Wire lead 5pin
QTY	POWER	
	AL-HB3P-72"-W/L	72" (6ft) Wire lead 3pin
	AL-HB3P-xx"-W/L	xx" (CU) Wire lead 3pin

* 1 wire lead required for each run.

End Cap

QTY	AL-HB3(5)P-ENDCAP	End cap for output at end of run

* 1 End cap required at the end of each run, 3-pin for Non-Dimming and 5-pin for Dimming Applications

Jumper Cable

QTY	POWER/SIGNAL	
	AL-HB5P-12"-J	12" (1ft) jumper 5pin
	AL-HB5P-72"-J	72" (6ft) jumper 5pin
	AL-HB5P-xx"-J	xx" (CU) jumper 5pin
QTY	POWER	
	AL-HB3P-12"-J	12" (1ft) jumper 3pin
	AL-HB3P-72"-J	72" (6ft) jumper 3pin
	AL-HB3P-xx"-J	xx" (CU) jumper 3pin

* Fixtures are end to end connected. Use jumpers if space is needed between fixtures.

POWDER COATED FINISH

QTY	Standard	
	BK	Black
Powder coated finishes available for additional cost		
	BZ	Bronze
	WH	White
	CU	Custom

0-10V Dimmer

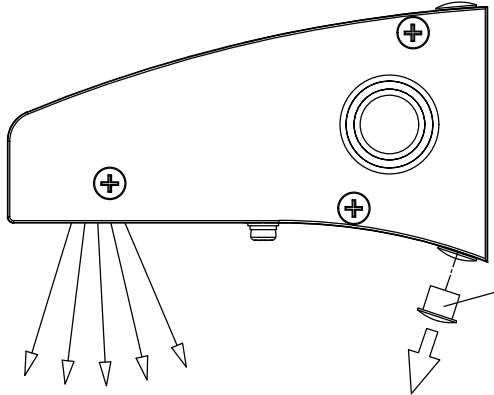
QTY	LUT-DVSTV-WH	0-10v dimming wall switch

Surge Protection

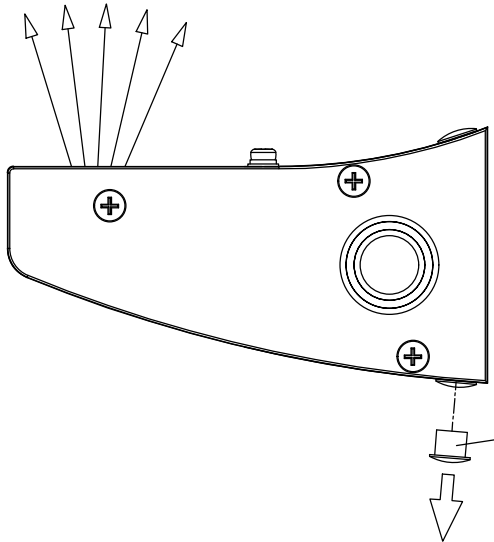
QTY	LSP4-UNV	120/277v surge protector

ORDER FORM

MOUNTING OPTIONS



Remove weep holes during installation



Remove weep holes during installation

HB40SB SERIES

ORDER FORM

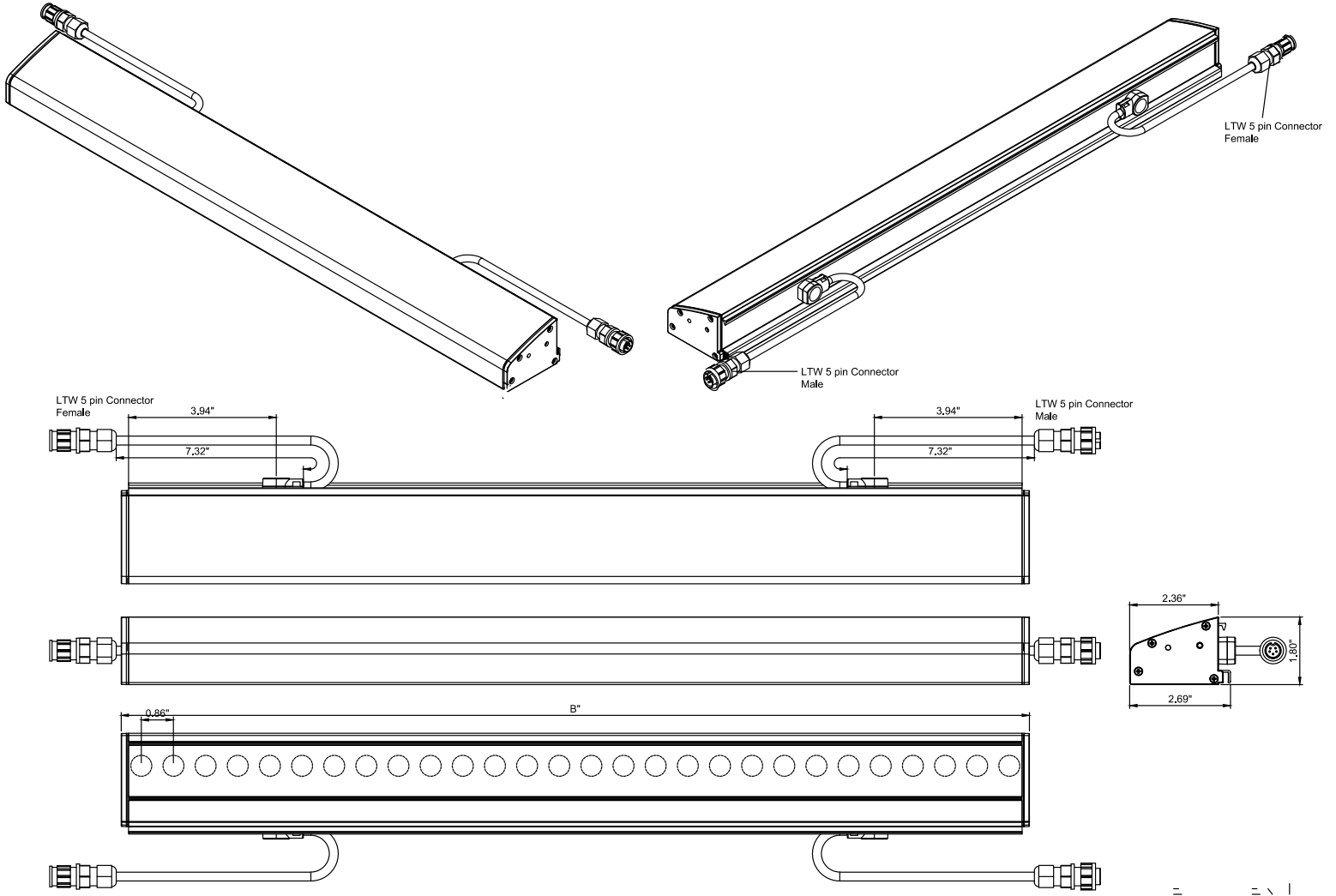
Date:

Type:

Project:

Firm:

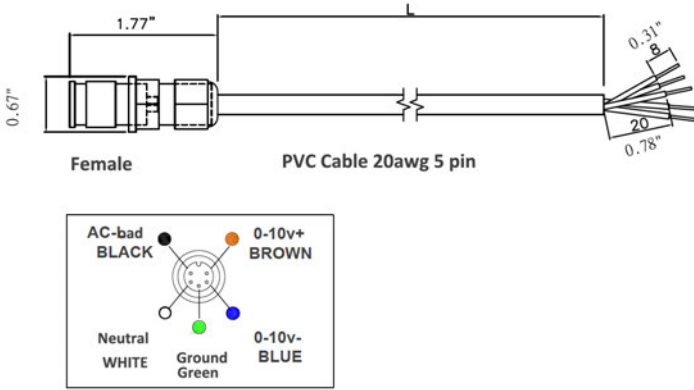
PROFILE



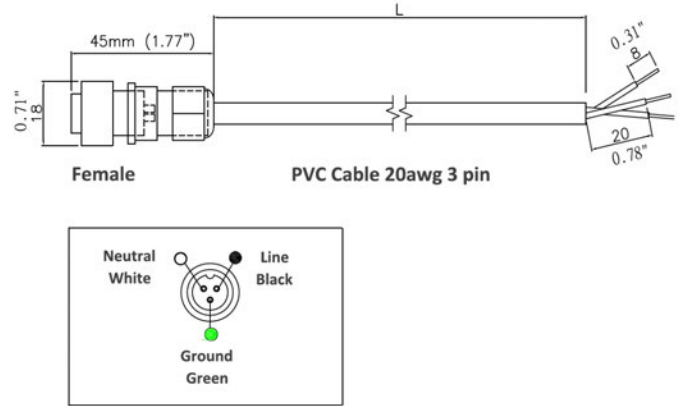
WIRING OPTIONS

WIRE LEAD

DESCRIPTION | **PART NUMBER**
 5 pin power / signal wire | AL-HB5P-xx"-W/L

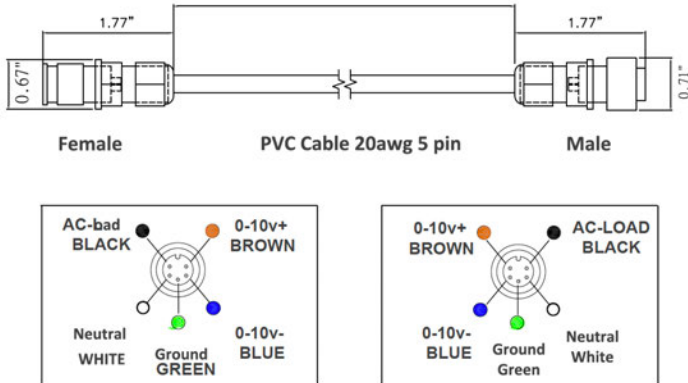


DESCRIPTION | **PART NUMBER**
 3 pin power wire | AL-HB3P-xx"-W/L

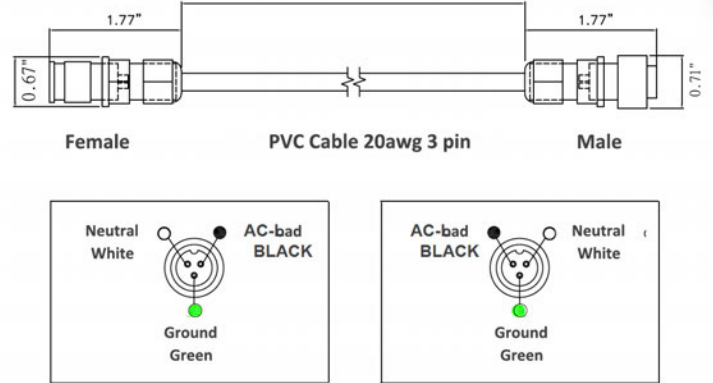


JUMPER CABLE

DESCRIPTION | **PART NUMBER**
 5 pin power / signal jumper | AL-HB5P-xx"-W/L



DESCRIPTION | **PART NUMBER**
 3 pin power jumper | AL-HB3P-xx"-J



SURGE PROTECTION DEVICE

SURGE PROTECTION

DESCRIPTION | **PART NUMBER** | The use of a surge protection device is necessary to maintain your warranty. Specifications are subject to change without notice.

Surge Protection Device | AL-LSP-UNV

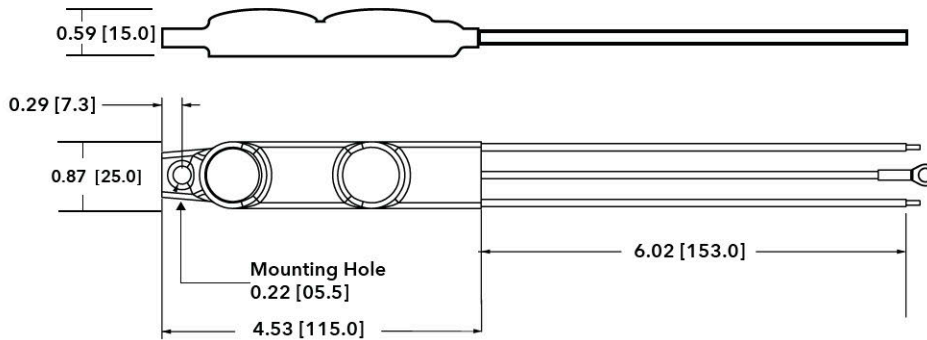
SPECIFICATIONS

Input Voltage	120-277V (+/- 5%)		
Frequency	50Hz-60Hz		
Maximum Continuous Voltage	320V		
Maximum Discharge Current	L-N 20kA; L-G, N-G 10kA (8/20Qs standard wave)		
Nominal Discharge Current	5kA		
Measured Limiting Voltage (VpK)	L-N	L-G	N-G
	1200	1320	1320
Max Case Temperature	85°C		

PULSE RATING (8 X 20 SEC)		
Surge Level	# of Strikes	
	L-N	L-G, N-G
10,000A	*2	1
6,500A	4	2
5,000A	30	15
2,000A	200	100
700A	20000	1000

*1 strike at 20,000A

MECHANICAL DIMENSIONS : IN (MM)



WIRING DIAGRAM

