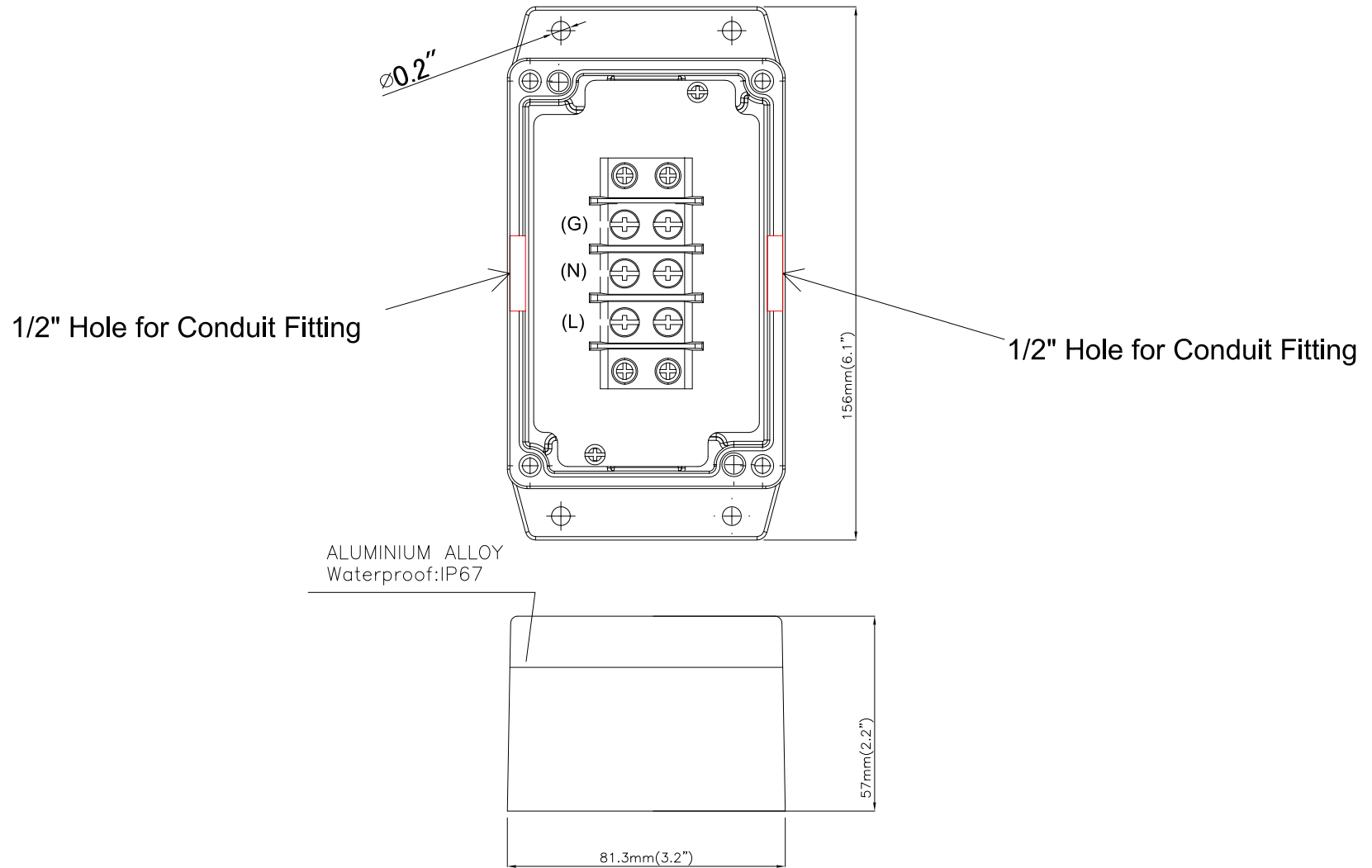


For All HB Series



DRAWING NO.

DRAWN BY

DATE

DESCRIPTION

REMARK

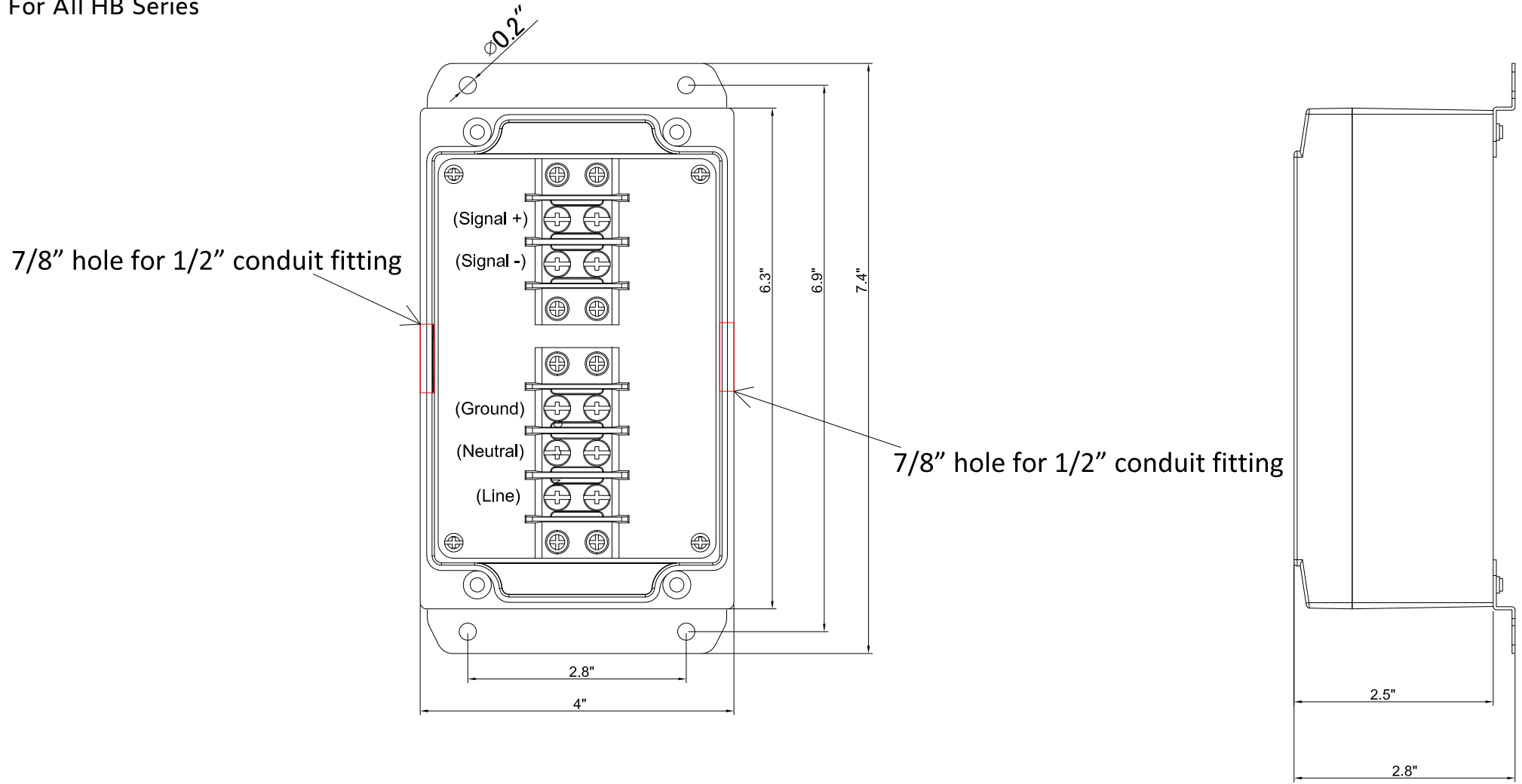
AC-2WB1-M.DWG

2024/04/15

Junction Box : For AC Power Connection



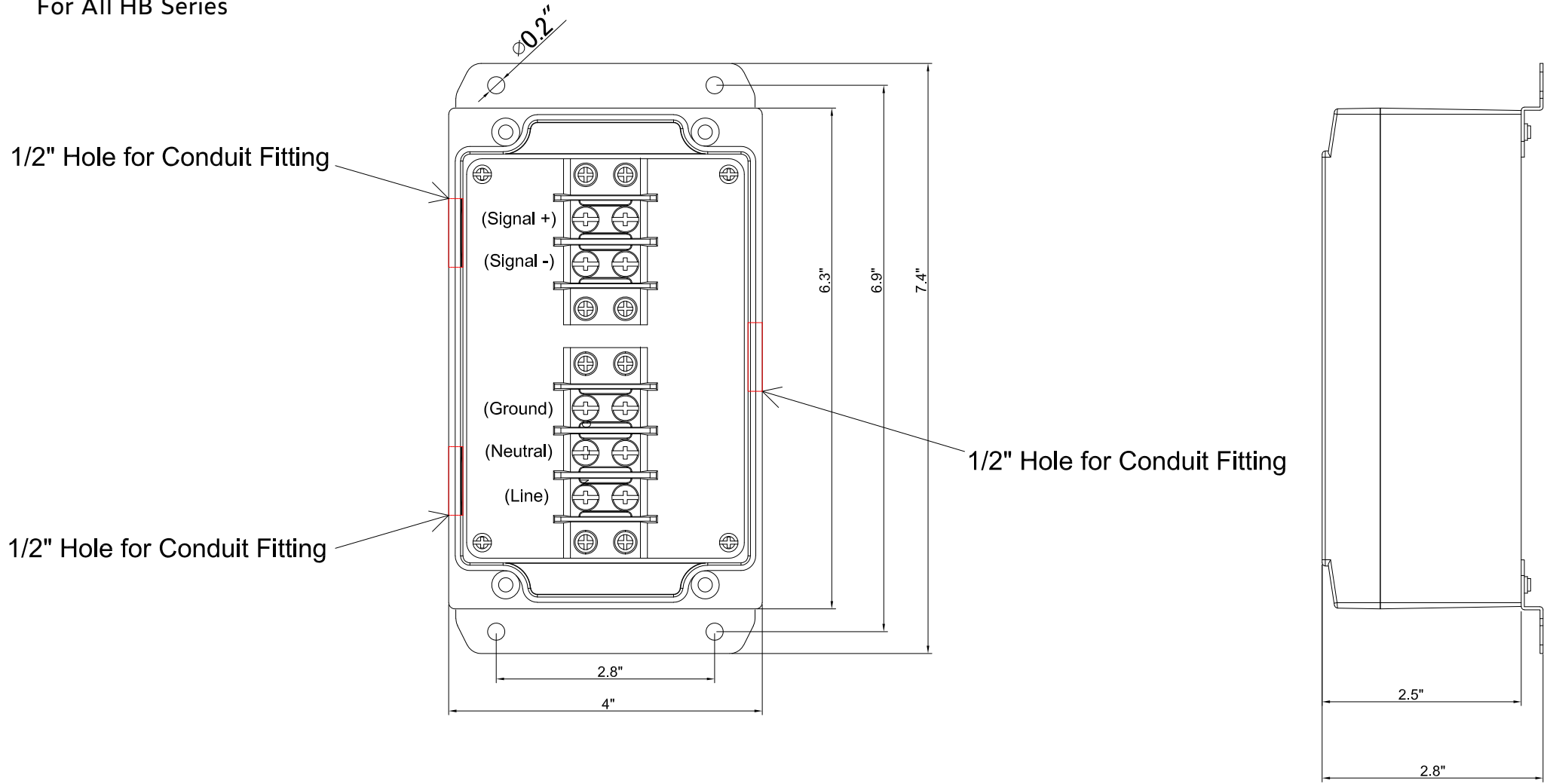
For All HB Series



DRAWING NO.	DRAWN BY	DATE	DESCRIPTION	REMARK
AC-2WB2-M.DWG		2024/06/6	Junction Box : For AC Power and Signal Connection	



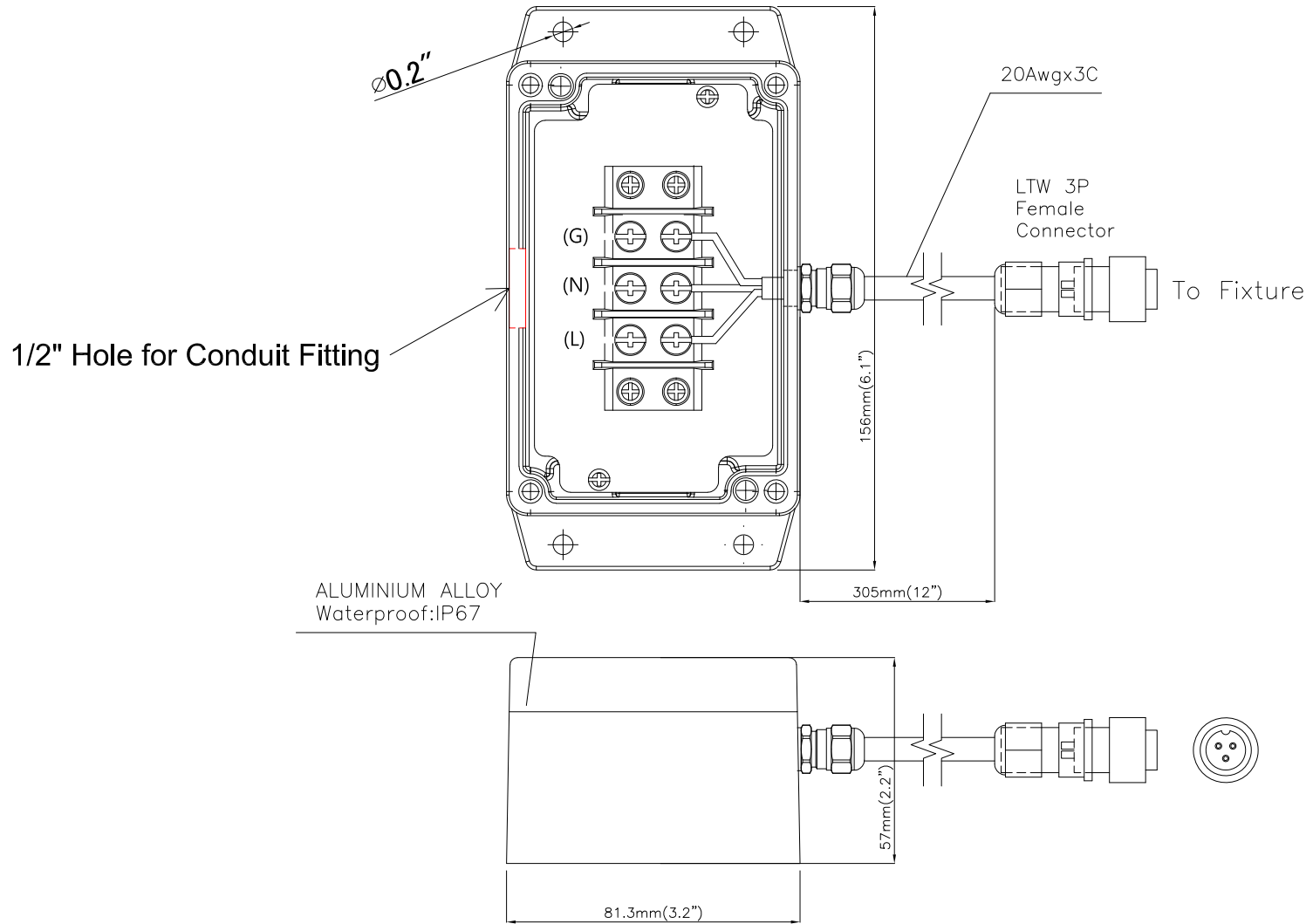
For All HB Series



DRAWING NO.	DRAWN BY	DATE	DESCRIPTION	REMARK
AC-3WB1-M.DWG		2024/04/15	Junction Box : For AC Power and Signal Connection	



For All HB30 and HB40 Series

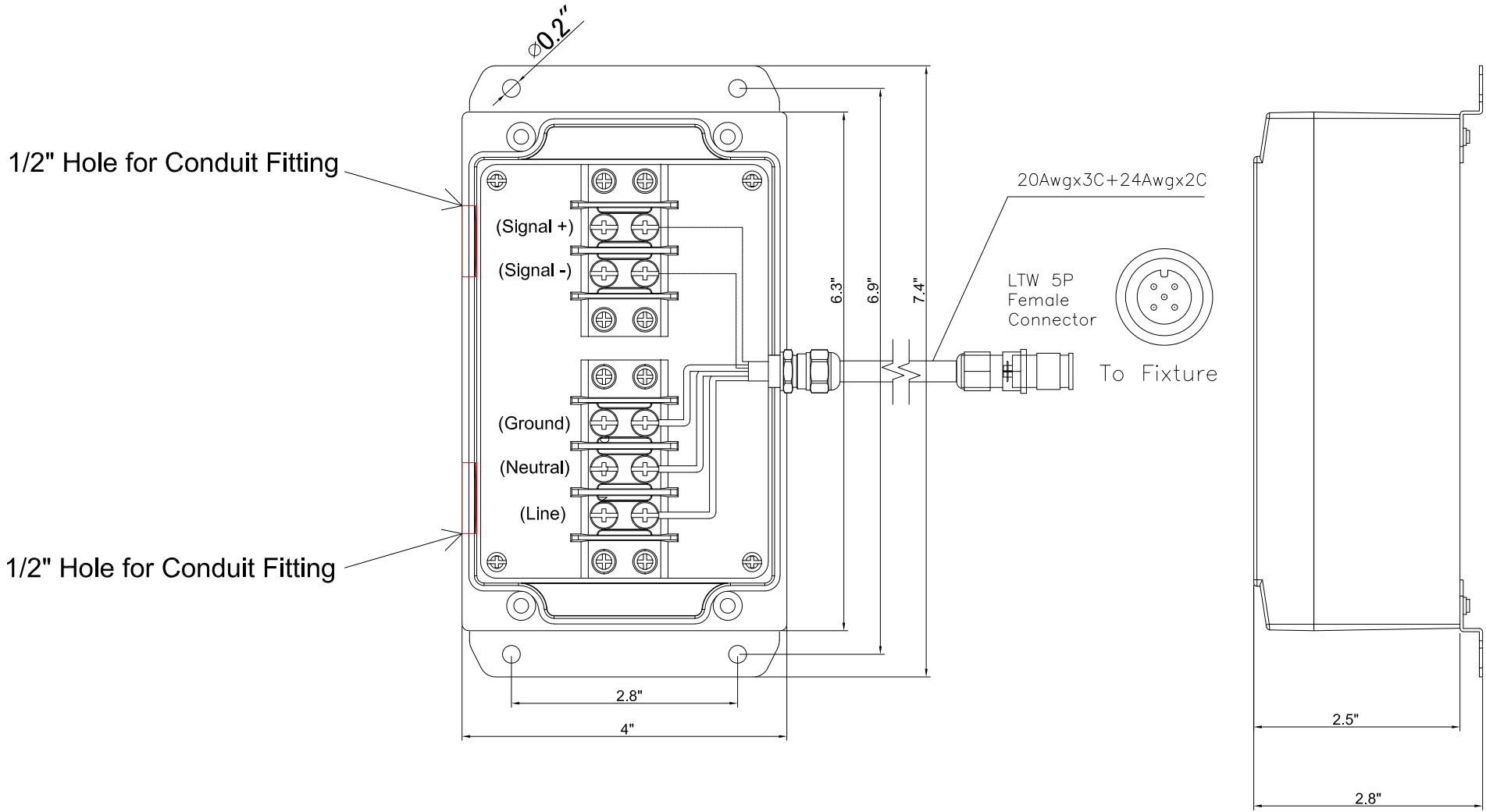


* Maximum current 4Amp

DRAWING NO.	DRAWN BY	DATE	DESCRIPTION	REMARK
AC4A-2WB1-M.DWG		2024/04/15	Junction Box : For AC Power Connection	



For All HB30 and HB40 Series

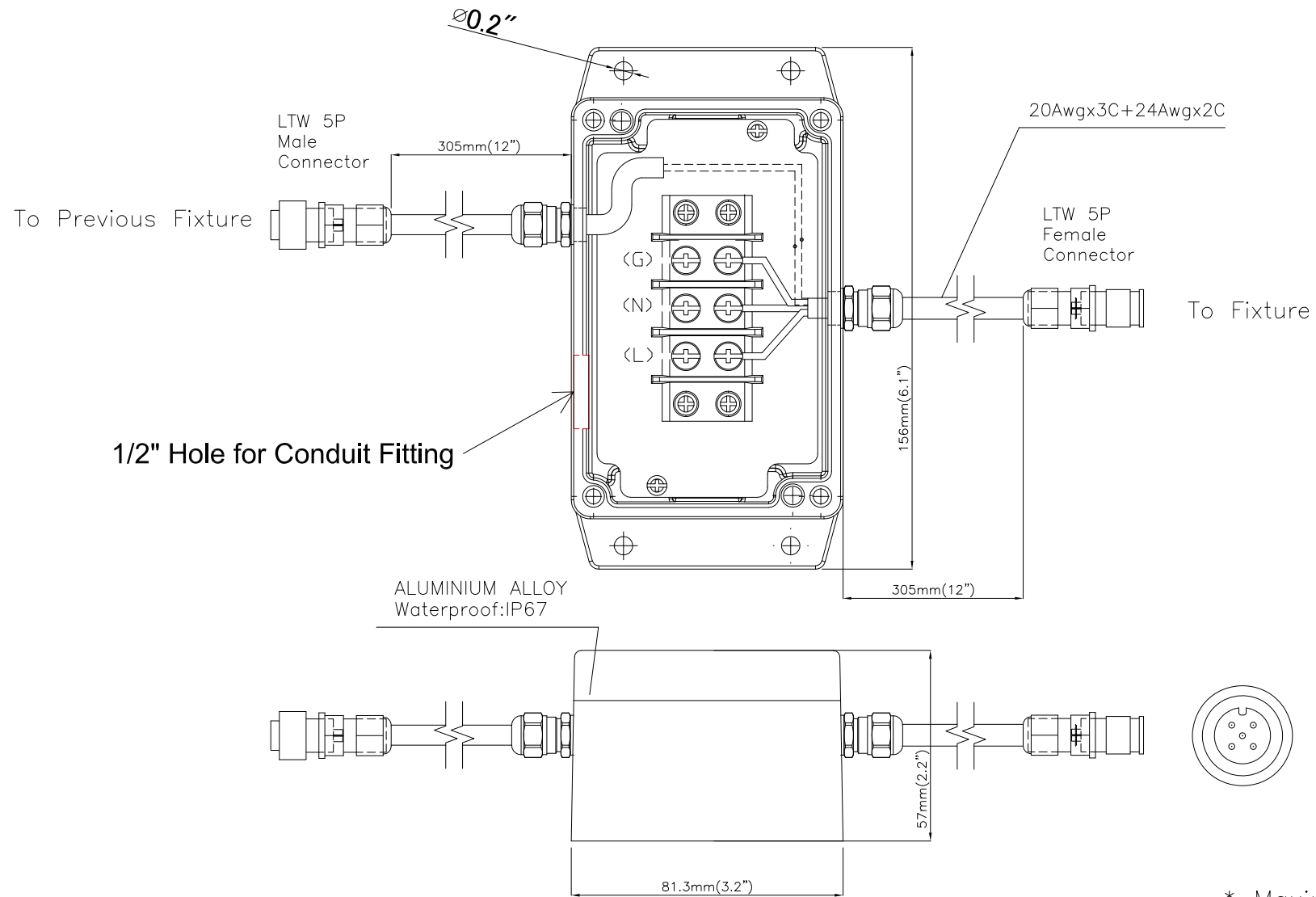


* Maximum current 4Amp

DRAWING NO.	DRAWN BY	DATE	DESCRIPTION	REMARK
AC4A-3WB1-M.DWG		2024/04/15	Junction Box : For AC Power and Signal Connection	



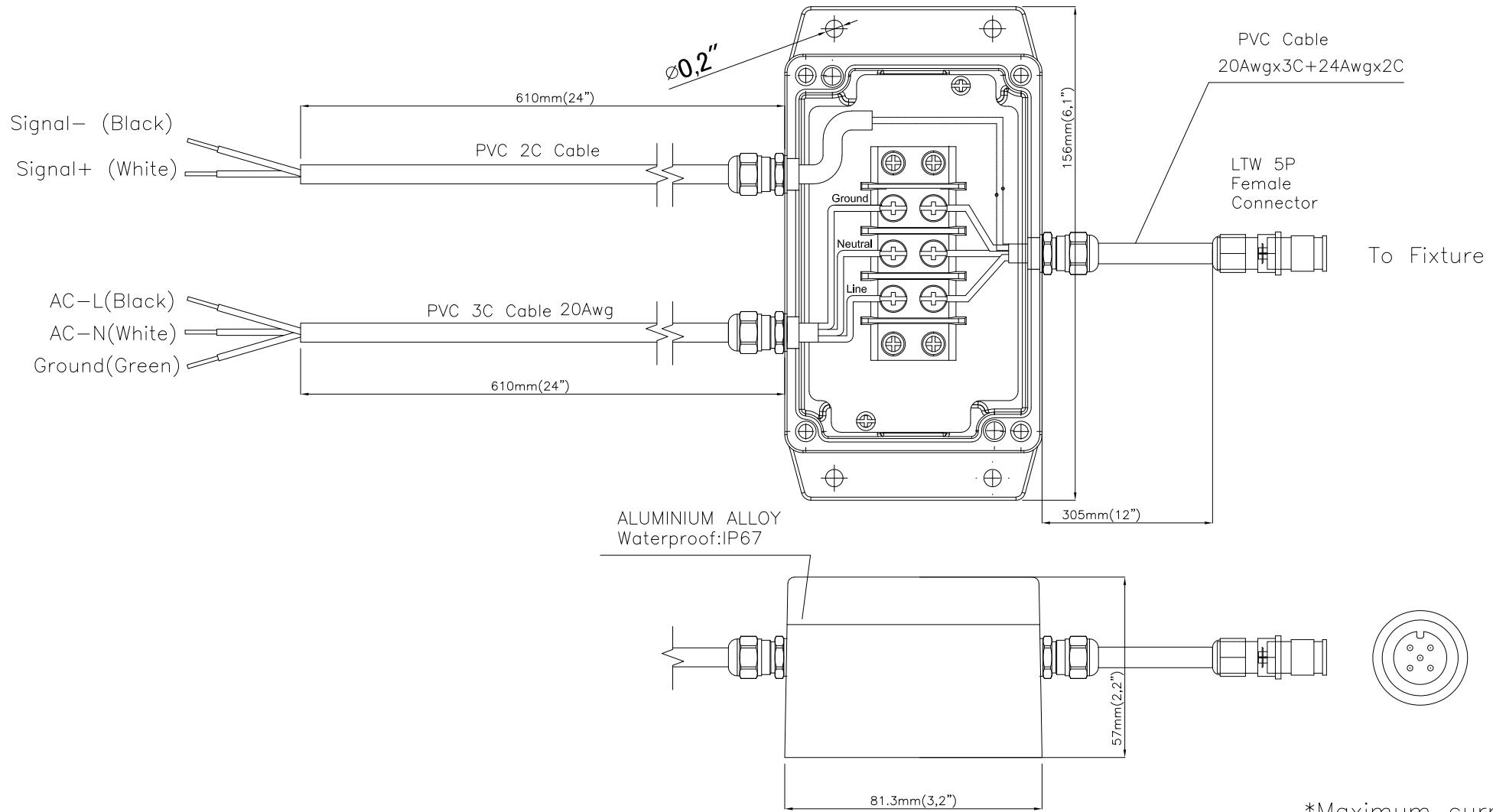
For All HB30 and HB40 Series



DRAWING NO.	DRAWN BY	DATE	DESCRIPTION	REMARK
AC4A-3WB2-M.DWG		2024/04/16	Junction Box : For AC Power and Signal Connection	



For All HB30 and HB40 Series

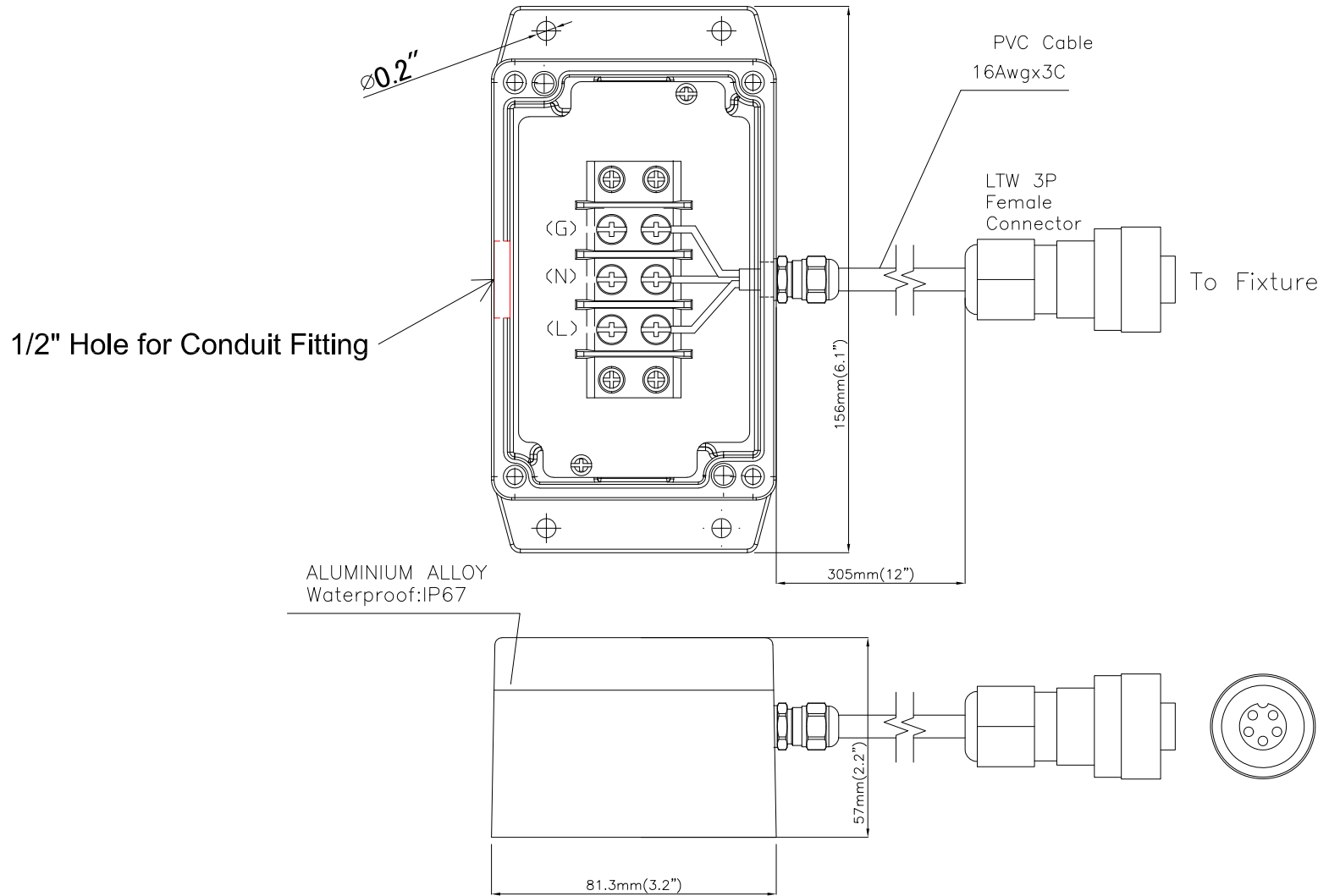


*Maximum current 4Amp

DRAWING NO.	DRAWN BY	DATE	DESCRIPTION	REMARK
AC4A-3WB3-M.DWG		2024/04/16	Junction Box : For AC Power and Signal Connection	



For All HB50 Series

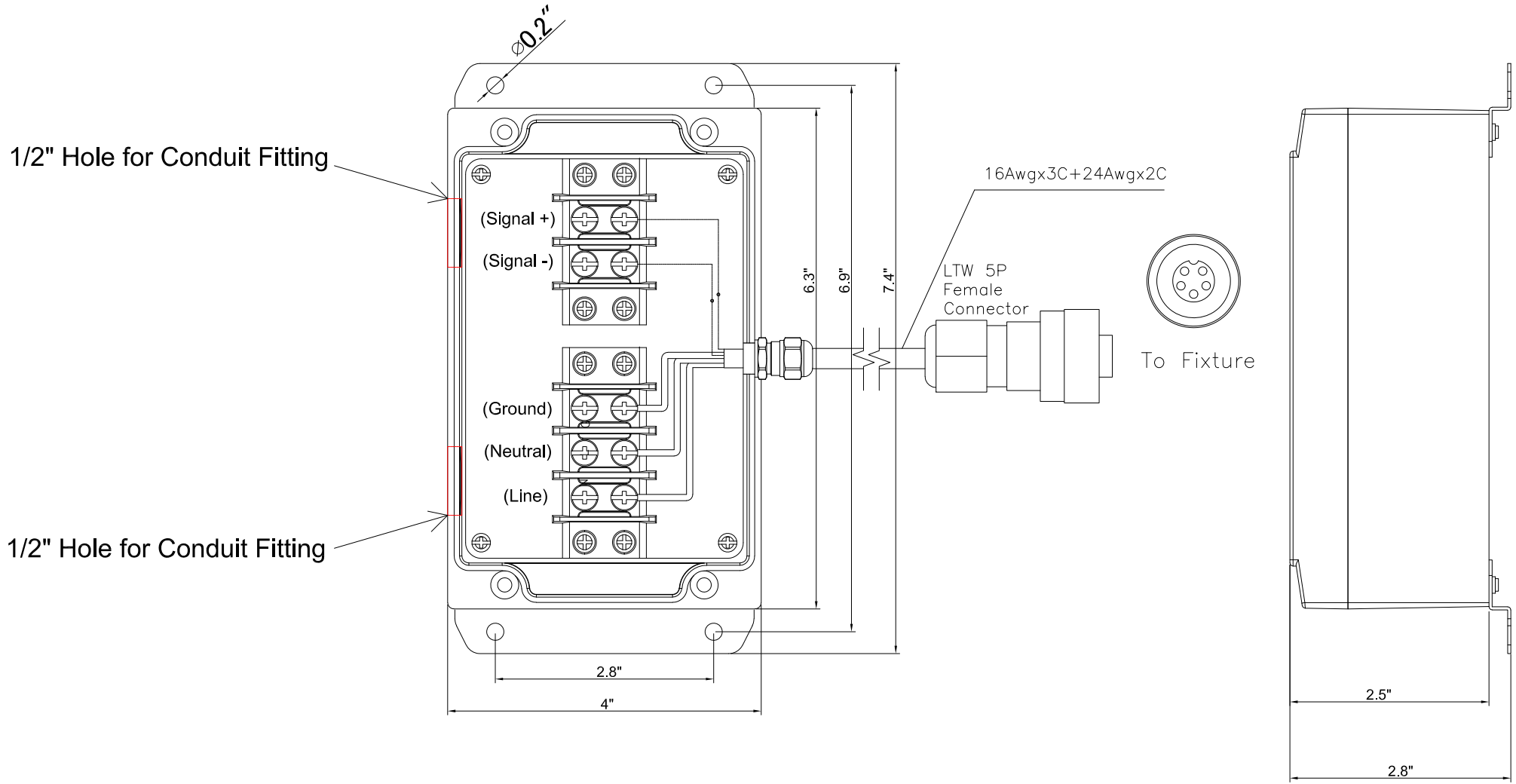


*Maximum current 8Amp

DRAWING NO.	DRAWN BY	DATE	DESCRIPTION	REMARK
AC8A-2WB1-M.DWG		2024/04/15	Junction Box : For AC Power Connection	



For All HB50 Series

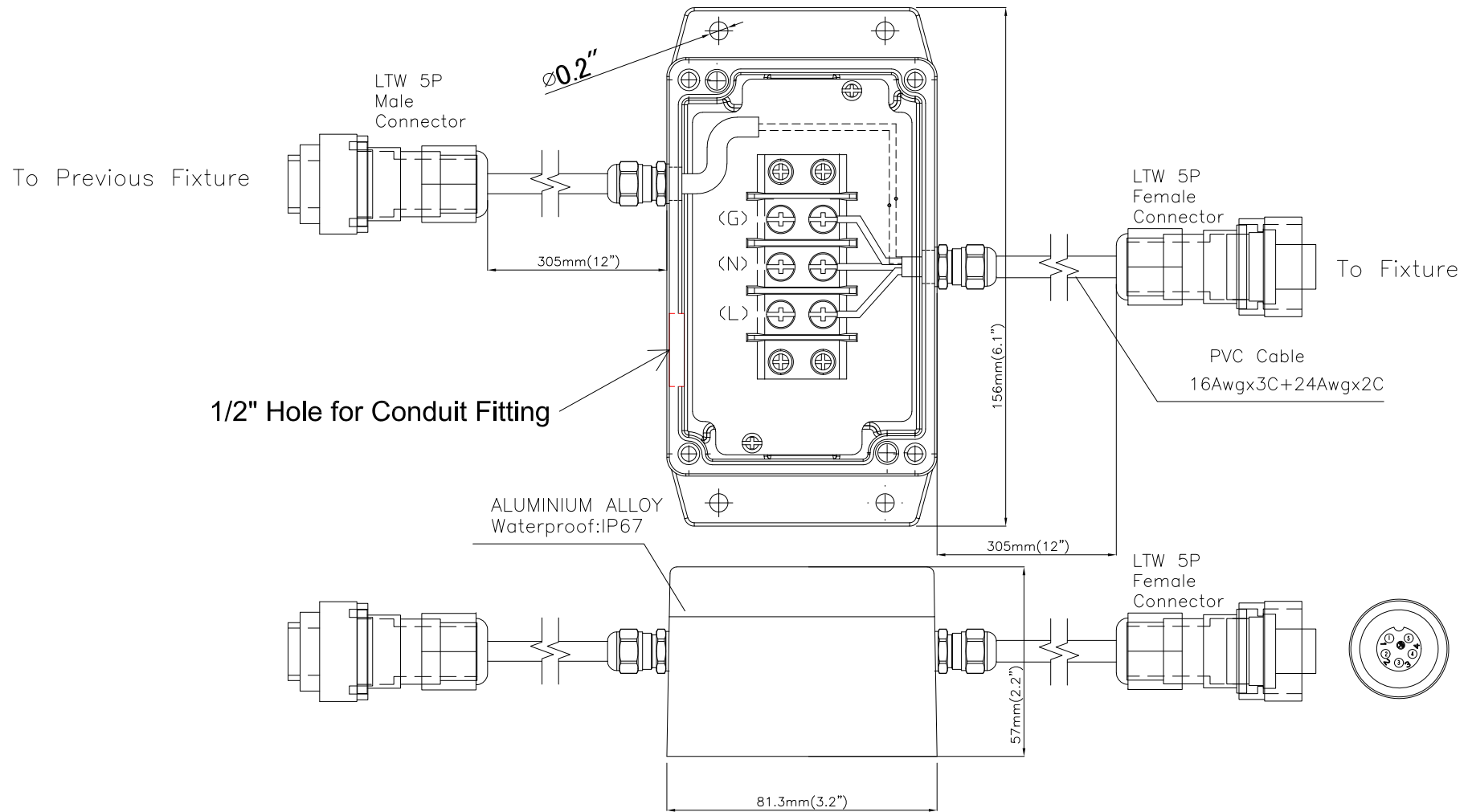


* Maximum current 8Amp

DRAWING NO.	DRAWN BY	DATE	DESCRIPTION	REMARK
AC8A-3WB1-M.DWG		2024/04/15	AC8A-3WB1-M	



For All HB50 Series



DRAWING NO.

DRAWN BY

DATE

DESCRIPTION

REMARK

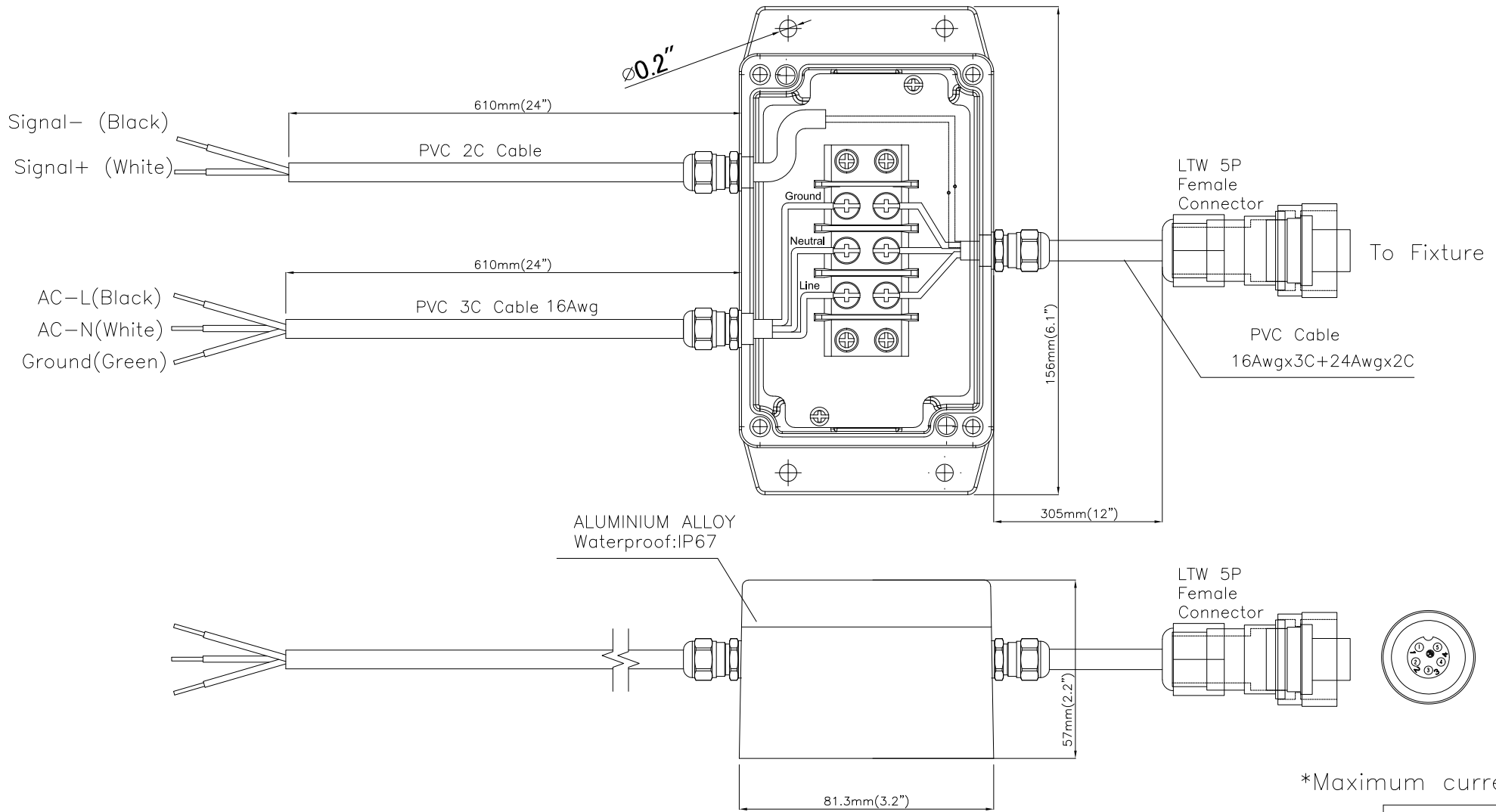
AC8A-DMX-3WB2-M.DWG

2024/04/16

Junction Box : For AC Power and Signal Connection



For All HB50 Series



DRAWING NO.	DRAWN BY	DATE	DESCRIPTION	REMARK
AC8A-3WB3-M.DWG		2024/04/16	Junction Box : For AC Power and Signal Connection	

