



HB50C RGBW

HIGH POWER LINEAR LED LIGHTBAR

High Power | High Intensity
 20w/ft | 984lm/ft | DMX

Exterior: Graze | Wall Washing | Accent | Flood Lighting



The Smart Lighting Company HB50C RGBW Series is a robust color changing LED linear architectural fixture designed to outperform more expensive brands. Delivering 20 watts per foot, this fixture is ideal for vibrant high-intensity wall grazing, washing, accent, and flood illumination. Utilizing high-quality Nichia bin-sorted LEDs, the HB50C ensures even, superior illumination that architects and lighting designers seek. This fixture is geared for powerful illumination over 60 feet, making it suitable for a variety of outdoor applications. It comes with a selection of precise optics, allowing you to achieve the exact lighting effect you desire with less energy use. The HB50C RGBW is self-contained with an integral universal 100/277VAC power supply and self-addressing features, ensuring a seamless installation process. With DMX control, multiple customization options for fixture length, optics, and finishes, and a Plug and Play system for easy setup, the HB50C is a versatile choice. Additional mounting options and accessories, like powder-coated housing with integral glare shields, make it ideal for projects requiring intense, precise lighting effects.



SPECIFICATIONS

PERFORMANCE

Output

20w/ft | 984lm/ft

Color Temperatures

RGBW

Beam Angles

15°, 20°, 30°, 45°, 60°, 75°, 90°, 120°,
15°x35°, 18°x58°, & 30°x60°

LEDs per Foot

16 (4R, 4G, 4B, 4W) LEDs/ft

LED's

Nichia bin-sorted

Color Consistency

2 SCDM

ELECTRICAL

Input Voltage

Universal 100/277VAC

Driver

Integrated Driver

Control

DMX

Resolution

Per 12" or per fixture

Heat dissipation

Full thermal management system

Connection

Quick connect plug and play system
(power and signal in one cable)

Projected Lumen Maintenance

>90,000 hours

PHYSICAL

Fixture Length Options

12", 24", 36", 48"

Max Run Length

110ft@277vac, 48ft@120vac

Housing

Extruded gray aluminum

Lens

Tempered Glass

Fixture Finish (Standard)

Anodized aluminum

Powder Coated Finish (Optional)

Black, Bronze, White, CU

Standard Mounting

Adjustable brackets

Optional Mounting

Powder-coated housing | extended arms or
ground post stakes

Operating Temperature

-40°F to 122°F, (-40°C to +50°C)

ENVIRONMENT AND WARRANTY

IP Rating

IP66

Environment

Dry, Damp or Wet locations
0-100% non-condensing humidity

Certifications

UL, cUL

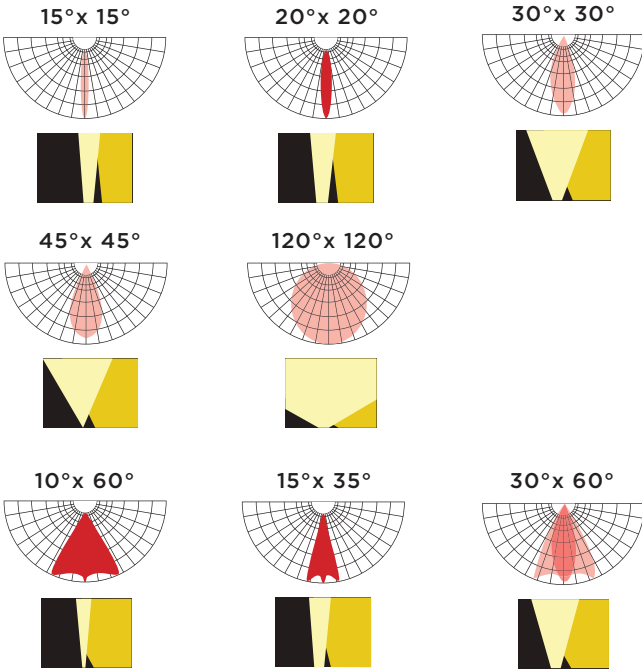
Warranty

5 year limited warranty

SPECIFICATIONS

PHYSICAL

OPTICS



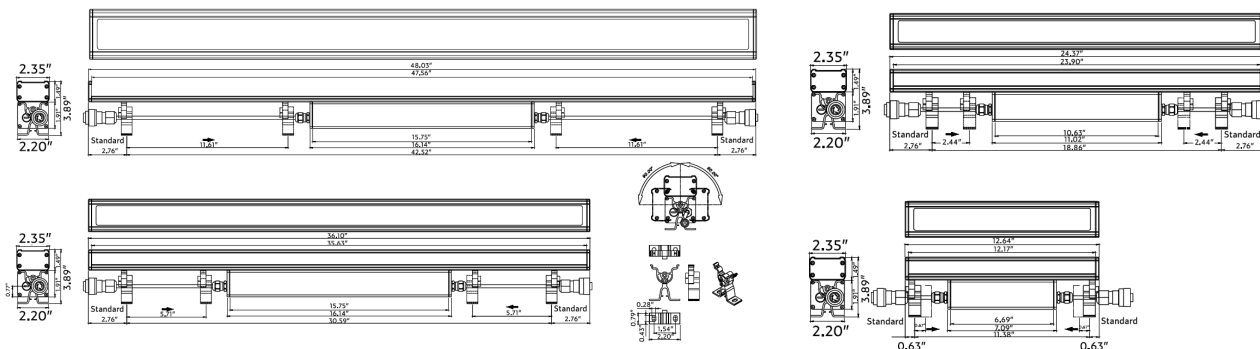
COLOR TEMPERATURES



DIMENSIONS AND DATA

| Model Number | Voltage | View Angle | Watts/Fixture | Lumens/Fixture | LEDs/Fixture | Extrusion Length | Total Length |
|--------------------------|------------|---------------------|---------------|----------------|--------------------|------------------|----------------|
| HB50C-12"-RGBW-XXD-AC-DX | 100-277VAC | 15°, 20°, 30°, 45° | 20 | 984lm | 4R, 4G, 4B, 4W | 12.17" (309mm) | 12.64" (321mm) |
| HB50C-24"-RGBW-XXD-AC-DX | | 60°, 75°, 90°, 120° | 40 | 1968lm | 8R, 8G, 8B, 8W | 23.90" (607mm) | 24.37" (619mm) |
| HB50C-36"-RGBW-XXD-AC-DX | | 15°x35°, 18°x58° | 60 | 2952lm | 12R, 12G, 12B, 12W | 35.63" (905mm) | 36.1" (917mm) |
| HB50C-48"-RGBW-XXD-AC-DX | | 30°x60° | 80 | 3936lm | 16R, 16G, 16B, 16W | 47.56" (1208mm) | 48" (1220mm) |

PROFILE



HB50C

HIGH POWER LINEAR
LED LIGHTBAR

Date:

Type:

Project:

Firm:

ORDER FORM

CREATE YOUR FIXTURE

Ex. HB50C-48-RGBW65-3060-AC-DM

| MODEL | LENGTH | COLOR | OPTICS |
|---------------|--|---|--|
| HB50C | 12" 12 inches 24" 24 inches 36" 36 inches 48" 48 inches | RGBW 27k 2700k 30k 3000k Select the W - 65k is standard 35k 3500k 41k 4100k 50k 5000k 65k 6500k A Amber | 15 15°x15° 1535 15°x35° 20 20°x20° 1858 18°x58° 30 30°x30° 3060 30°x60° 45 45°x45° 60 60°x60° 75 75°x75° 90 90°x90° 120 120°x120° |
| VOLTAGE | CONTROL | | |
| AC 100-277vac | DM Addressable /12" DS Addressable/fixture | | |

SELECT CONNECTION

Wire Lead

| QTY | POWER/SIGNAL | |
|-----|------------------|---|
| | HB50-5P-72"-W/L | 72" (6ft) Wire Lead |
| | HB50-5P-xx"- W/L | xx" (CU) Wire Lead (custom length – consult factory) |

* 1 wire lead and end cap required for each run.

End Cap

| QTY | | |
|-----|-----------------|---------|
| | HB50-5P-END CAP | End cap |

Jumper Cable

| QTY | POWER/SIGNAL | |
|-----|---------------|--|
| | HB50-5P-12"-J | 12" (1ft) Jumper Cable |
| | HB50-5P-72"-J | 72" (6ft) Jumper Cable |
| | HB50-5P-xx"-J | xx" (CU) Jumper Cable (custom length – consult factory) |

ADDITIONAL OPTIONS

Optional Powder Coated Finish

| QTY | POWDER COATED FINISHES AVAILABLE FOR ADDITIONAL COST | |
|-----|--|--------|
| | BK | Black |
| | BZ | Bronze |
| | WH | White |
| | CU | Custom |

* Fixture housing is anodized aluminum standard

DMX Controller

| QTY | | |
|-----|-------------------|----------------|
| | NIC-DMX-STICK-DE3 | DMX controller |

Surge Protection

| QTY | | |
|-----|----------|--------------------------|
| | LSP4-UNV | 120/277v surge protector |

Junction Boxes

| QTY | | |
|-----|---------------|---|
| | AC8A-DMX-3WB1 | Power and CAT5 signal splitter |
| | AC8A-DMX-3WB2 | AC Power amplifier for long run lengths |
| | AC8A-DMX-3WB3 | Power and Wire lead signal splitter |

* Used in place of wire leads to separate power and signal

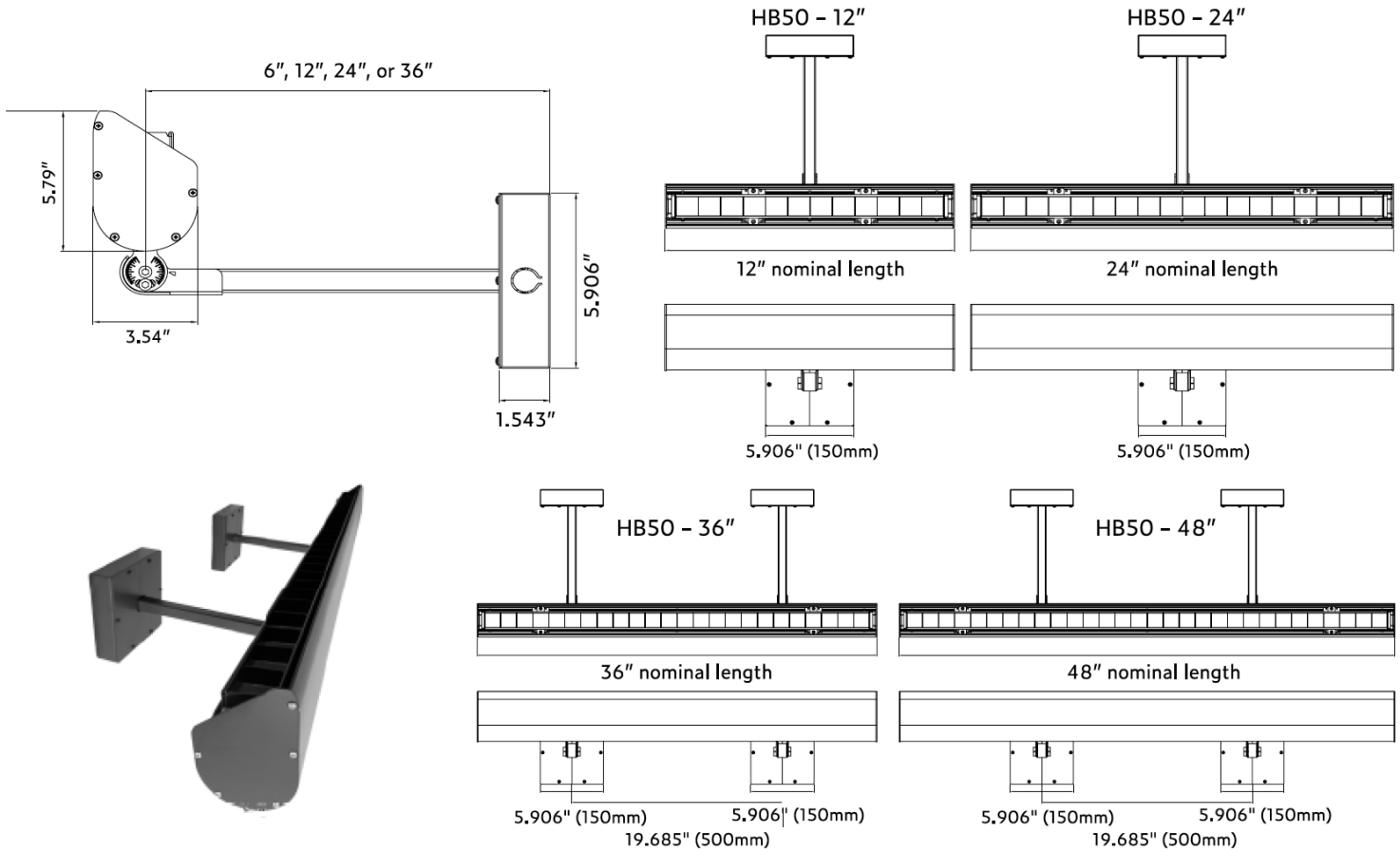
ORDER FORM

MOUNTING OPTIONS

Housing and Extended Arms

HB50EXT-XXL-XXF-XXA (L=Length, F=Finish, A= Extended arm length)

| QTY | Housing | (L) Housing Length | (F) Finish | (A) Extended Arm Length |
|-----|----------|--------------------|-------------|-------------------------|
| | HB50EXT- | 12" | BK - Black | 6" |
| | | 24" | BZ- Bronze | 12" |
| | | 36" | WH - White | 18" |
| | | 48" | SI - Silver | 24" |
| | | | CU - Custom | 36" |
| | | | | GPA (Ground Post Arm) |



* Standard fixture housing is anodized aluminum. Powder coating is available from factory in Black, Bronze, Silver, White, or custom.
 * There is a minimum quantity for powder coating or a surcharge will be added. Custom colors available upon request and will require a cost adder.
 * 1ft & 2ft extrusions require one ground post stake (HBEXP-GPS). 3ft & 4ft extrusions require two ground post stakes (HBEXP-GPS).

ORDER FORM

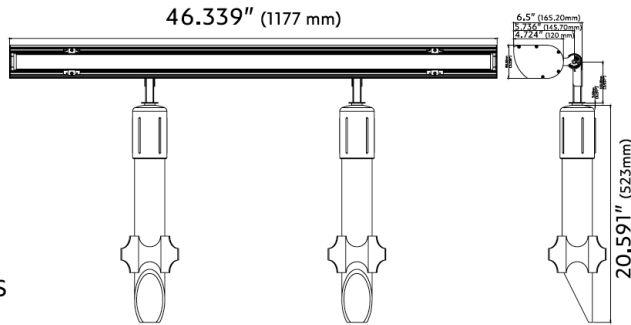
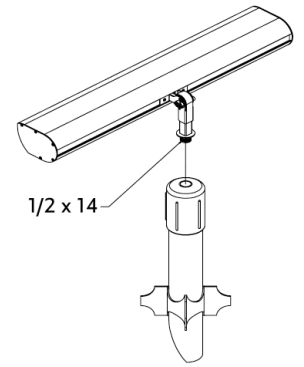
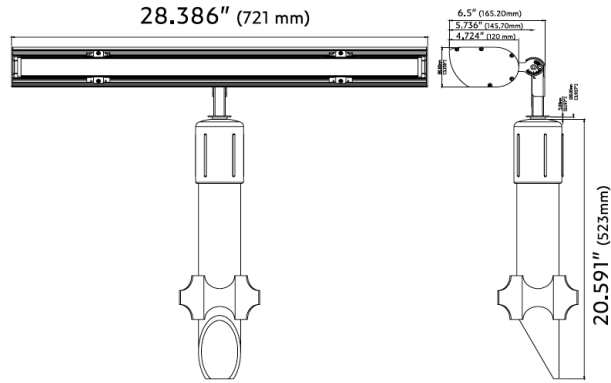
Ground Posts Stakes

QTY **Select when using GPA above (1 per fixture for 12" & 24" housing and 2 for 36" & 48" housing)**
 HBEXT-GPS Ground post mount

1ft & 2ft extrusions require one HBEXT-GPS. 3ft & 4ft extrusions require two HBEXT-GPS.



* 12" & 24" extrusions require one HBEXT-GPS
 * 36" & 48" extrusions require two HBEXT-GPS



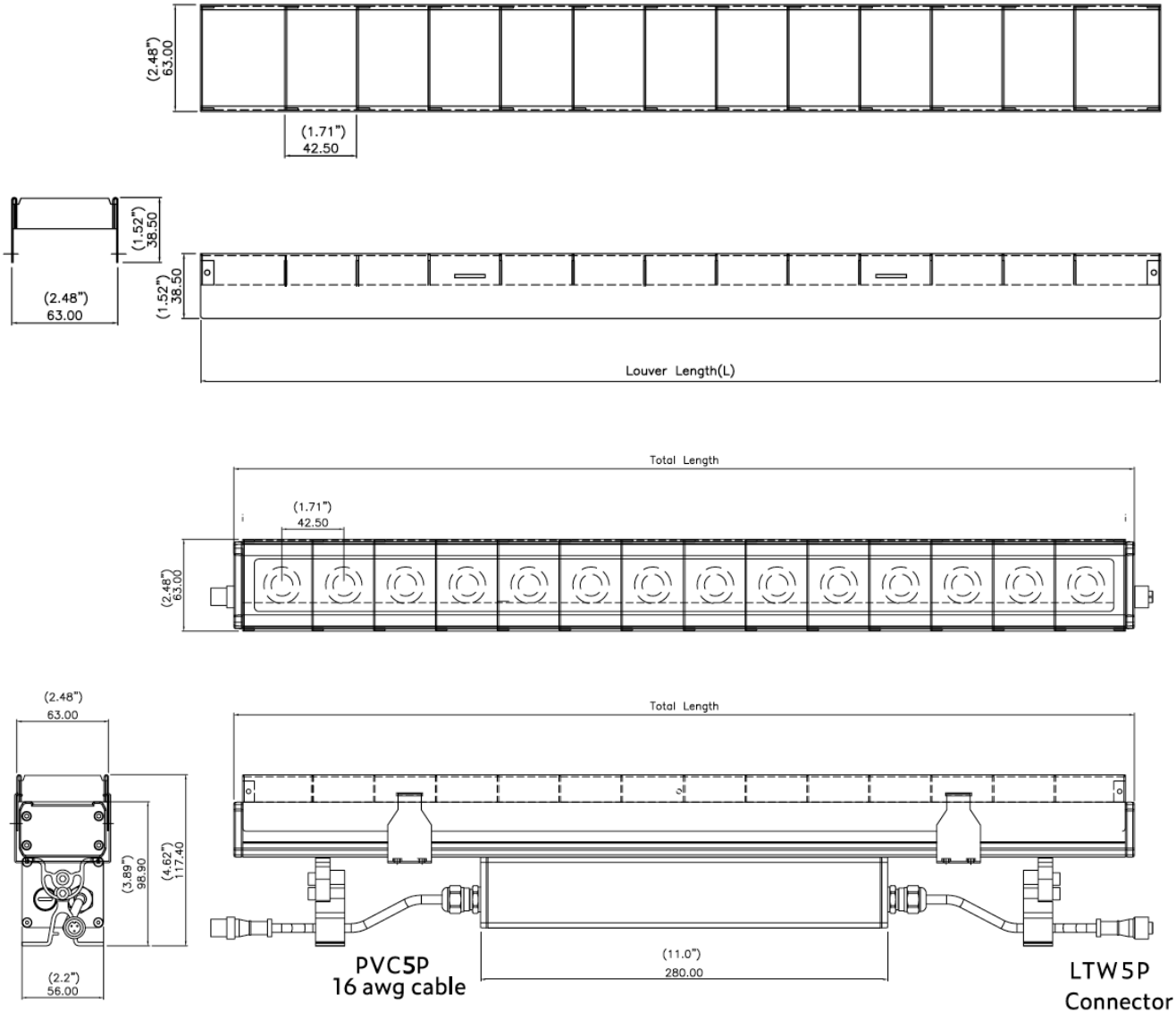
GLARE PROTECTION

LOUVERS

Glare Protection

Standard louvers are in Black. Louvers are also available in Bronze, White, or custom.

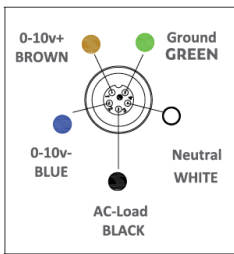
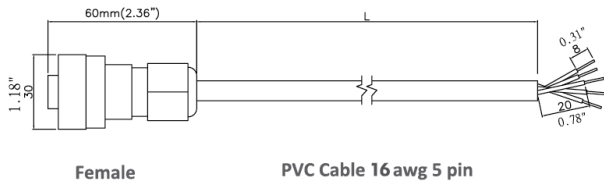
| QTY | Housing | Standard Inch | LEDs/unit | LEDs/Pitch | Louver Length | Total Length | (F) Finish |
|-----|-----------------|---------------|-----------|-----------------|-----------------|----------------|-------------|
| | HB50-12" LOUVER | 12" | 6 | 42.5 mm/1.71 in | 309 mm/12.2 in | 321 mm/12.6 in | BK - Black |
| | HB50-24" LOUVER | 24" | 12 | 42.5 mm/1.71 in | 607 mm/23.9 in | 619 mm/24.4 in | BZ - Bronze |
| | HB50-36" LOUVER | 36" | 18 | 42.5 mm/1.71 in | 905 mm/35.6 in | 917 mm/36.1 in | WH - White |
| | HB50-48" LOUVER | 48" | 24 | 42.5 mm/1.71 in | 1208 mm/47.6 in | 1220 mm/48 in | SI - Silver |
| | | | | | | | CU - Custom |



WIRING OPTIONS

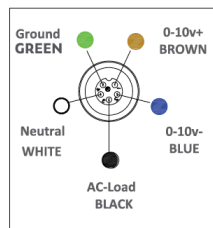
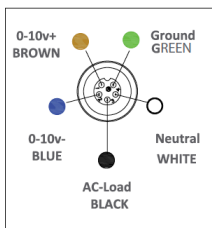
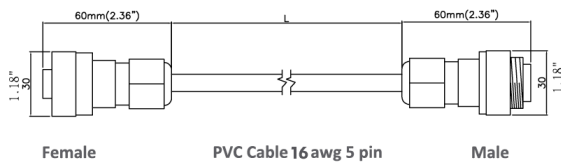
WIRE LEAD

DESCRIPTION | **PART NUMBER**
 5 pin Power/Signal | HB50-5P-xx" 16W/L



JUMPER CABLE

DESCRIPTION | **PART NUMBER**
 5 pin Power/Signal | HB50-5P-xx" 16J



POWER/SIGNAL

DISTRIBUTION BOXES

Date: _____
 Type: _____
 Project: _____
 Firm: _____

* Custom cable lengths available

JUNCTION BOX - POWER AND CAT5 SIGNAL SPLITTER

JUNCTION BOX

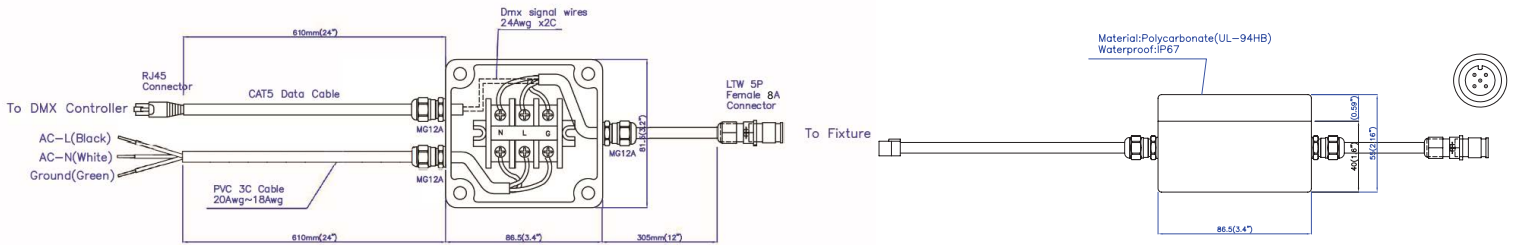
AC8A-DMX-3WB1

INPUT

24" PVC Cat5 Cable for DMX Data
 24" PVC Cable (3 leads) for AC Power

OUTPUT

12" Cable w/5P 16g Female 8A Connector



JUNCTION BOX-AC POWER AMPLIFIER FOR LONG RUN LENGTHS

JUNCTION BOX

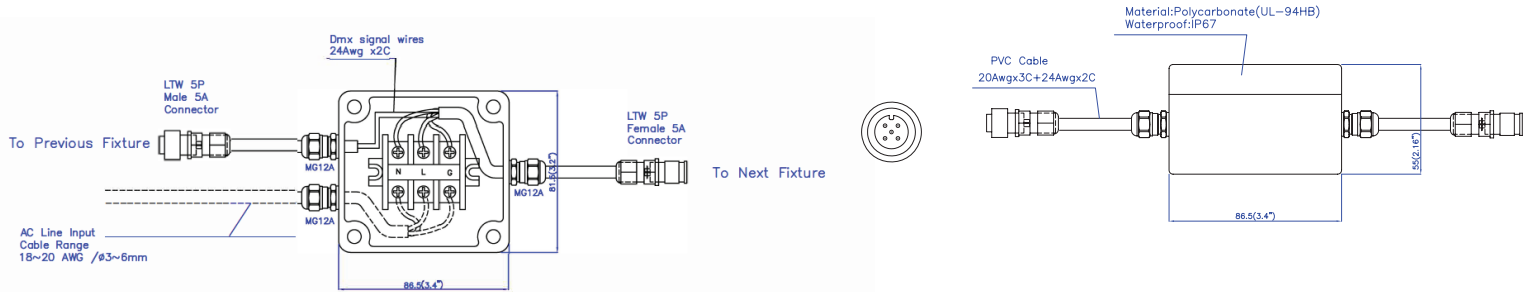
AC8A-DMX-3WB2

INPUT

12" PVC Cable w/5P 16g Male 8A Connector

OUTPUT

12" PVC Cable w/5P 16g Female 8A Connector



JUNCTION BOX - POWER AND WIRE LEAD SIGNAL SPLITTER

JUNCTION BOX

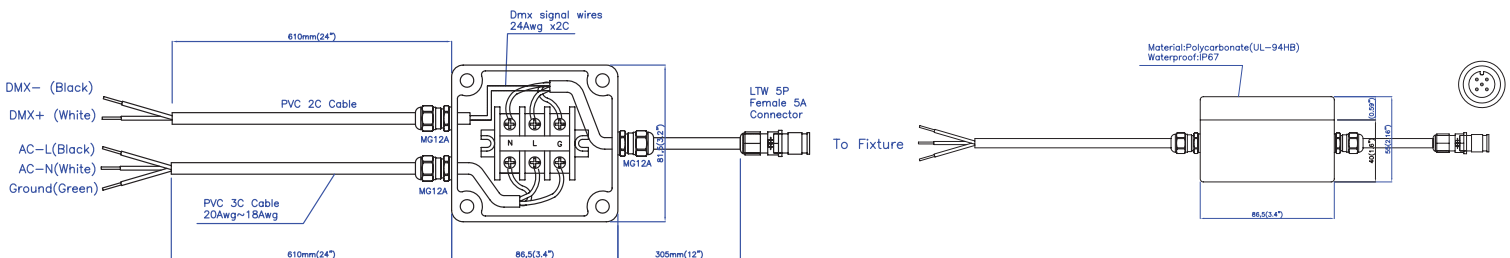
AC8A-DMX-3WB3

INPUT

24" PVC Cable (2 leads) for DMX Data
 24" PVC Cable (3 leads) for AC Power

OUTPUT

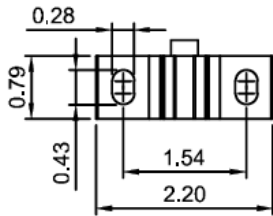
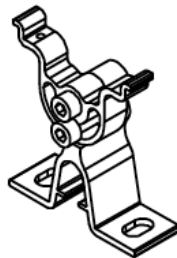
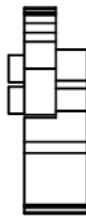
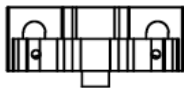
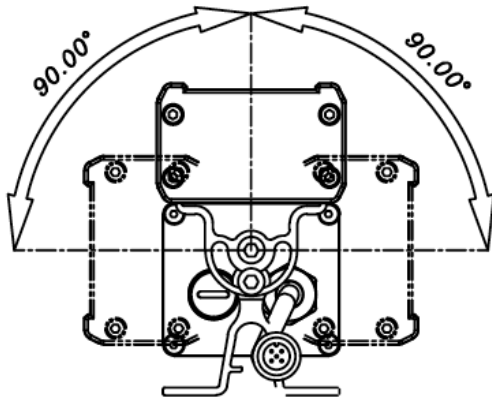
12" Cable w/5P 16g Female 8A Connector



MOUNTING BRACKETS

INTEGRATED ADJUSTABLE BRACKETS

| DESCRIPTION | PART NUMBER |
|-------------------------|---------------------|
| HB50 Adjustable Bracket | AL-HB50 ADJ.Bracket |



SURGE PROTECTION DEVICE

Date:
 Type:
 Project:
 Firm:

SURGE PROTECTION

DESCRIPTION

Surge Protection Device

PART NUMBER

AL-LSP-UNV

The use of a surge protection device is necessary to maintain your warranty. Specifications are subject to change without notice.

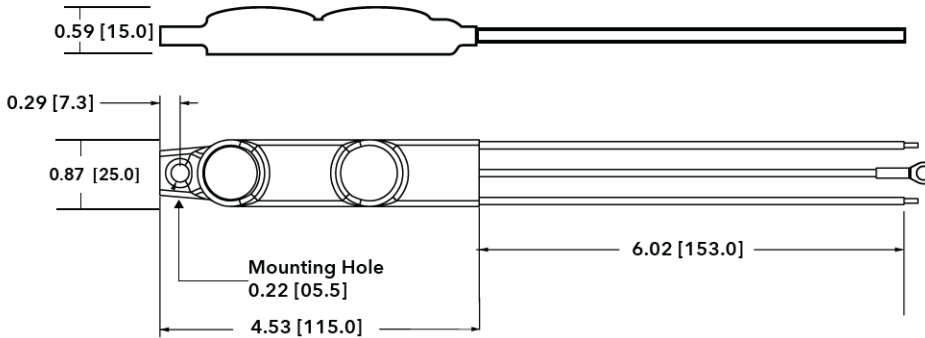
SPECIFICATIONS

| | | | |
|---------------------------------|--|------|------|
| Input Voltage | 120-277V (+/- 5%) | | |
| Frequency | 50Hz-60Hz | | |
| Maximum Continuous Voltage | 320V | | |
| Maximum Discharge Current | L-N 20kA; L-G, N-G 10kA (8/20Qs standard wave) | | |
| Nominal Discharge Current | 5kA | | |
| Measured Limiting Voltage (VpK) | L-N | L-G | N-G |
| | 1200 | 1320 | 1320 |
| Max Case Temperature | 85°C | | |

| PULSE RATING (8 X 20 SEC) | | |
|---------------------------|--------------|----------|
| Surge Level | # of Strikes | |
| | L-N | L-G, N-G |
| 10,000A | *2 | 1 |
| 6,500A | 4 | 2 |
| 5,000A | 30 | 15 |
| 2,000A | 200 | 100 |
| 700A | 20000 | 1000 |

*1 strike at 20,000A

MECHANICAL DIMENSIONS : IN (MM)



WIRING DIAGRAM

