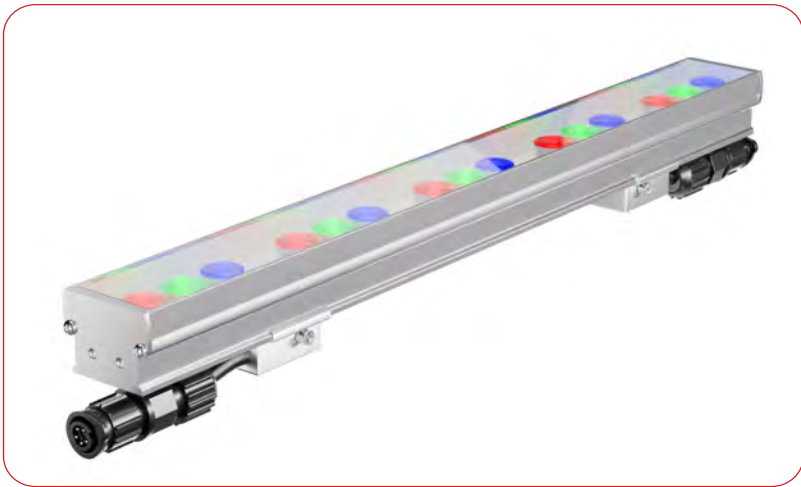


HB3015i RGB

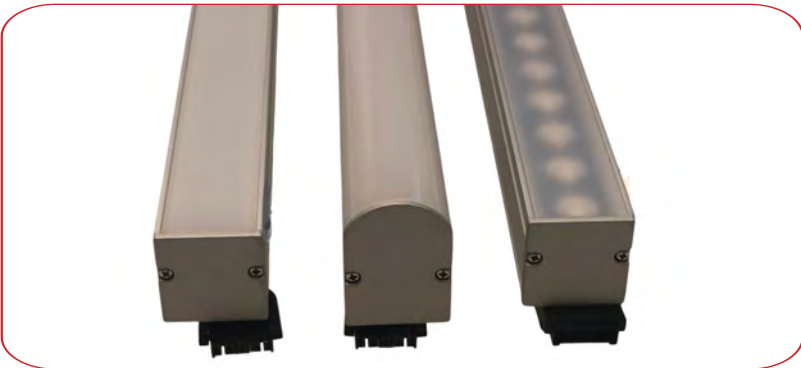
INTERIOR LINEAR LED LIGHTBAR

POWERFUL | COMPACT | LOW PROFILE
 6w/ft | RGB | DMX

Grazing | Wall Washing | Cove Lighting



The Smart Lighting Company HB3015i RGB Series is an economical specification-grade interior luminaire offering a compact, low-profile design for efficient wall washing, grazing, and cove illumination. This high-performance fixture, part of the versatile HB30 Series, is equipped with a 100/277VAC integral driver, enabling longer runs and simplified installation via Plug & Play connectors. Utilizing Nichia bin-sorted LEDs, it delivers consistent, high-quality light, making it a top choice for architects and lighting designers. Its optical lenses are expertly crafted to enhance light output while reducing power consumption. DMX controlled and self-addressing, the HB3015i RGB offers customization with various fixture lengths, optics, and finishes. Fixtures contain an integral universal power supply and full thermal management, and feature a choice of bottom or side wire feeds, ensure easy integration into narrow spaces. Ideal for creating dynamic and visually appealing environments, this fixture is perfect for adding a touch of sophistication to any interior setting.



HB30i Family



SPECIFICATIONS

Date:

Type:

Project:

Firm:

PERFORMANCE

Output

6w/ft

Color Temperatures

RGB

Beam Angles

15°, 30°, 45°, 60°, 75°, 90°, 120°, 30°x60°

LEDs per Foot

15 (5R, 5G, 5B)

LED's

Nichia bin-sorted

Color Consistency

2 SCDM

ELECTRICAL

Input Voltage

100-277vac

Power Supply

Integral

Control

DMX

Resolution

Per 12" or per fixture

Heat dissipation

Full thermal management system

Connection

Quick connect plug and play system
(power and signal in one cable)

Projected Lumen Maintenance

>90,000 hours

PHYSICAL

Fixture Length Options

12", 24", 36", 48"

Max Run Length

197ft@277vac, 85ft@120vac

Housing

Anodized extruded aluminum, tooled end caps

Lens

Polycarbonate

Fixture Finish (Standard)

Anodized aluminum

Powder Coated Finish (Optional)

Black, Bronze, White, CU

Standard Mounting

Stainless adjustable or flat brackets

Operating Temperature

-40°F to 122°F, (-40°C to 50°C)

ENVIRONMENT AND WARRANTY

IP Rating

IP40

Environment

Dry locations

Certifications

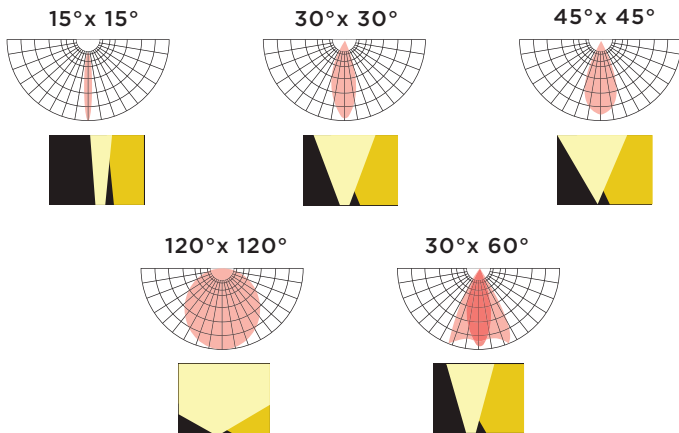
UL, cUL

Warranty

5 year limited warranty

SPECIFICATIONS

OPTICS



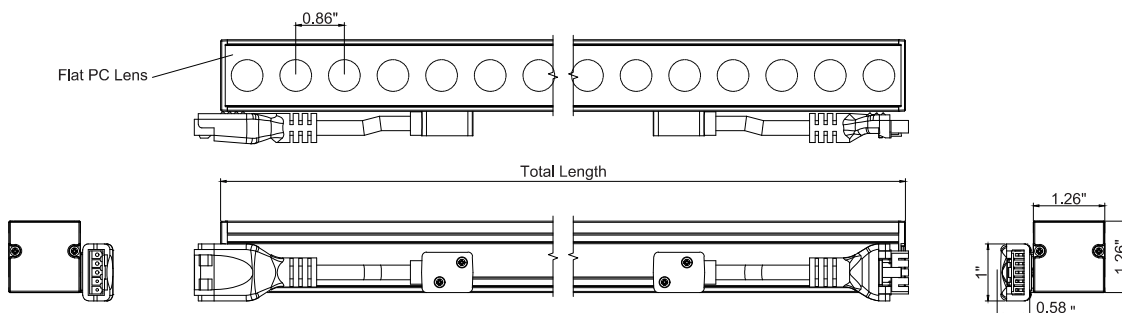
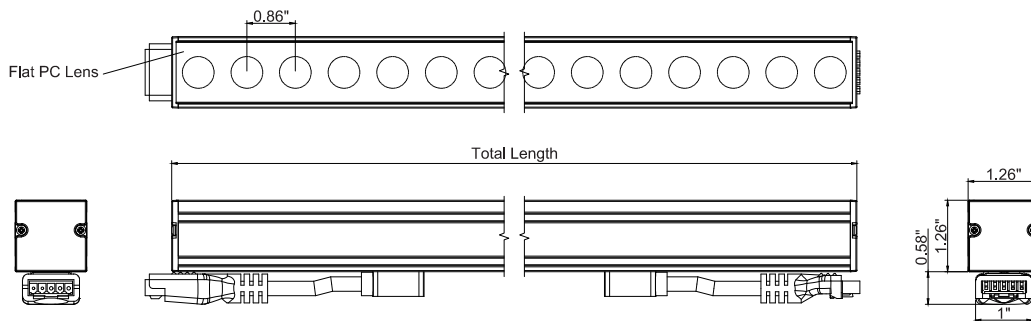
COLOR TEMPERATURES



DIMENSIONS AND DATA

6w/ft	Voltage	View Angle	Watts/ Fixture	Lumens/ Fixture	LEDs/ fixture	Extrusion Length	Total Length
HB3015i-1-RGB-XXD-AC-DX	100-277VAC	15°, 30°	5.6w	TBD	5R,5G,5B	L=305.9mm	L=306.8mm (12.1")
HB3015i-2-RGB-XXD-AC-DX		45°, 60°	11.2w	TBD	10R, 10G, 10B	L=606.8mm	L=611.8mm (24.1")
HB3015i-3-RGB-XXD-AC-DX		75°, 90°	16.8w	TBD	15R, 15G, 15B	L=911.4mm	L=916.4mm (36.1")
HB3015i-4-RGB-XXD-AC-DX		30°x60°	22.4w	TBD	20R, 20G, 20B	L=1216.2mm	L=1221.2mm (48.1")

PROFILE



ORDER FORM

Ex. HB3015i-4-RGB-15-AC-DM

CREATE YOUR FIXTURE

MODEL <input type="text"/> HB3015i <input type="text"/> 6w/ft	LENGTH <input type="text"/> 1' 12 inches 2' 24 inches 3' 36 inches 4' 48 inches	COLOR <input type="text"/> RGB RGB	OPTICS <input type="text"/> 15 15°x15° 30 30°x30° 45 45°x45° 60 60°x60° 75 75°x75° 90 90°x90° 120 120°x120° 3060 30°x60°
VOLTAGE <input type="text"/> AC 100-277vac	CONTROL <input type="text"/> DM Addressable/12" DS Addressable/fixture		

SELECT CONNECTION

Wire Lead

QTY	POWER/SIGNAL	
<input type="text"/>	AL-ID5P-72"-W/L	72" (6ft) Wire lead 5pin
<input type="text"/>	AL-ID5P-xx"-W/L	xx" (CU) Wire lead 5pin

* 1 wire lead required for each run.

End Cap

QTY		
<input type="text"/>	AL-ID5P-ENDCAP	End cap for fixture output at end of run

* 1 End cap required at the end of each run

Jumper Cable

QTY	POWER/SIGNAL	
<input type="text"/>	AL-ID5P-12"-J	12" (1ft) jumper 5pin
<input type="text"/>	AL-ID5P-72"-J	72" (6ft) jumper 5pin
<input type="text"/>	AL-ID5P-xx"-J	xx" (CU) jumper 5pin

* Fixtures are end to end connected. Use jumpers if space is needed between fixtures.

ADDITIONAL OPTIONS

Optional Powder Coated Finish

QTY	Powder coated finishes available for additional cost	
<input type="text"/>	BK	Black
<input type="text"/>	BZ	Bronze
<input type="text"/>	WH	White
<input type="text"/>	CU	Custom

* Fixture housing is anodized aluminum standard

DMX Controller

QTY		
<input type="text"/>	NIC-DMX-STICK-DE3	DMX Controller

Surge Protection

QTY		
<input type="text"/>	LSP4-UNV	120/277v surge protector

Junction Boxes

QTY		
<input type="text"/>	ID5A-DMX-3WB1	Power and CAT5 signal splitter
<input type="text"/>	ID5A-DMX-3WB2	AC Power amplifier for long run lengths
<input type="text"/>	ID5A-DMX-3WB3	Power and Wire lead signal splitter

* Used in place of wire leads to separate power and signal

SELECT MOUNTING

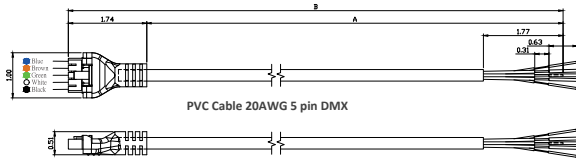
QTY	MOUNTING BRACKETS - 2 PER FIXTURE	
<input type="text"/>	AL-ID30-ADJ BRACKET	HB30 Adjustable bracket
<input type="text"/>	AL-ID30-FLAT BRACKET	HB30 Flat bracket

* Select flat brackets if fixture is mounted in powder coated housing

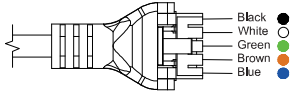
WIRING OPTIONS

WIRE LEAD

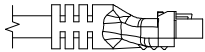
DESCRIPTION | **PART NUMBER**
 5 pin power / signal wire | AL-ID5P-xx"-W/L



Wire color	Description
● Black	AC_L
○ White	AC_N
● Green	Ground
● Brown	1~10V+ or DMX+
● Blue	1~10V- or DMX-

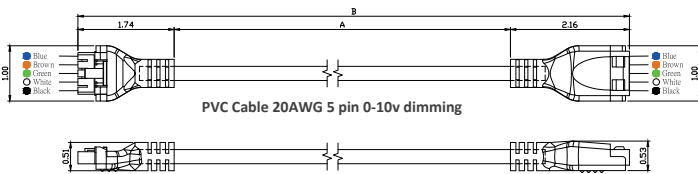


5Pin Female

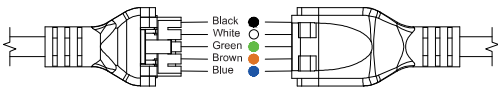


JUMPER CABLE

DESCRIPTION | **PART NUMBER**
 5 pin power / signal jumper | AL-ID5P-xx"-J

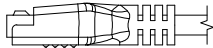


Wire color	Description
● Black	AC_L
○ White	AC_N
● Green	Ground
● Brown	1~10V+ or DMX+
● Blue	1~10V- or DMX-



5Pin Female

5Pin Male



POWER/SIGNAL

Date:
 Type:
 Project:
 Firm:

DISTRIBUTION BOXES

JUNCTION BOX - POWER AND CAT5 SIGNAL SPLITTER

JUNCTION BOX

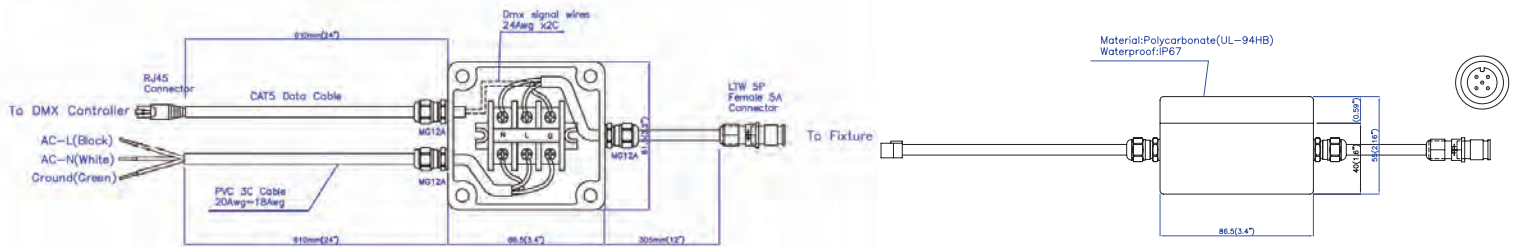
ID5A-DMX-3WB1

INPUT

24" PVC Cat5 Cable for DMX Data 24"
 PVC Cable (3 leads) for AC Power

OUTPUT

12" Cable w 5P Female 5A Connector



JUNCTION BOX-AC POWER AMPLIFIER FOR LONG RUN LENGTHS

JUNCTION BOX

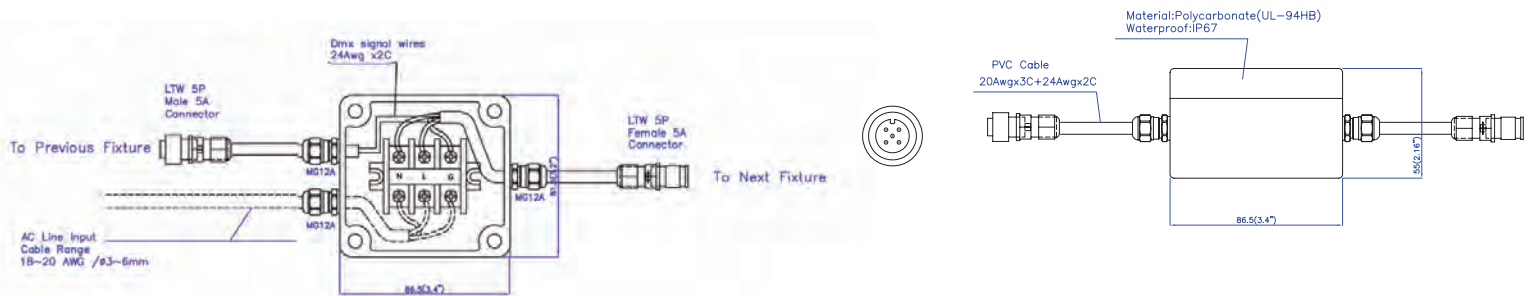
ID5A-DMX-3WB2

INPUT

12" PVC Cable w/ 5P Male 5A Connector

OUTPUT

12" PVC Cable w/ 5P Female 5A Connector



JUNCTION BOX - POWER AND WIRE LEAD SIGNAL SPLITTER

JUNCTION BOX

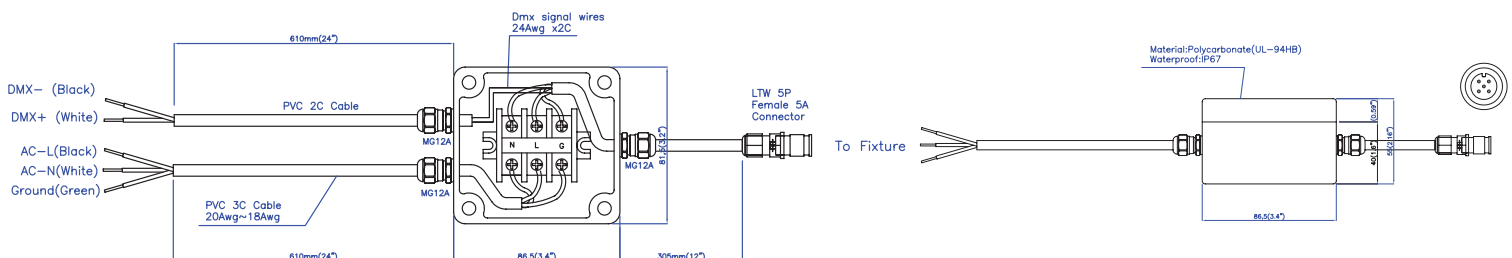
ID5A-DMX-3WB1

INPUT

24" PVC Cable (2 leads) for DMX Data
 24" PVC Cable (3 leads) for AC Power

OUTPUT

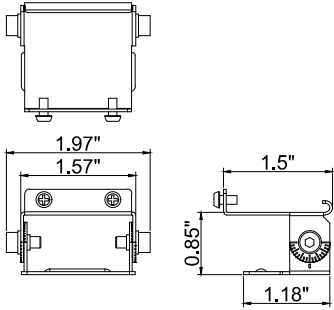
12" Cable w 5P Female 5A Connector



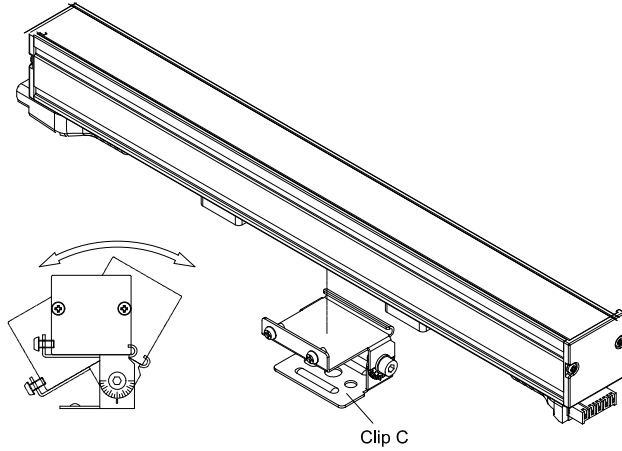
MOUNTING BRACKETS

ADJUSTABLE BRACKETS

DESCRIPTION | **PART NUMBER**
 HB30i Adjustable Bracket | AL-ID30 ADJ.Bracket

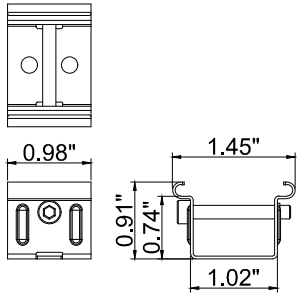


Clip C

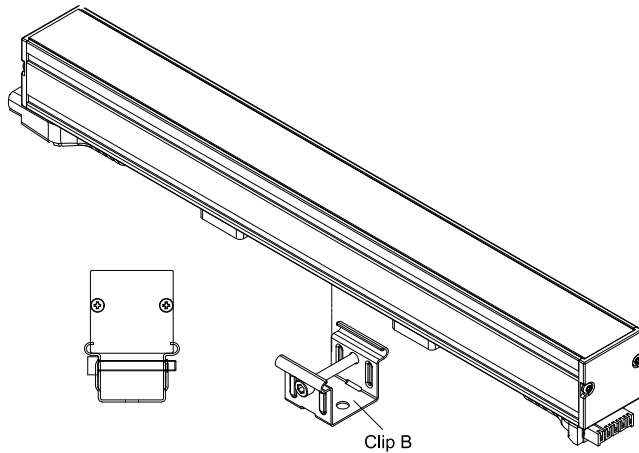


FLAT BOTTOM FEED BRACKETS

DESCRIPTION | **PART NUMBER**
 HB30 Flat Bracket - bottom wire feed | AL-ID30-Flat Bracket

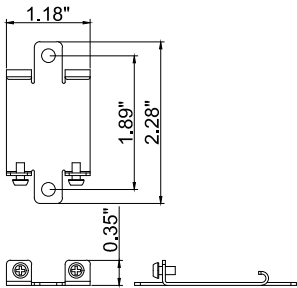


Clip B

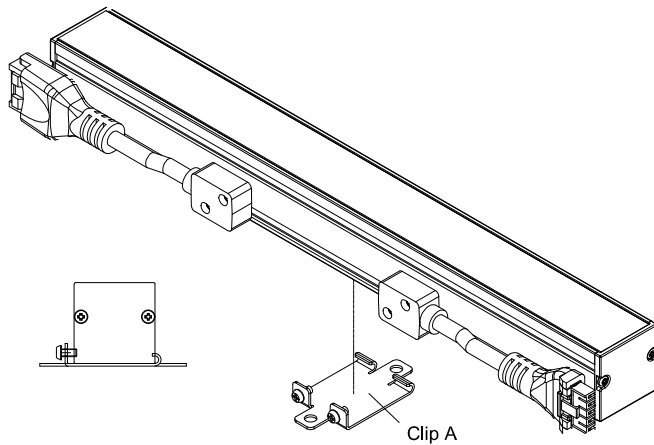


FLAT SIDE FEED BRACKETS

DESCRIPTION | **PART NUMBER**
 HB30 Flat Bracket - side wire feed | AL-ID30-FSF Bracket



Clip A



SURGE PROTECTION DEVICE

Date:
 Type:
 Project:
 Firm:

SURGE PROTECTION

DESCRIPTION

Surge Protection Device

PART NUMBER

AL-LSP-UNV

The use of a surge protection device is necessary to maintain your warranty. Specifications are subject to change without notice.

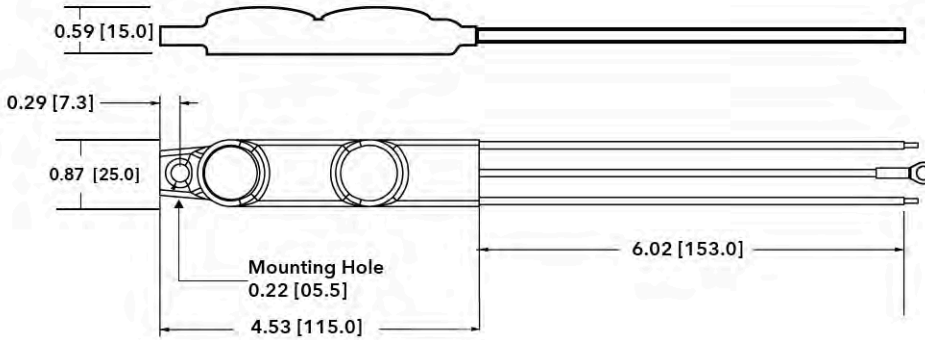
SPECIFICATIONS

Input Voltage	120-277V (+/- 5%)		
Frequency	50Hz-60Hz		
Maximum Continuous Voltage	320V		
Maximum Discharge Current	L-N 20kA; L-G, N-G 10kA (8/20Qs standard wave)		
Nominal Discharge Current	5kA		
Measured Limiting Voltage (VpK)	L-N	L-G	N-G
	1200	1320	1320
Max Case Temperature	85°C		

PULSE RATING (8 X 20 SEC)		
Surge Level	# of Strikes	
	L-N	L-G, N-G
10,000A	*2	1
6,500A	4	2
5,000A	30	15
2,000A	200	100
700A	20000	1000

*1 strike at 20,000A

MECHANICAL DIMENSIONS : IN (MM)



WIRING DIAGRAM

