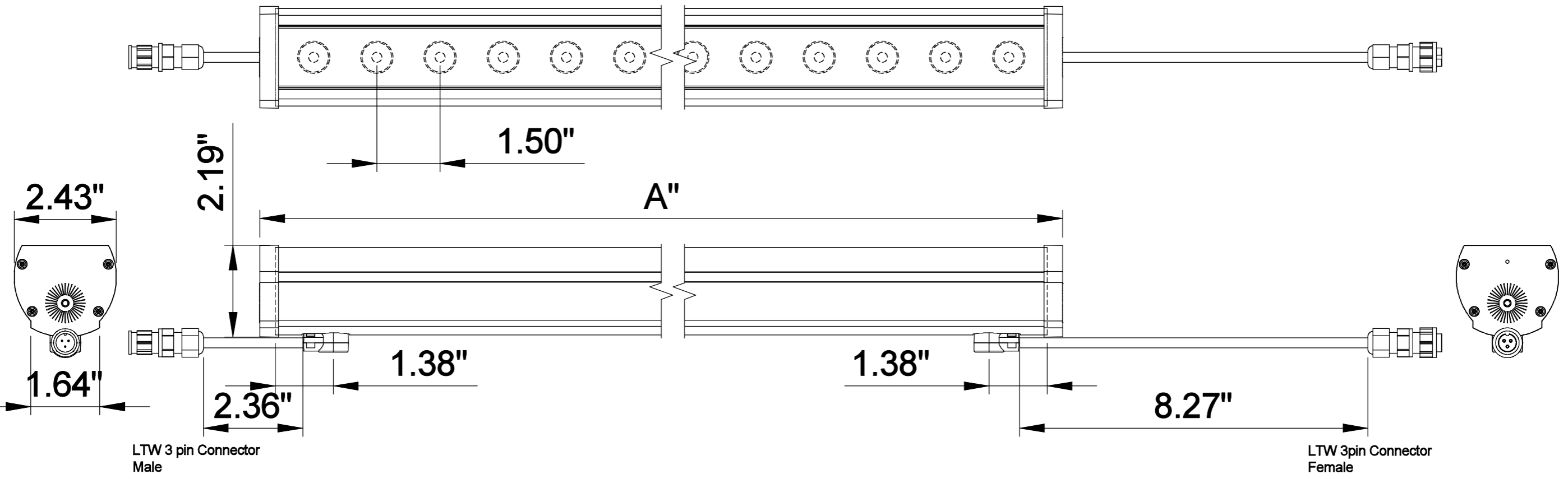


HB40RP INSTALLATION OPTIONS

PG 1. Downward projection left power feed
Pg 8. Downward projection right power feed
Pg 14. Upward projection left power feed
Pg 20. Upward projection right power feed

**DOWNWARD
PROJECTION
LEFT POWER FEED
INSTRUCTIONS**



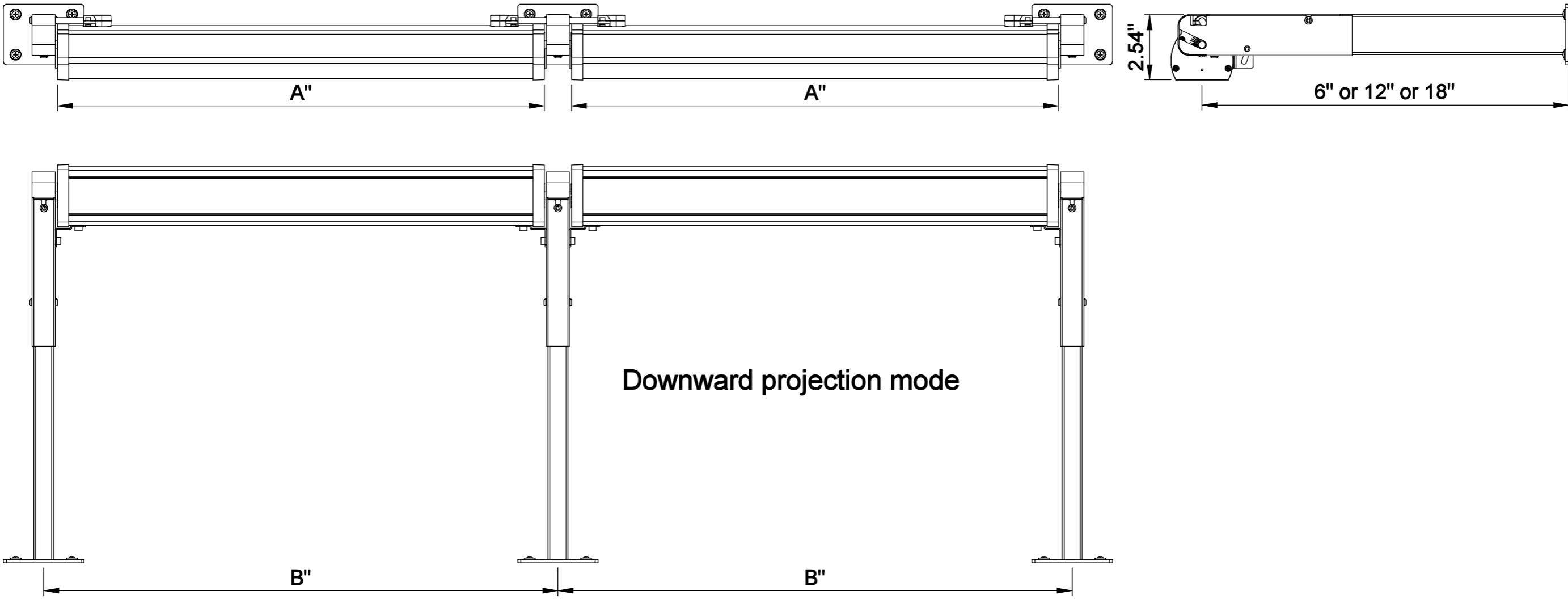
LTW 3 pin Connector
Male

LTW 3pin Connector
Female

MODEL NUMBER	Standard	Voltage	CCT	Beam Angle	LEDs/Unit	Watt/Unit	LEDs/Pitch		AL Length(B)		Total Length(A)		Note
	inch						mm	inch	mm	inch	mm	inch	
HB40RP-10-XXK-XXD-AC-12	10	AC100V ~AC277V	6500K 5000K 3000K 2700K	15°	5LEDs	9.2	45.72mm	1.8"	237.4		256	10	
HB40RP-19-XXK-XXD-AC-12	19			20°	10LEDs	18.4			465.4		484	19	
HB40RP-28-XXK-XXD-AC-12	28			30°	15LEDs	27.6			693.4		712	28	
HB40RP-37-XXK-XXD-AC-12	37			45°	20LEDs	36.8			921.4		940	37	
HB40RP-46-XXK-XXD-AC-12	46			13°x17° 30°x60° 120°	25LEDs	46			1149.4		1168	46	



Downward projection



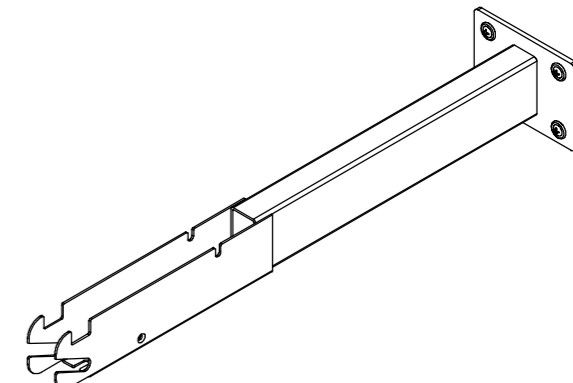
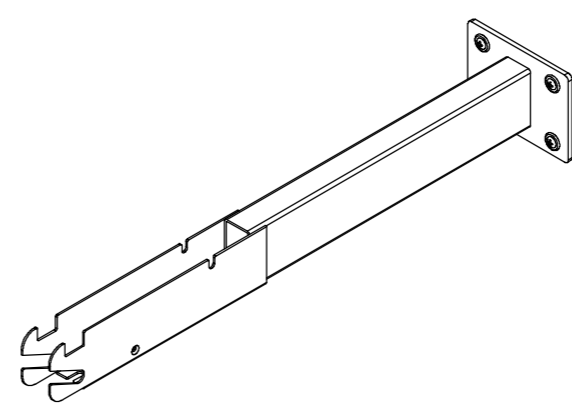
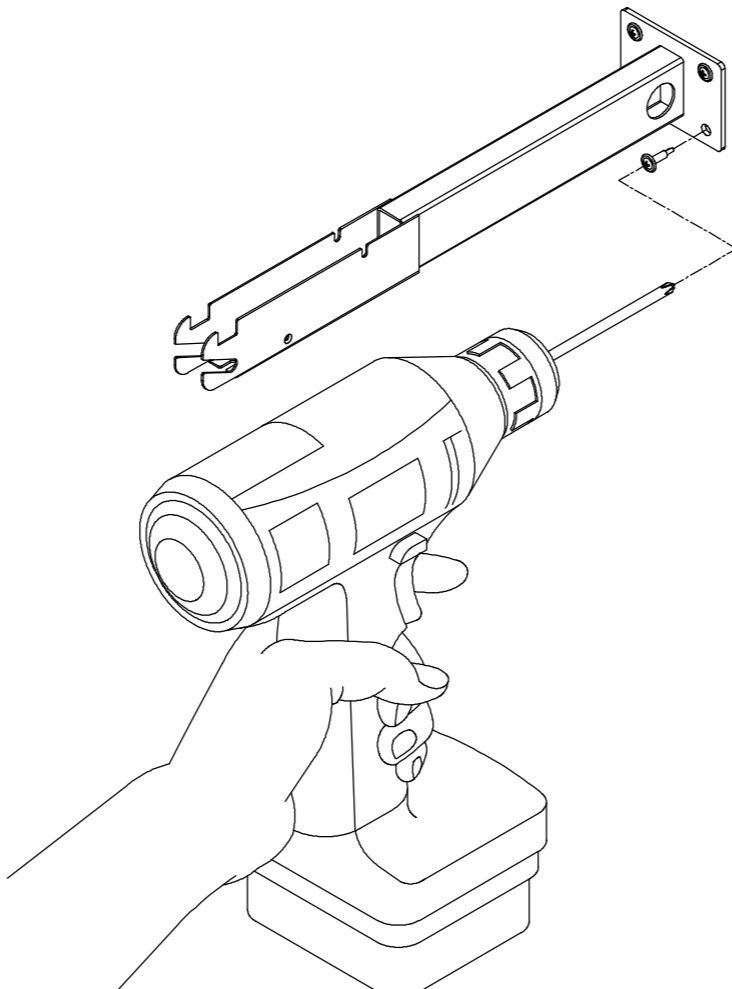
Downward projection mode

MODEL NUMBER	Standard	Voltage	CCT	Beam Angle	LEDs/Unit	Watt/Unit	LEDs/Pitch		AL Length		Total Length(A)		Length(B)		Note
	inch						mm	inch	mm	inch	mm	inch	mm	inch	
HB40RP-10-XXK-XXD-AC-12	10	AC100V ~AC277V	6500K 5000K 3000K 2700K	15°	5LEDs	9.2	45.72mm	1.8"	237.4		256	10	283	11.14	
HB40RP-19-XXK-XXD-AC-12	19			20°	10LEDs	18.4			465.4		484	19	511	20.11	
HB40RP-28-XXK-XXD-AC-12	28			30°	15LEDs	27.6			693.4		712	28	739	29.09	
HB40RP-37-XXK-XXD-AC-12	37			45°	20LEDs	36.8			921.4		940	37	967	38.07	
HB40RP-46-XXK-XXD-AC-12	46			13°x17° 30°x60° 120°	25LEDs	46			1149.4		1168	46	1195	47.04	

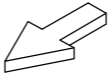


Downward projection

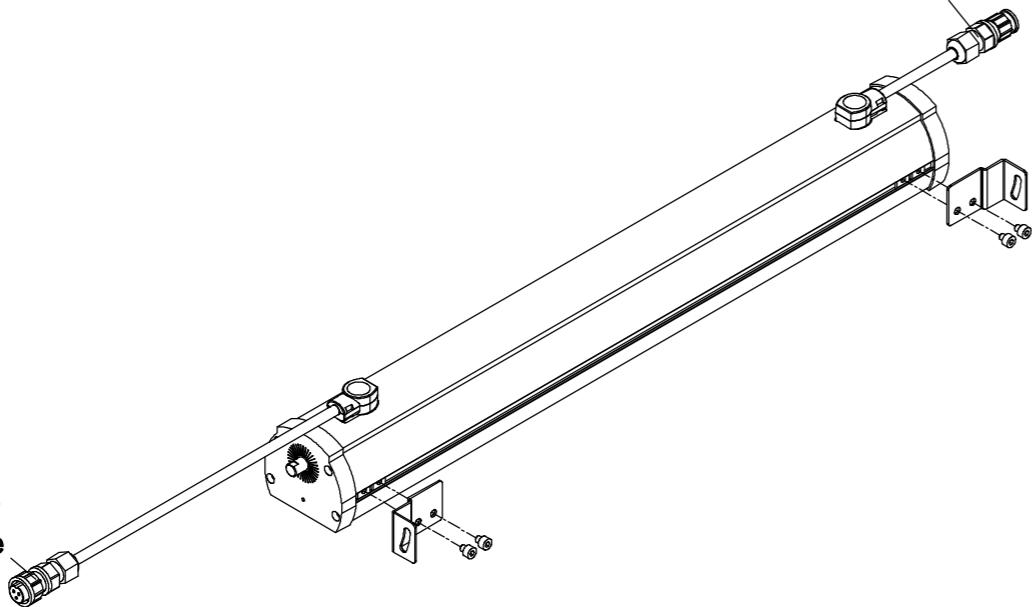
Left Power Feed



LTW Connector
Male

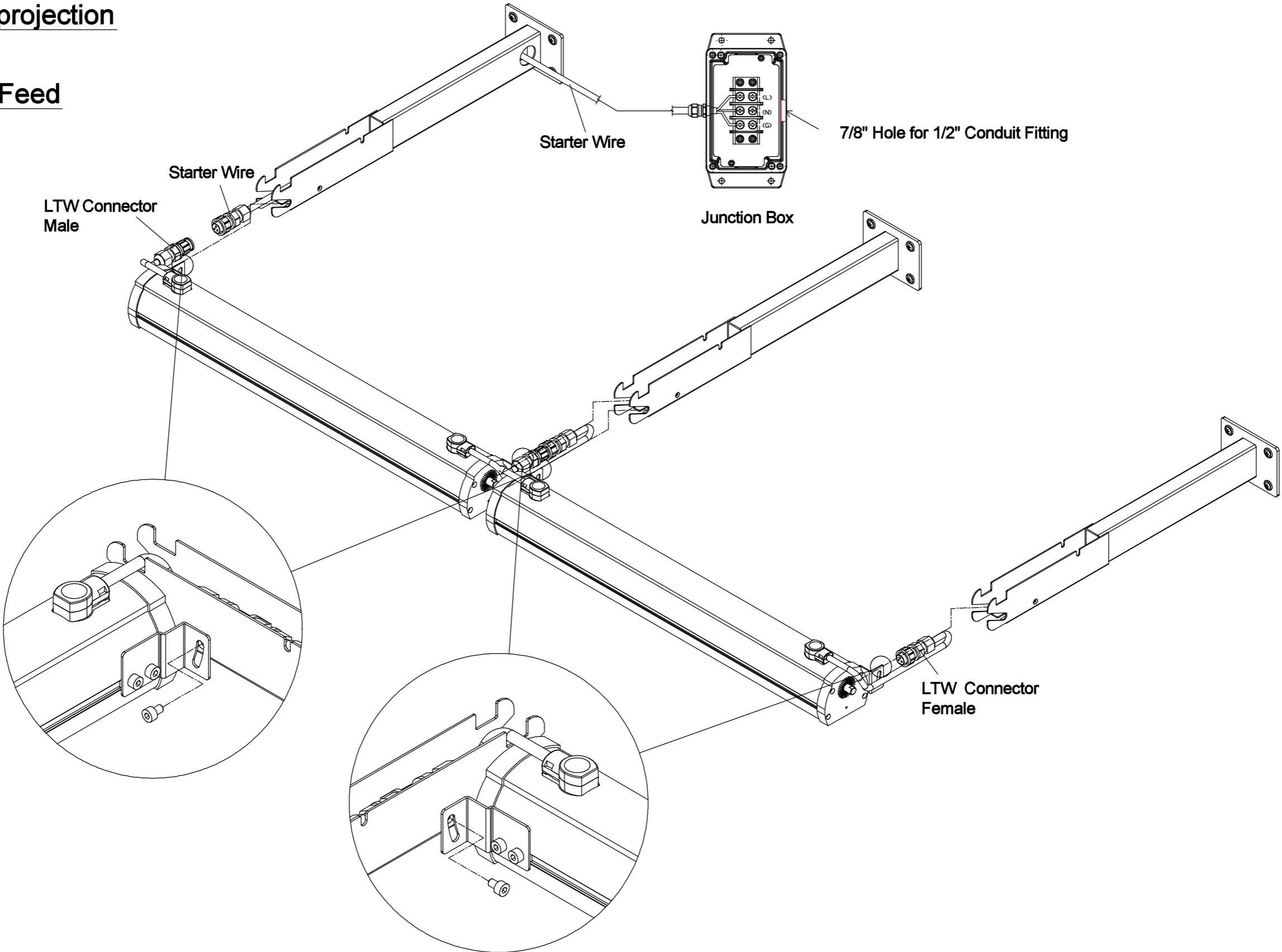


LTW Connector
Female



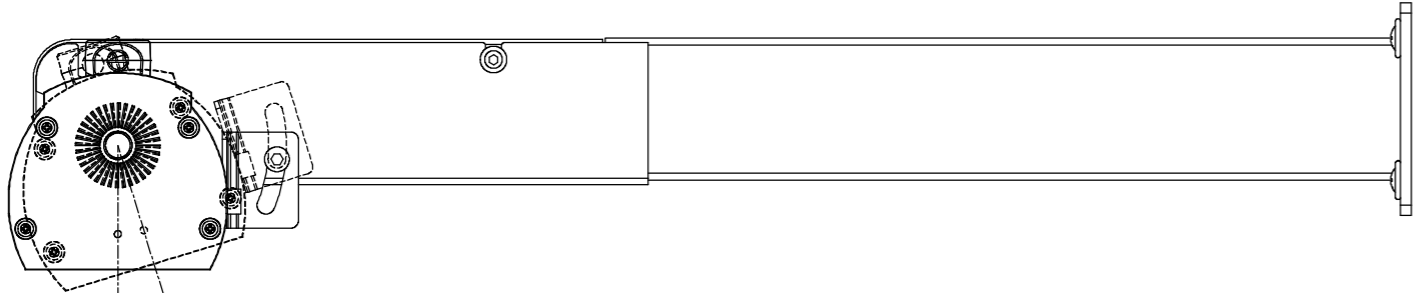
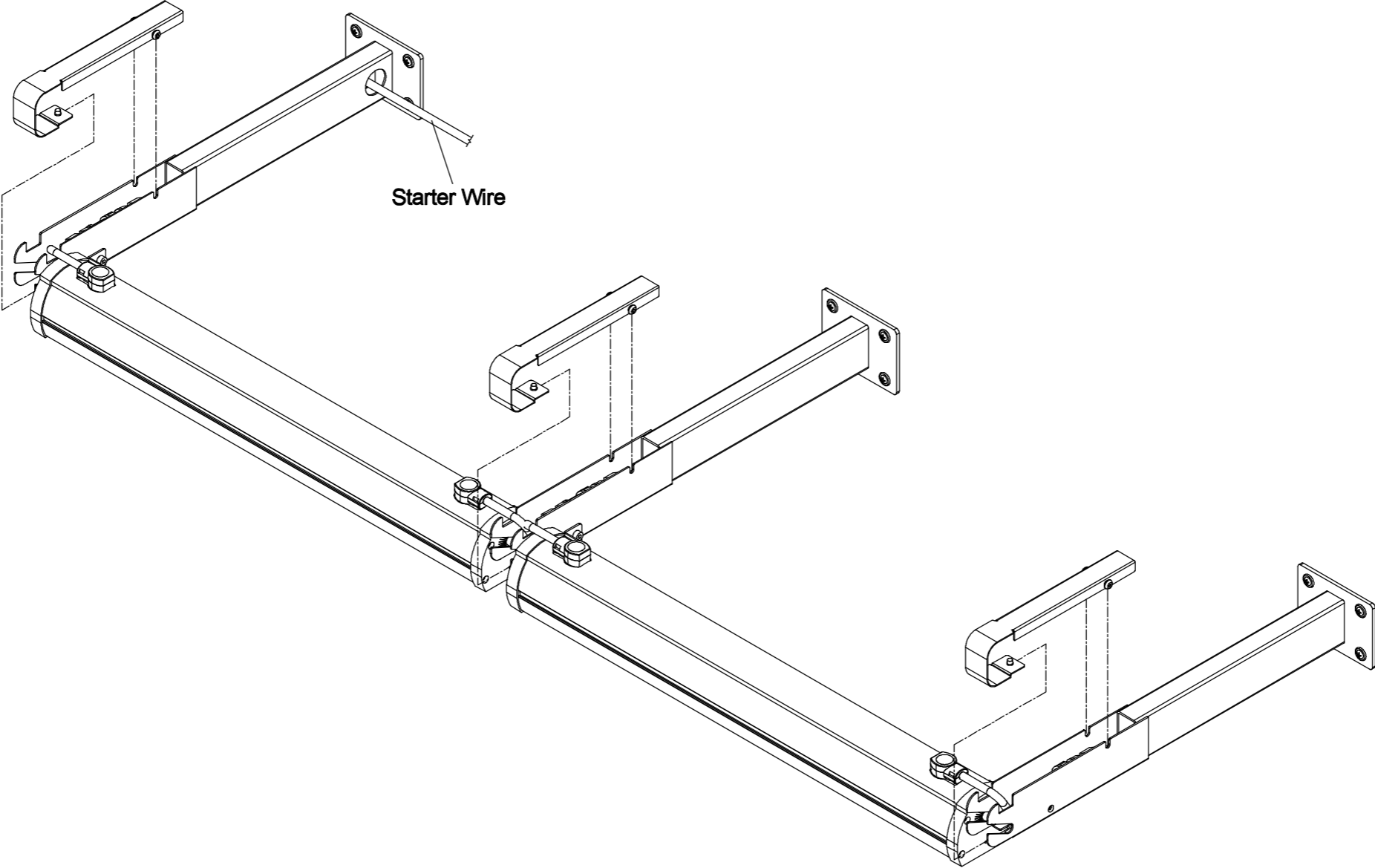
Downward projection

Left Power Feed



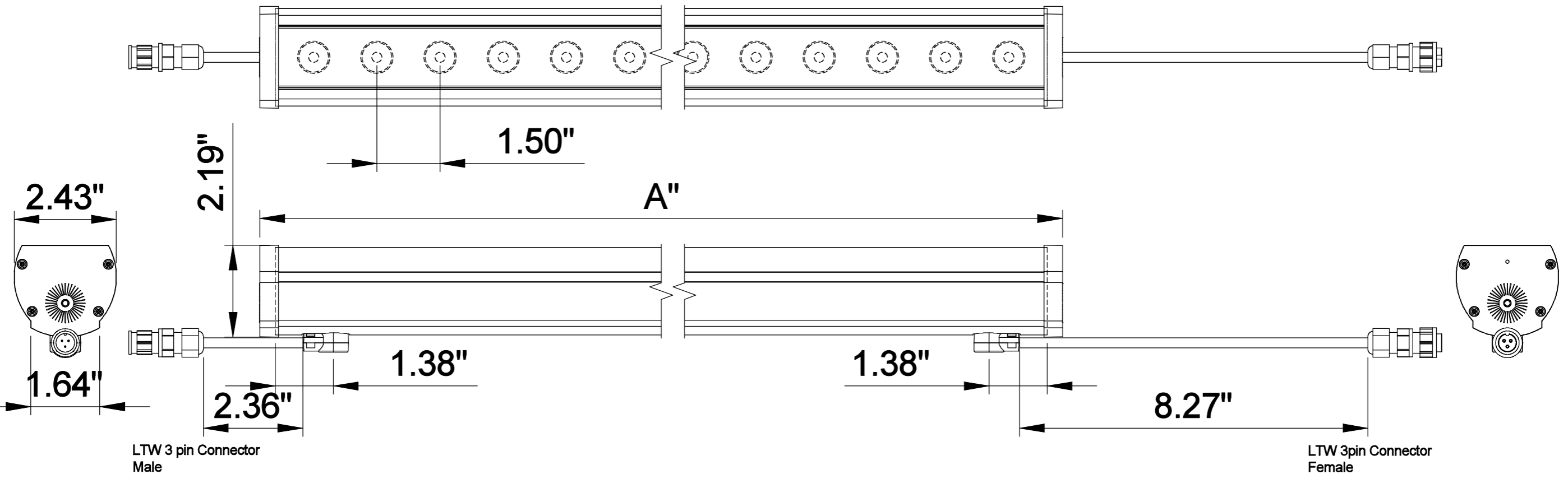
Downward projection

Left Power Feed



17.0°

DOWNWARD RIGHT POWER FEED INSTRUCTIONS



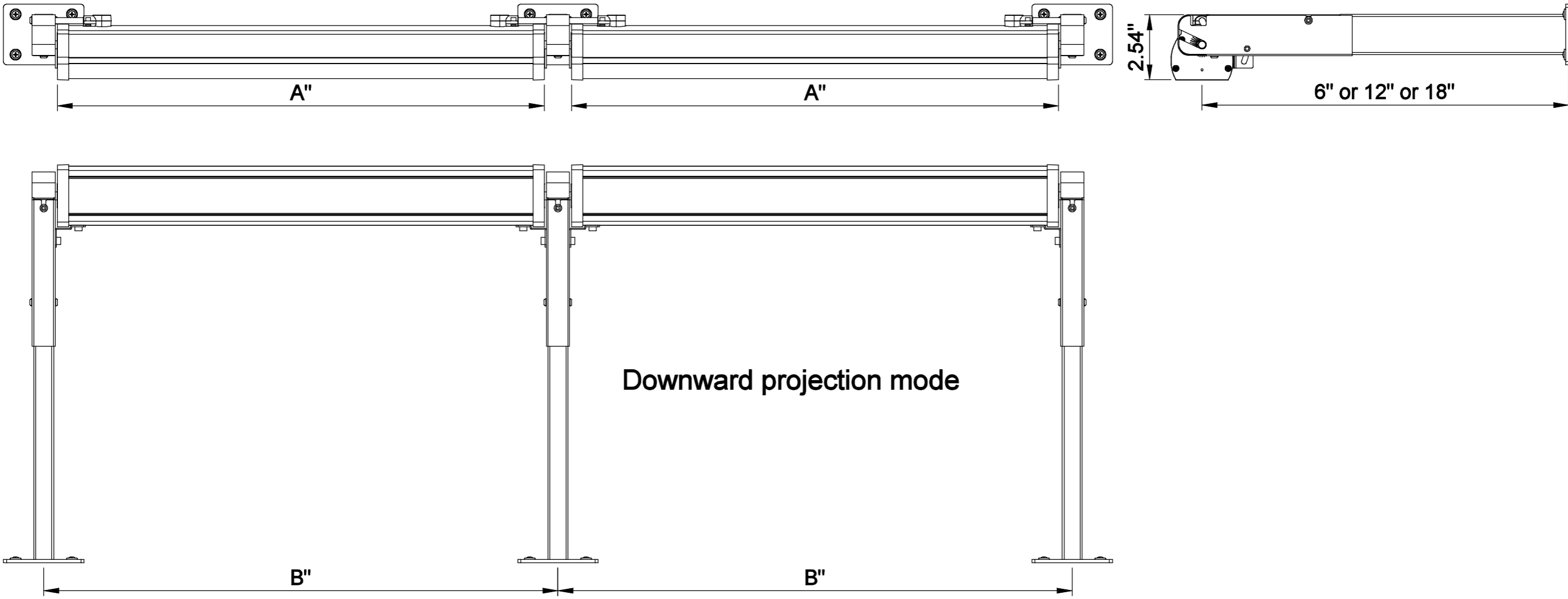
LTW 3 pin Connector
Male

LTW 3pin Connector
Female

MODEL NUMBER	Standard	Voltage	CCT	Beam Angle	LEDs/Unit	Watt/Unit	LEDs/Pitch		AL Length(B)		Total Length(A)		Note
	inch						mm	inch	mm	inch	mm	inch	
HB40RP-10-XXK-XXD-AC-12	10	AC100V ~AC277V	6500K 5000K 3000K 2700K	15°	5LEDs	9.2	45.72mm	1.8"	237.4		256	10	
HB40RP-19-XXK-XXD-AC-12	19			20°	10LEDs	18.4			465.4		484	19	
HB40RP-28-XXK-XXD-AC-12	28			30°	15LEDs	27.6			693.4		712	28	
HB40RP-37-XXK-XXD-AC-12	37			45°	20LEDs	36.8			921.4		940	37	
HB40RP-46-XXK-XXD-AC-12	46			13°x17° 30°x60° 120°	25LEDs	46			1149.4		1168	46	



Downward projection



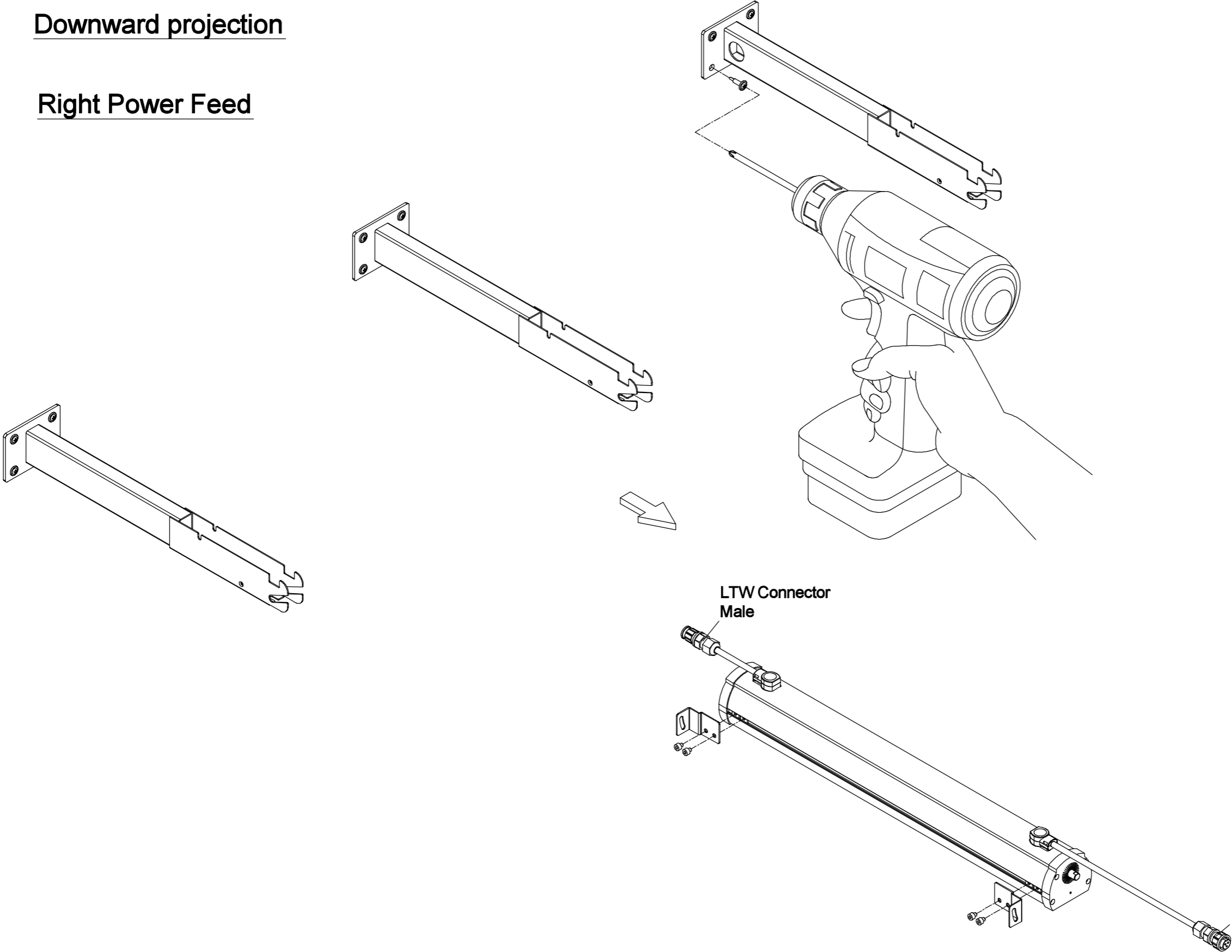
Downward projection mode

MODEL NUMBER	Standard	Voltage	CCT	Beam Angle	LEDs/Unit	Watt/Unit	LEDs/Pitch		AL Length		Total Length(A)		Length(B)		Note
	inch						mm	inch	mm	inch	mm	inch	mm	inch	
HB40RP-10-XXK-XXD-AC-12	10	AC100V ~AC277V	6500K 5000K 3000K 2700K	15°	5LEDs	9.2	45.72mm	1.8"	237.4		256	10	283	11.14	
HB40RP-19-XXK-XXD-AC-12	19			20°	10LEDs	18.4			465.4		484	19	511	20.11	
HB40RP-28-XXK-XXD-AC-12	28			30°	15LEDs	27.6			693.4		712	28	739	29.09	
HB40RP-37-XXK-XXD-AC-12	37			45°	20LEDs	36.8			921.4		940	37	967	38.07	
HB40RP-46-XXK-XXD-AC-12	46			13°x17° 30°x60° 120°	25LEDs	46			1149.4		1168	46	1195	47.04	



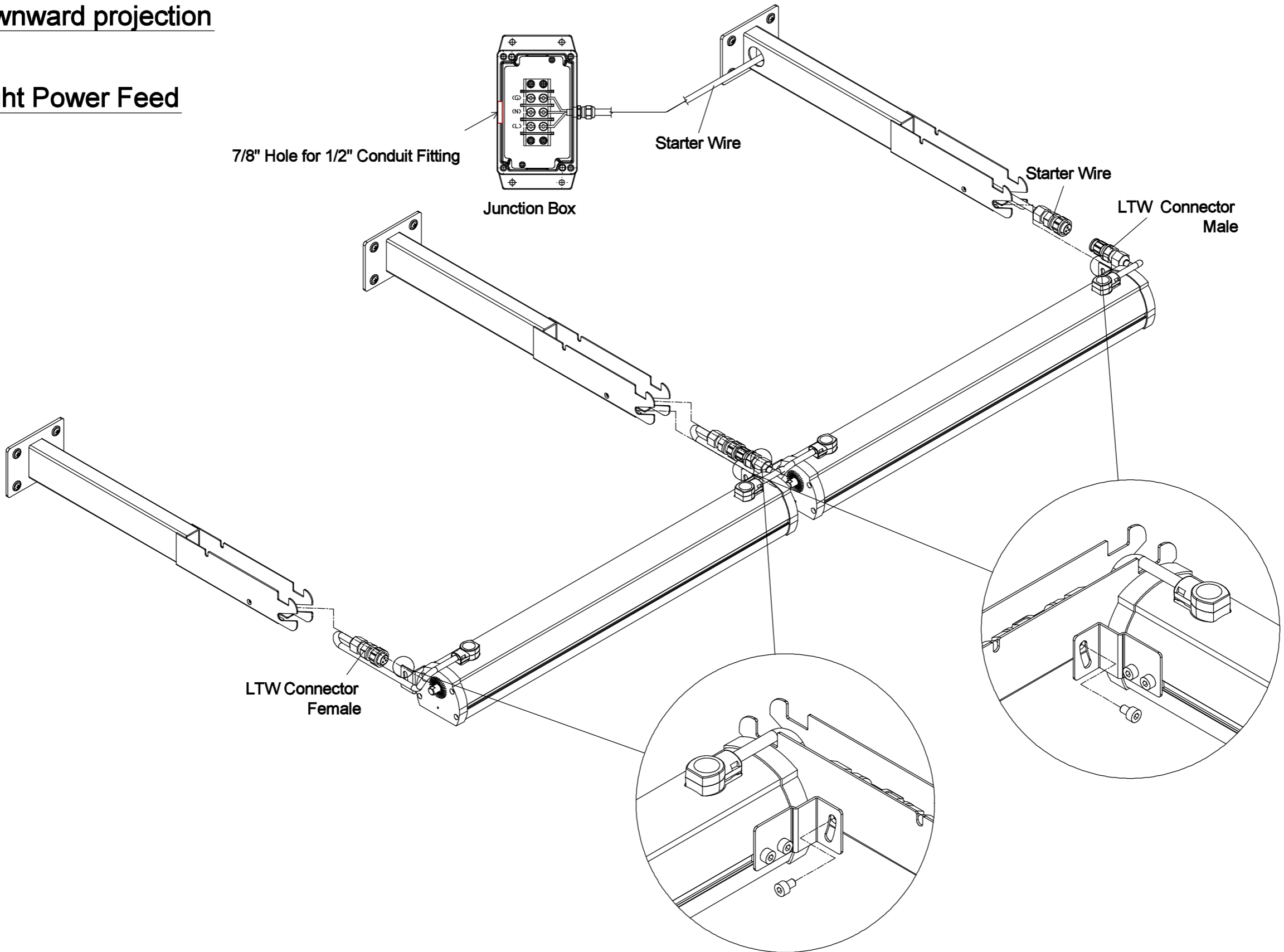
Downward projection

Right Power Feed



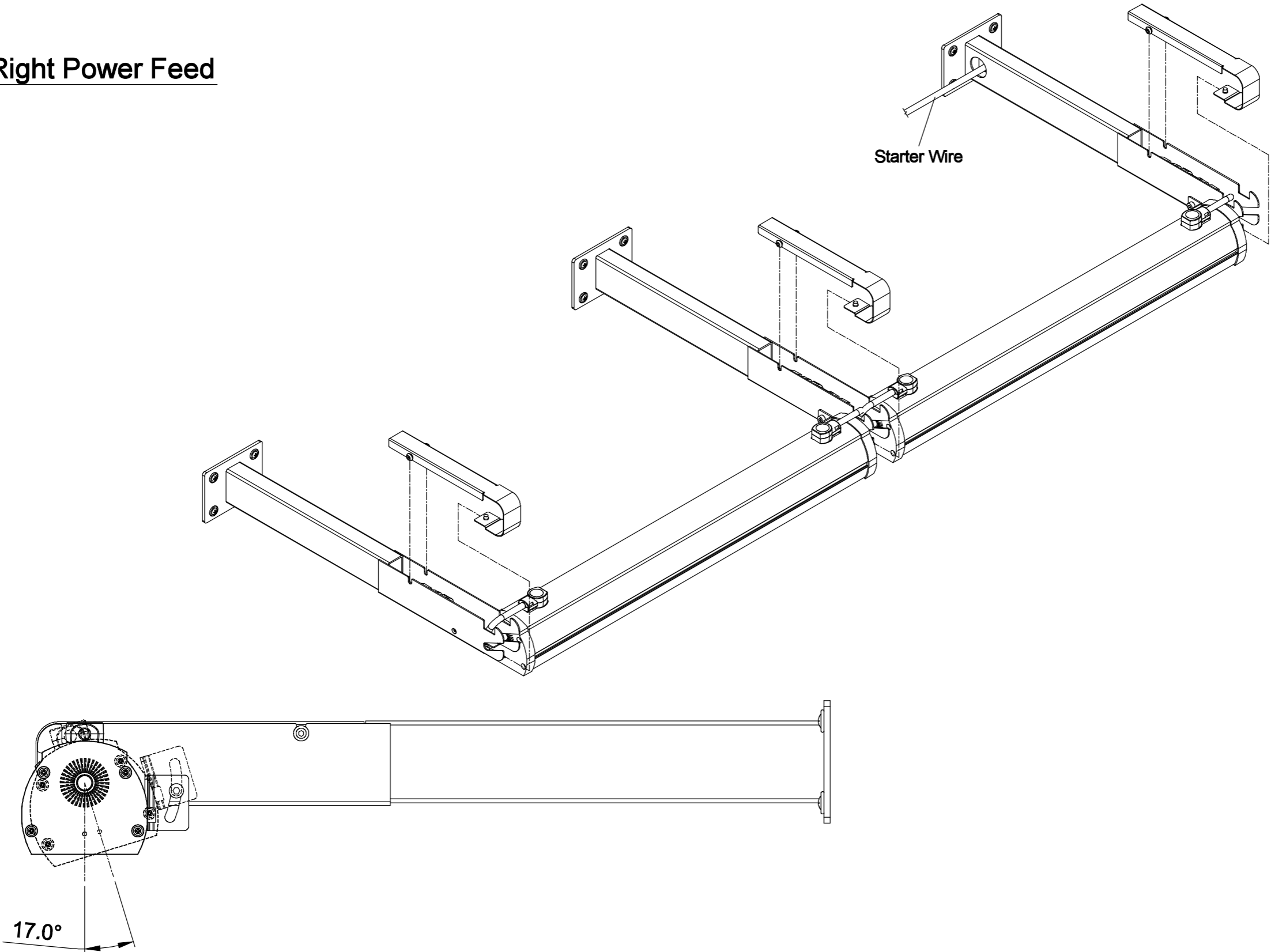
Downward projection

Right Power Feed

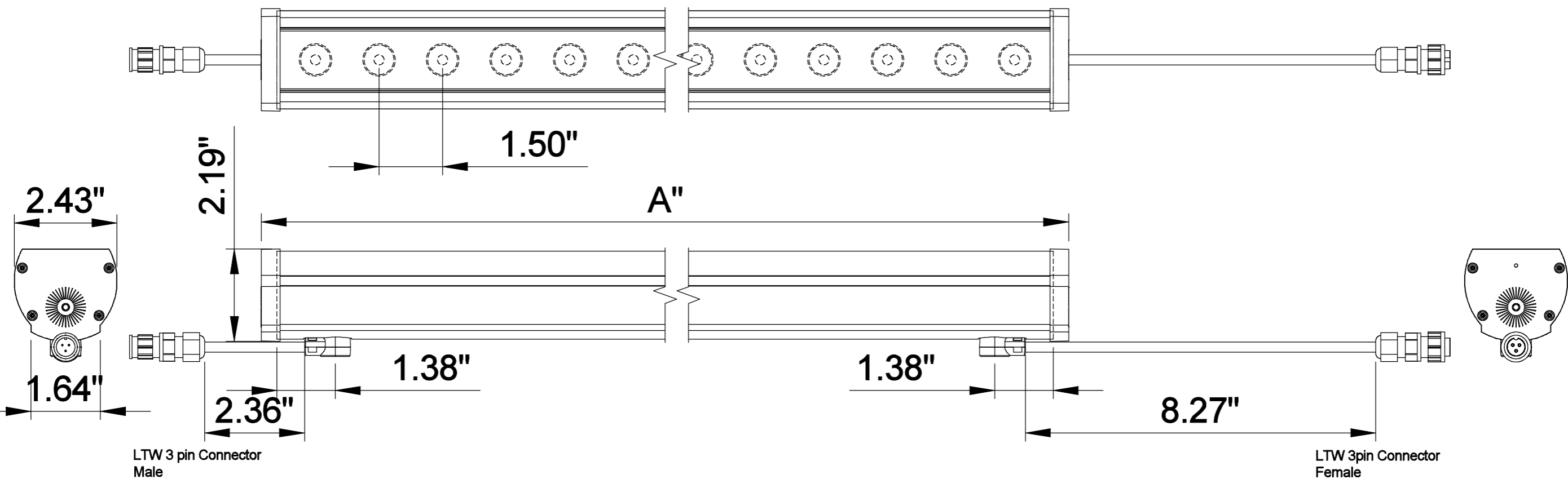


Downward projection

Right Power Feed



**UPWARD
LEFT POWER FEED
INSTRUCTIONS**

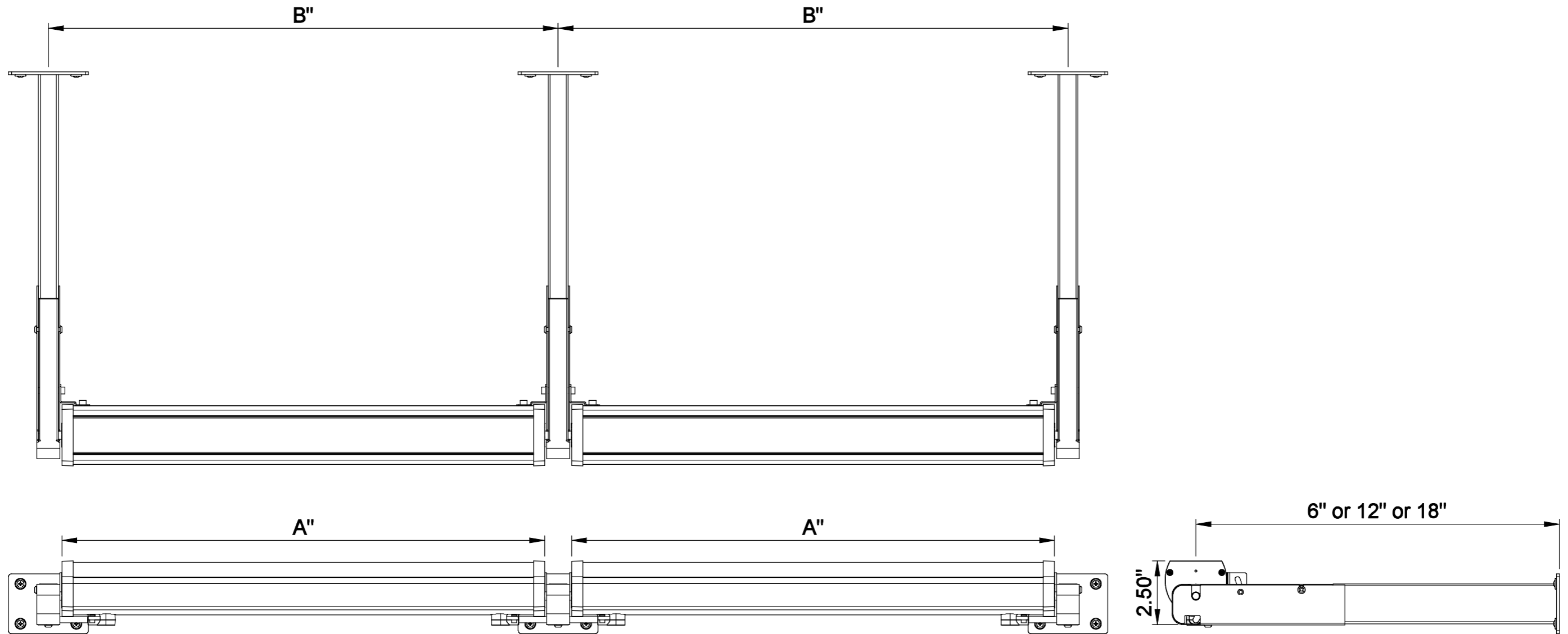


LTW 3 pin Connector
Male

LTW 3pin Connector
Female

MODEL NUMBER	Standard	Voltage	CCT	Beam Angle	LEDs/Unit	Watt/Unit	LEDs/Pitch		AL Length(B)		Total Length(A)		Note
	inch						mm	inch	mm	inch	mm	inch	
HB40RP-10-XXK-XXD-AC-12	10	AC100V ~AC277V	6500K 5000K 3000K 2700K	15°	5LEDs	9.2	45.72mm	1.8"	237.4		256	10	
HB40RP-19-XXK-XXD-AC-12	19			20°	10LEDs	18.4			465.4		484	19	
HB40RP-28-XXK-XXD-AC-12	28			30°	15LEDs	27.6			693.4		712	28	
HB40RP-37-XXK-XXD-AC-12	37			45°	20LEDs	36.8			921.4		940	37	
HB40RP-46-XXK-XXD-AC-12	46			13°x17° 30°x60° 120°	25LEDs	46			1149.4		1168	46	

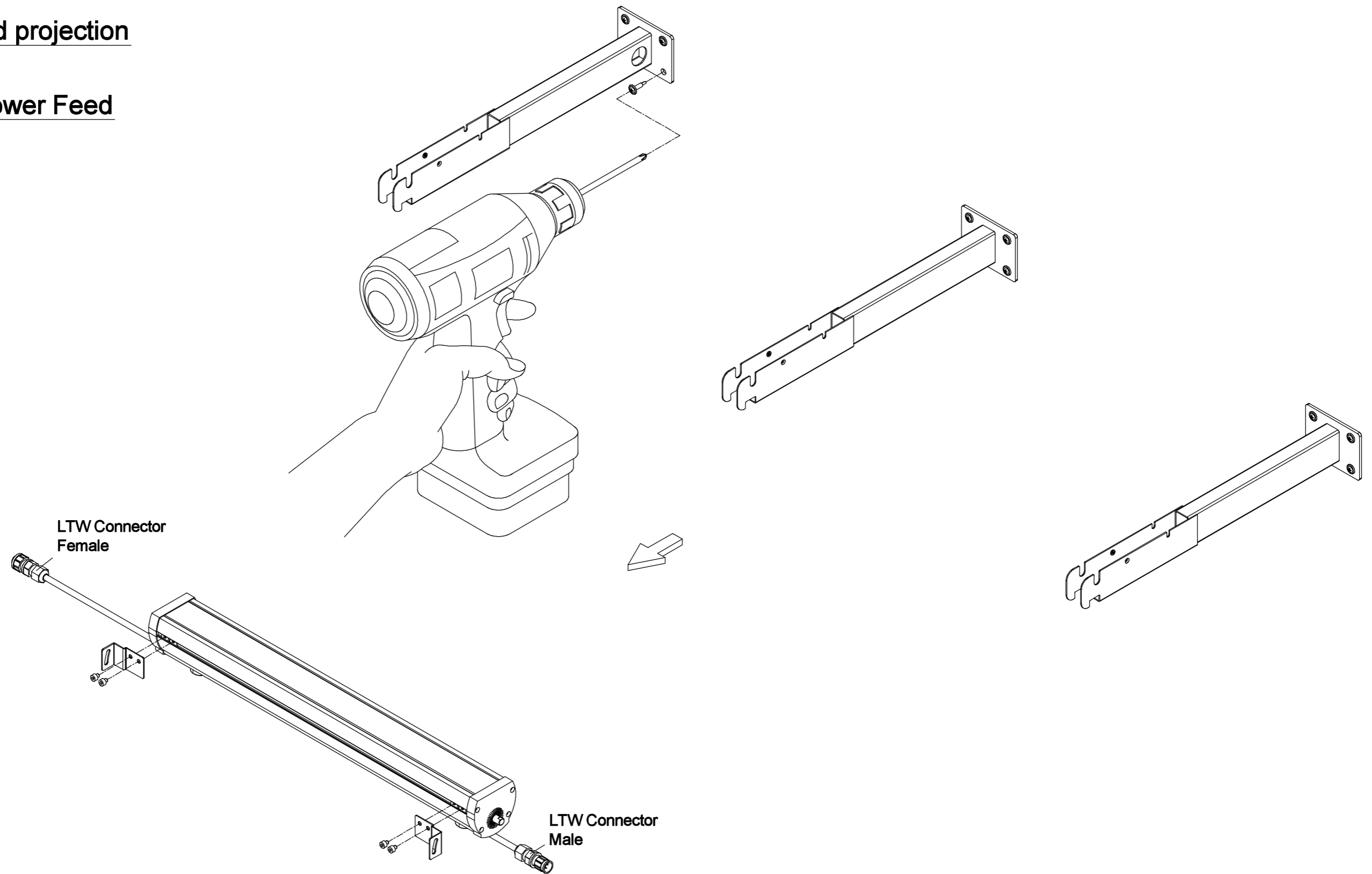
Upward projection



MODEL NUMBER	Standard	Voltage	CCT	Beam Angle	LEDs/Unit	Watt/Unit	LEDs/Pitch		AL Length		Total Length(A)		Length(B)		Note
	inch						mm	inch	mm	inch	mm	inch	mm	inch	
HB40RP-10-XXK-XXD-AC-12	10	AC100V ~AC277V	6500K 5000K 3000K 2700K	15°	5LEDs	9.2	45.72mm	1.8"	237.4		256	10	283	11.14	
HB40RP-19-XXK-XXD-AC-12	19			20°	10LEDs	18.4			465.4		484	19	511	20.11	
HB40RP-28-XXK-XXD-AC-12	28			30°	15LEDs	27.6			693.4		712	28	739	29.09	
HB40RP-37-XXK-XXD-AC-12	37			45°	20LEDs	36.8			921.4		940	37	967	38.07	
HB40RP-46-XXK-XXD-AC-12	46			13°x17° 30°x60° 120°	25LEDs	46			1149.4		1168	46	1195	47.04	

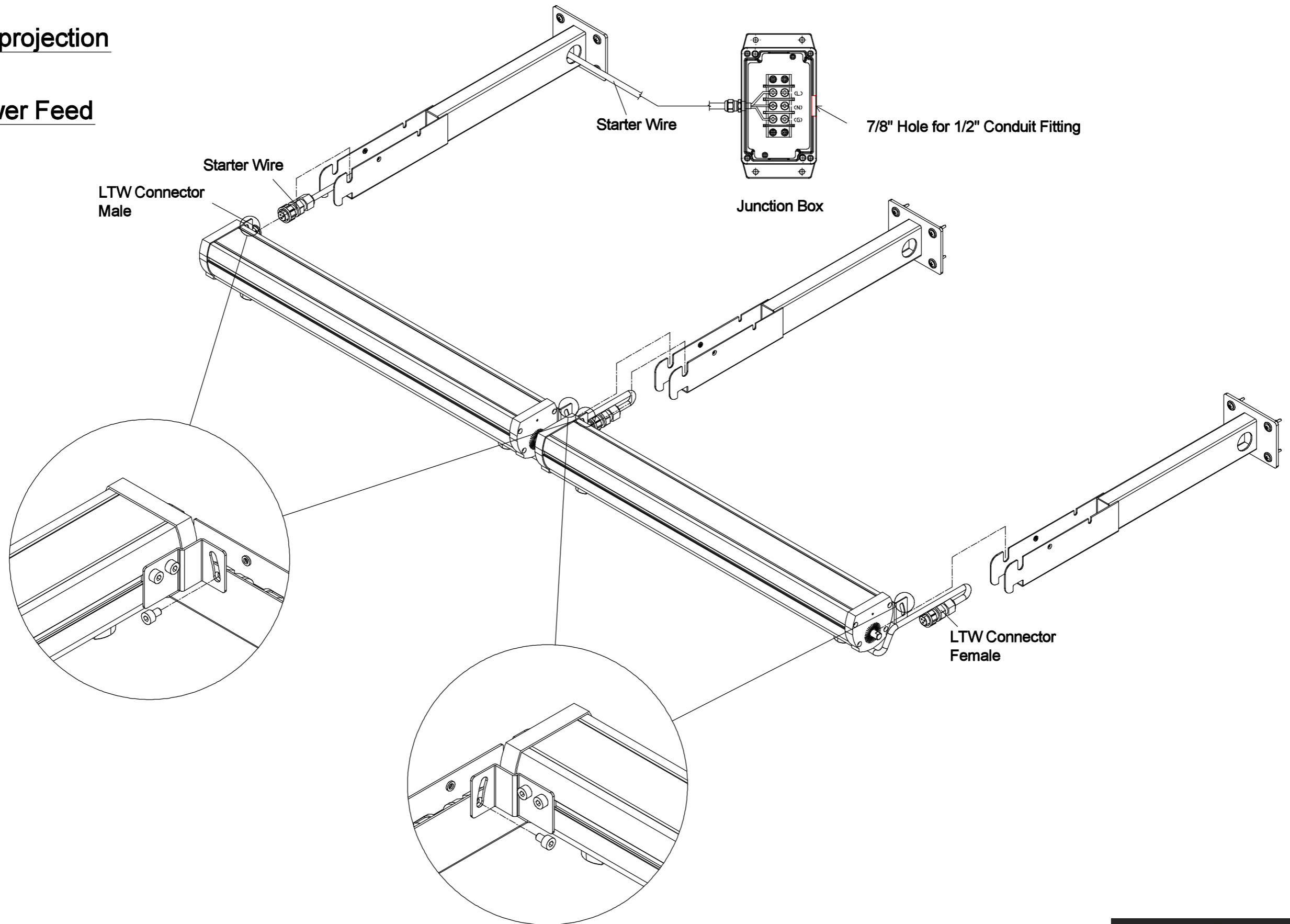
Upward projection

Left Power Feed



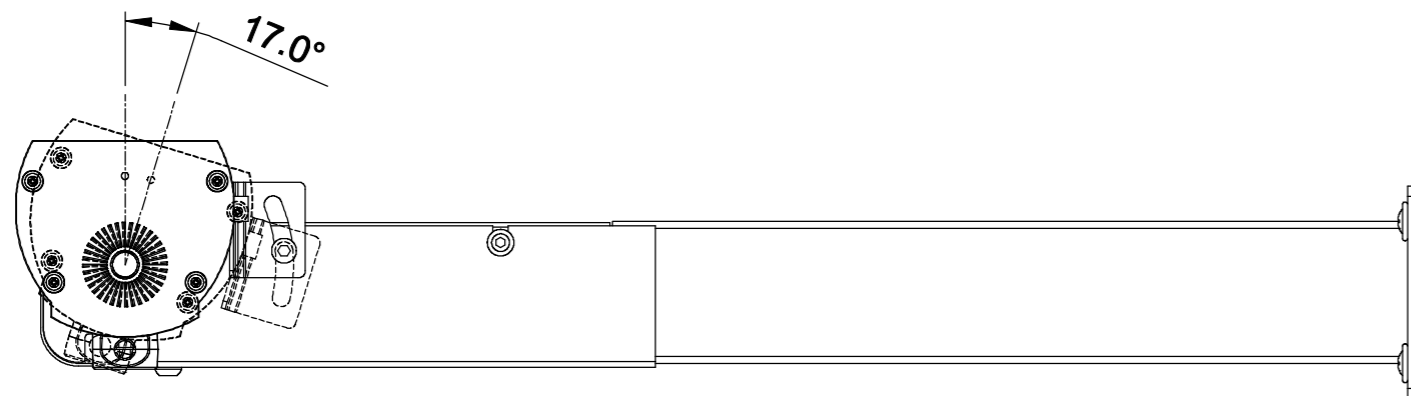
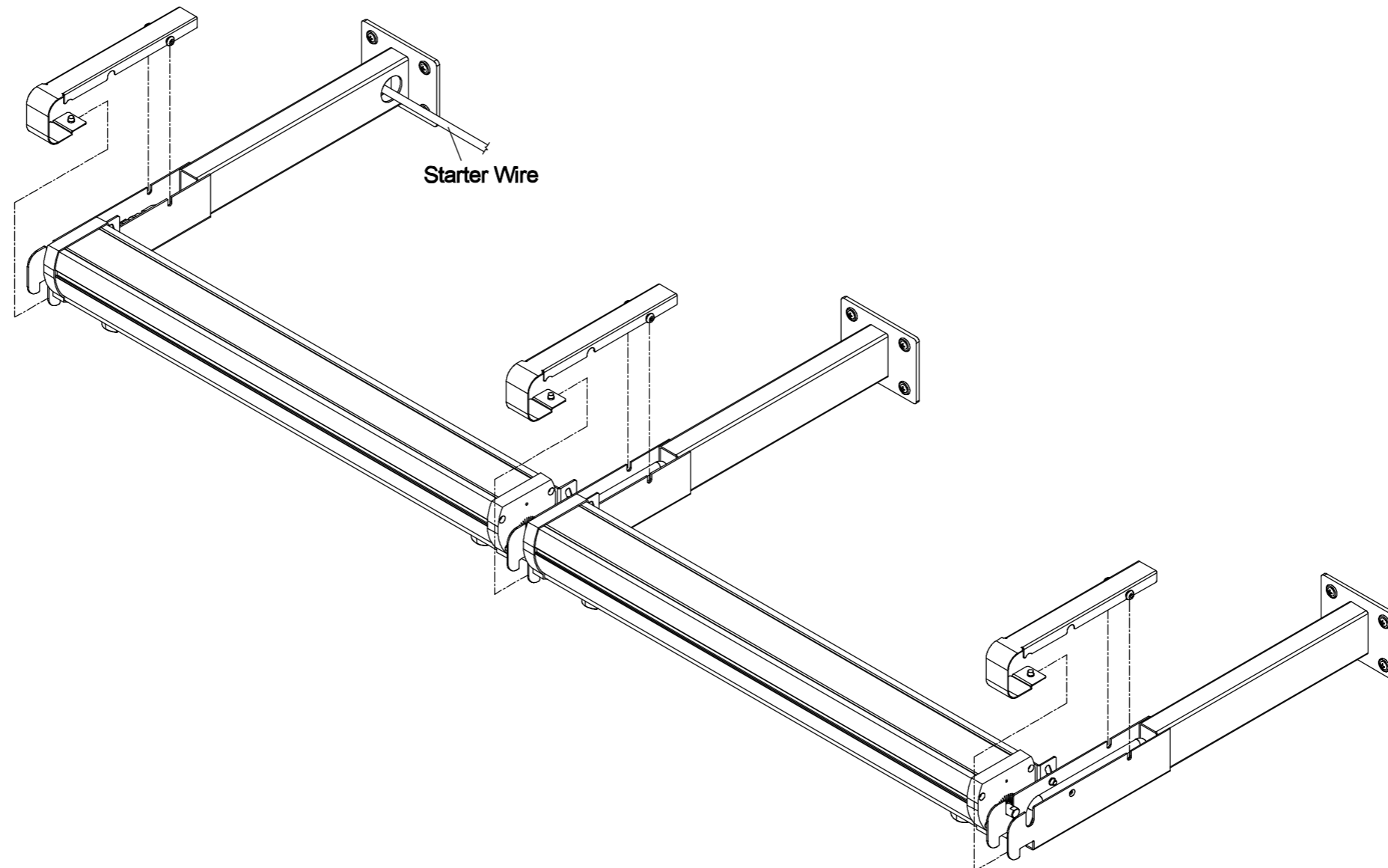
Upward projection

Left Power Feed

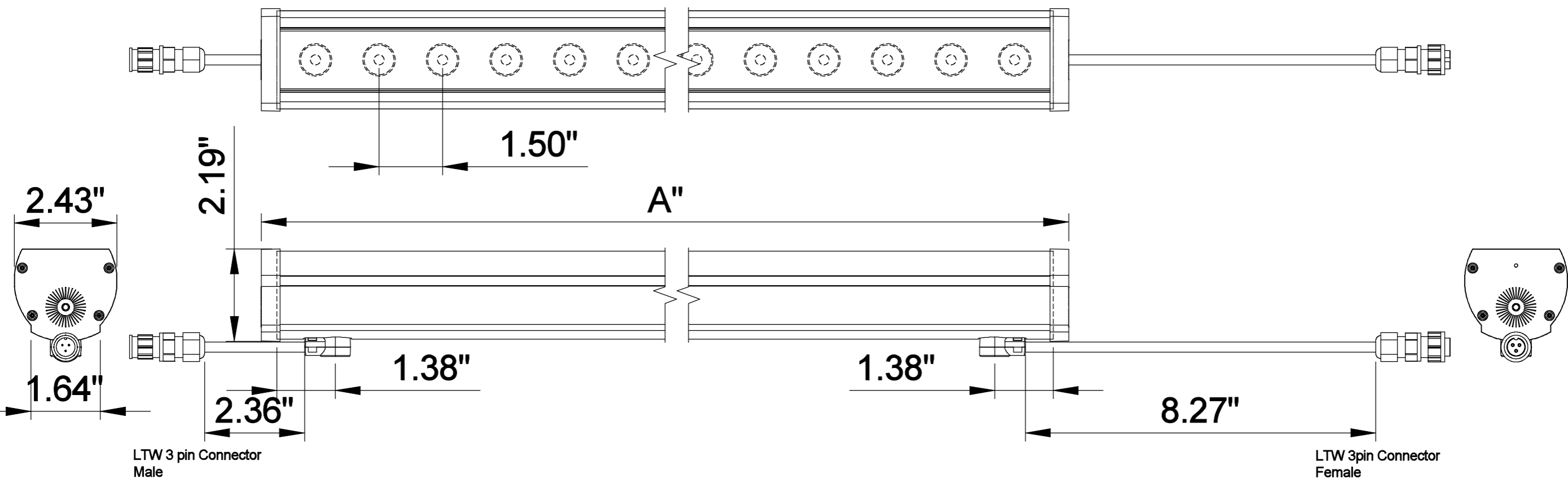


Upward projection

Left Power Feed

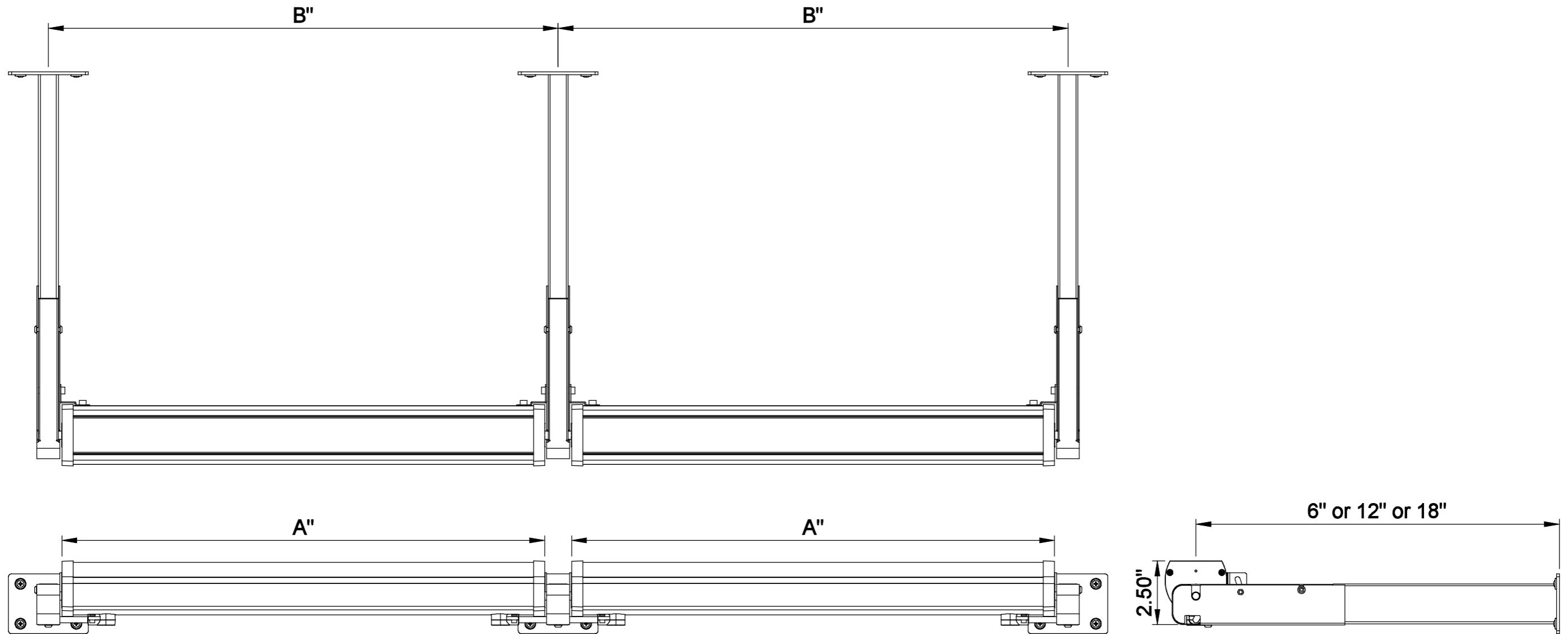


UPWARD RIGHT POWER FEED INSTRUCTIONS



MODEL NUMBER	Standard	Voltage	CCT	Beam Angle	LEDs/Unit	Watt/Unit	LEDs/Pitch		AL Length(B)		Total Length(A)		Note
	inch						mm	inch	mm	inch	mm	inch	
HB40RP-10-XXK-XXD-AC-12	10	AC100V ~AC277V	6500K 5000K 3000K 2700K	15°	5LEDs	9.2	45.72mm	1.8"	237.4		256	10	
HB40RP-19-XXK-XXD-AC-12	19			20°	10LEDs	18.4			465.4		484	19	
HB40RP-28-XXK-XXD-AC-12	28			30°	15LEDs	27.6			693.4		712	28	
HB40RP-37-XXK-XXD-AC-12	37			45°	20LEDs	36.8			921.4		940	37	
HB40RP-46-XXK-XXD-AC-12	46			13°x17° 30°x60° 120°	25LEDs	46			1149.4		1168	46	

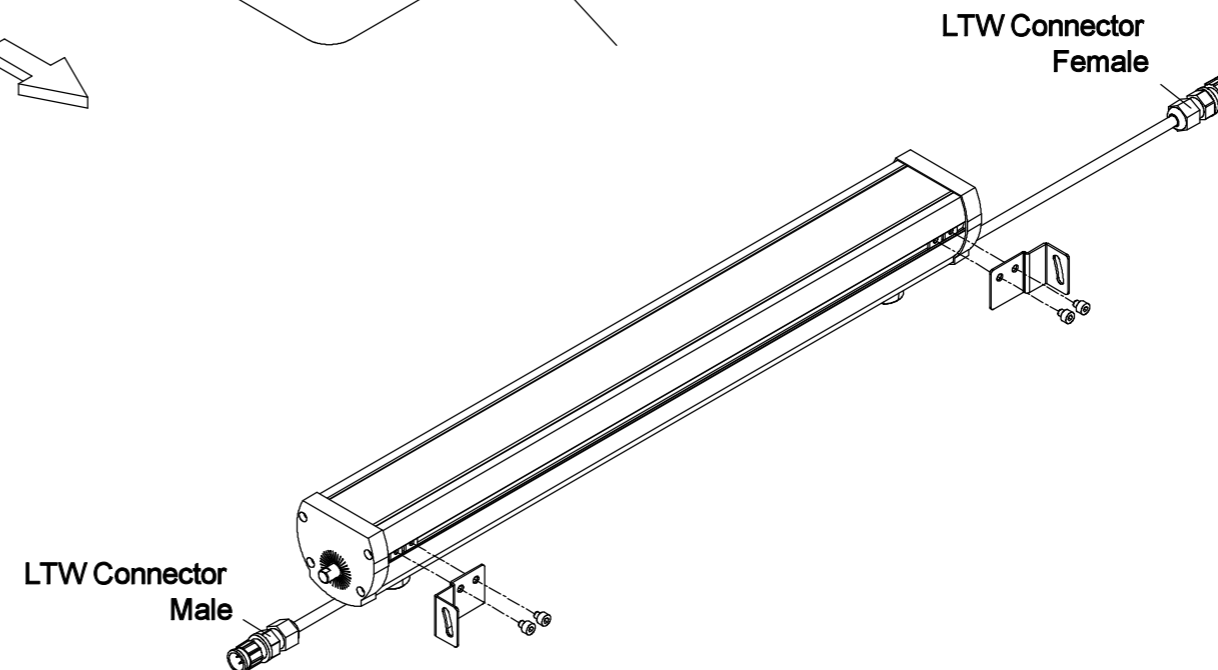
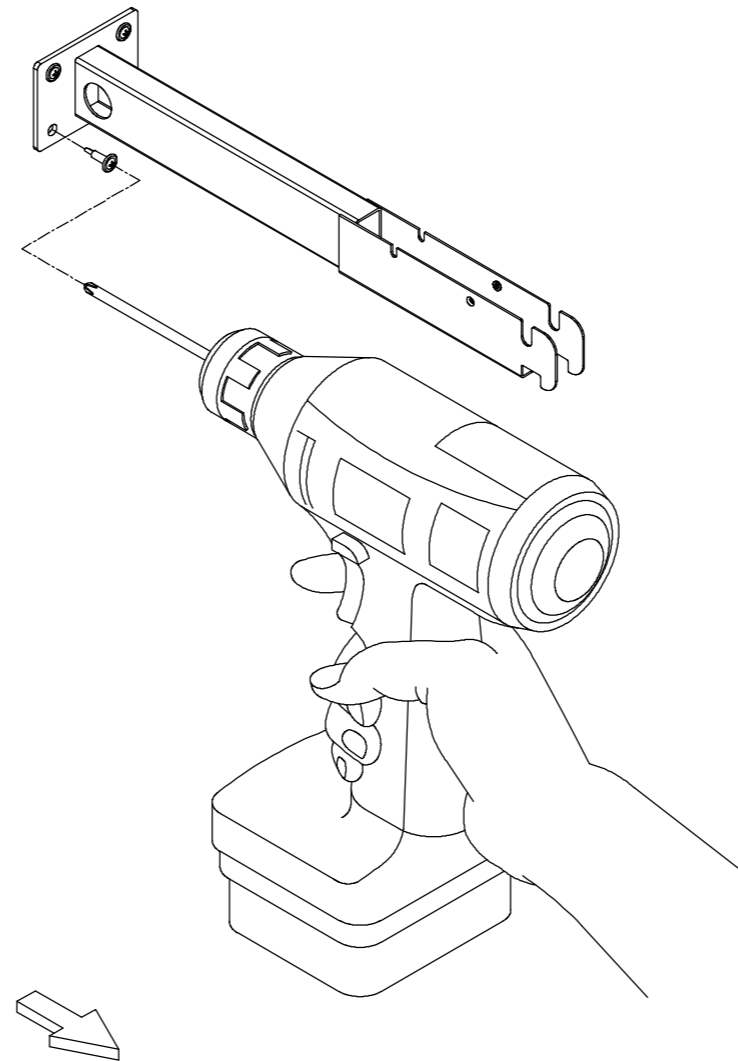
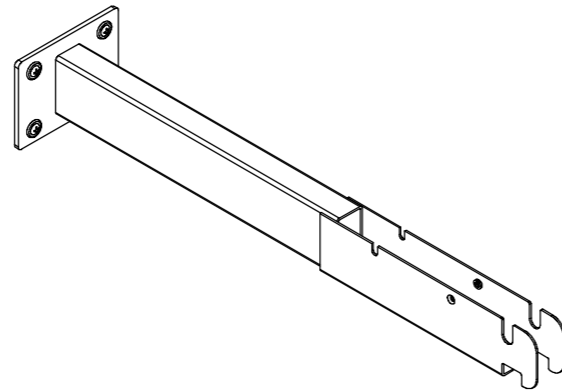
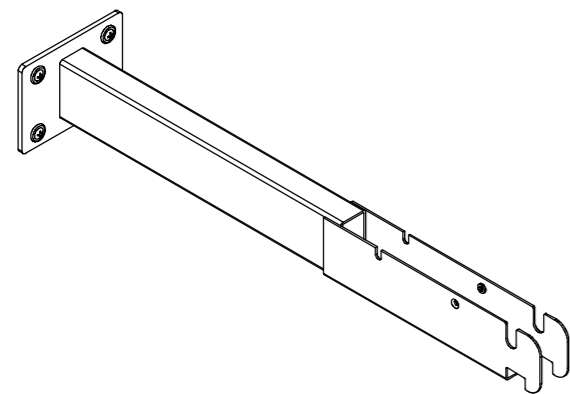
Upward projection



MODEL NUMBER	Standard	Voltage	CCT	Beam Angle	LEDs/Unit	Watt/Unit	LEDs/Pitch		AL Length		Total Length(A)		Length(B)		Note
	inch						mm	inch	mm	inch	mm	inch	mm	inch	
HB40RP-10-XXK-XXD-AC-12	10	AC100V ~AC277V	6500K 5000K 3000K 2700K	15°	5LEDs	9.2	45.72mm	1.8"	237.4		256	10	283	11.14	
HB40RP-19-XXK-XXD-AC-12	19			20°	10LEDs	18.4			465.4		484	19	511	20.11	
HB40RP-28-XXK-XXD-AC-12	28			30°	15LEDs	27.6			693.4		712	28	739	29.09	
HB40RP-37-XXK-XXD-AC-12	37			45°	20LEDs	36.8			921.4		940	37	967	38.07	
HB40RP-46-XXK-XXD-AC-12	46			13°x17° 30°x60° 120°	25LEDs	46			1149.4		1168	46	1195	47.04	

Upward projection

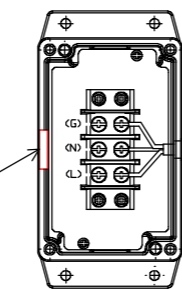
Right Power Feed



Upward projection

Right Power Feed

7/8" Hole for 1/2" Conduit Fitting



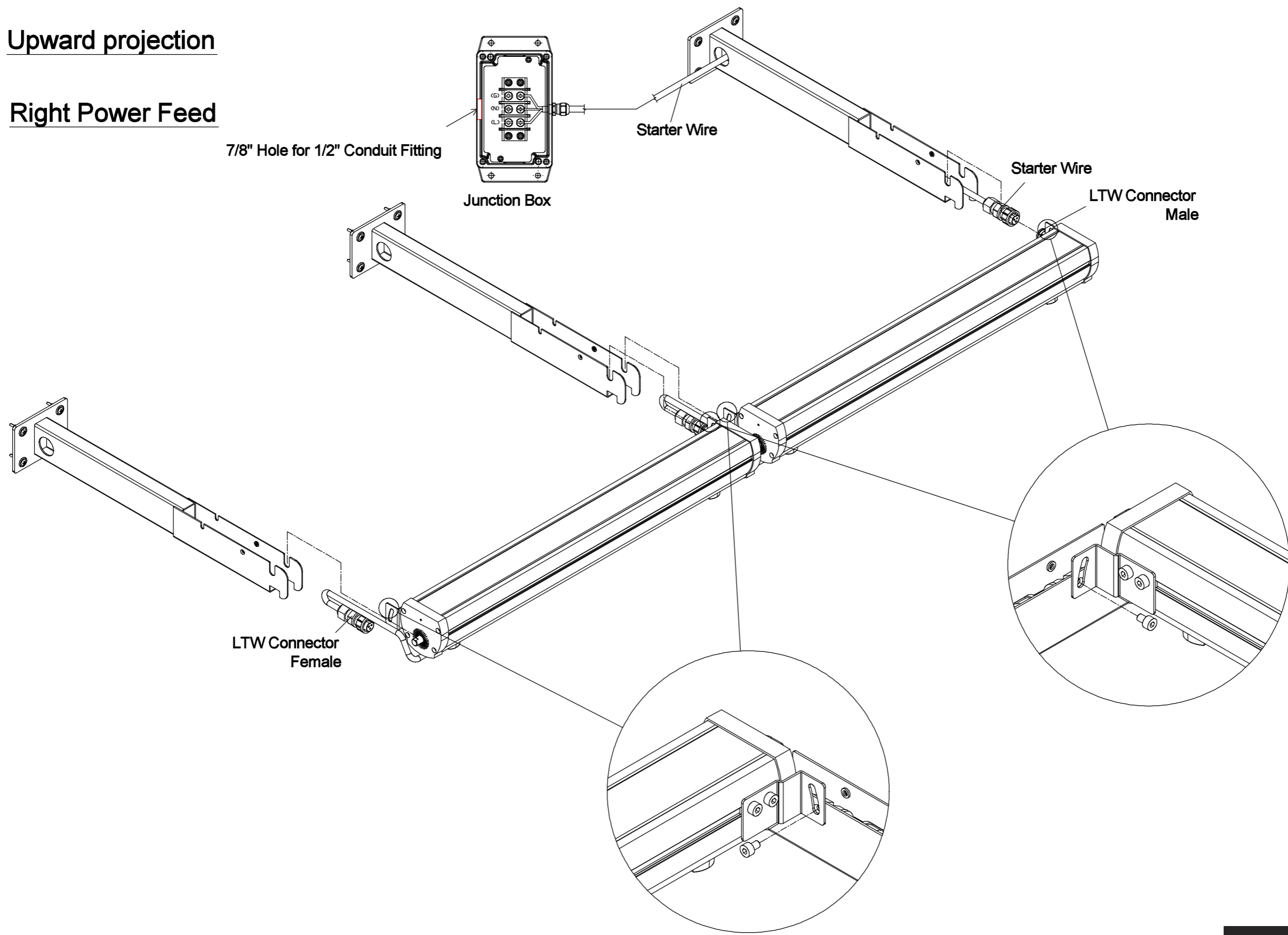
Junction Box

Starter Wire

Starter Wire

LTW Connector
Male

LTW Connector
Female



Upward projection

Right Power Feed

