



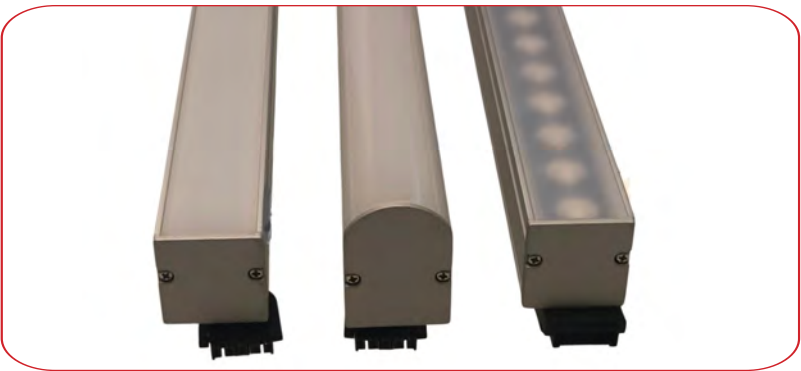
HB3014i

INTERIOR LINEAR LED LIGHTBAR

POWERFUL | COMPACT | LOW PROFILE
 4.5w/ft-7w/ft | 486-700m/ft

Wall Washing | Grazing | Cove Lighting

Crafted for affordable interior architectural illumination, The Smart Lighting Company HB3014i Series stands out as a high-performance, low-profile LED luminaire. The fixture is available in two power options, 4.5w/ft for an output of 458lm/ft and 7w/ft for a higher output of 700lm/ft. Designed with precision for wall washing, grazing, and cove lighting, this specification-grade fixture blends seamlessly into modern spaces. Accommodating a range of spaces, the HB3014i is offered in four lengths and various color temperatures, each featuring a universal 100/277VAC integral driver. The use of Nichia bin-sorted LEDs ensures a superior and consistent light output, while precision-engineered optical lenses maximize light efficiency. Advanced thermal management and a user-friendly plug and play cable system facilitate effortless installation, available with bottom or side wire feed for a lower profile. Optimal for creating striking visual effects in cove, grazing and wall-washing applications, the HB3014i is the definitive lighting solution for enhancing architectural details.



HB30i Series



SPECIFICATIONS

Date:

Type:

Project:

Firm:

PERFORMANCE

Output

4.5w/ft - 486lm/ft | 7w/ft - 700m/ft

Color Temperatures

22k, 25k, 27k, 30k, 35k, 41k, 50k, 65k, R, G, B, A

Beam Angles

15°, 30°, 45°, 60°, 75°, 90°, 120°, 30°x60°

LEDs per Foot

14

LED's

Nichia bin-sorted

Color Consistency

2 SCDM

CRI

85 standard, 95 optional

ELECTRICAL

Input Voltage

100-277vac

Power Supply

Integral

Control

0-10v dimming

Heat dissipation

Full thermal management system

Connection

Quick connect plug and play system
(power and signal in one cable)

Projected Lumen Maintenance

>90,000 hours

PHYSICAL

Fixture Length Options

1', 2', 3' 4'

Max Run Length

4.5w - 251ft@277vac, 109ft@120vac

7.0w - 147ft@277vac, 64ft@120vac

Housing

Anodized extruded aluminum, tooled end caps

Lens

Polycarbonate

Fixture Finish (Standard)

Anodized aluminum

Powder Coated Finish (Optional)

Black, Bronze, White, CU

Standard Mounting

Stainless adjustable or flat brackets

Operating Temperature

-40°F to 122°F, (-40°C to 50°C)

ENVIRONMENT AND WARRANTY

IP Rating

IP40

Environment

Dry locations

Certifications

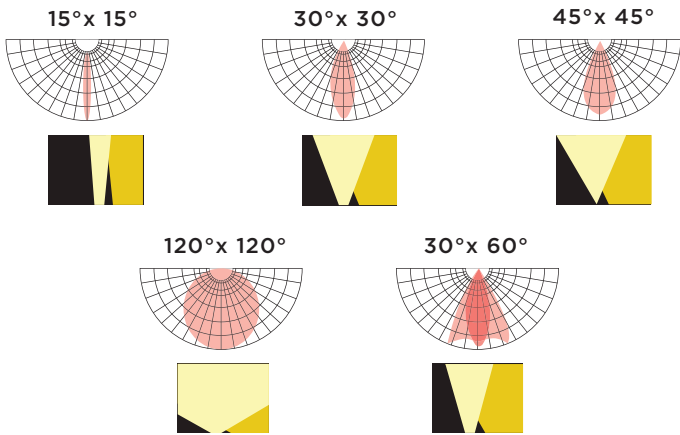
UL, cUL

Warranty

5 year limited warranty

SPECIFICATIONS

OPTICS



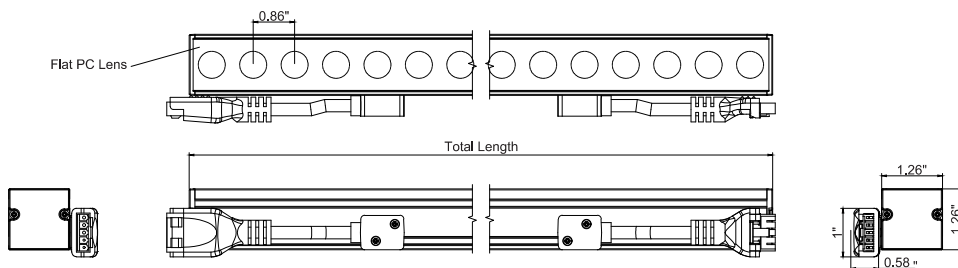
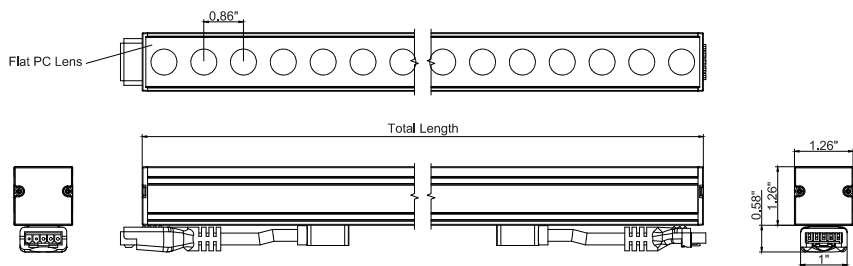
COLOR TEMPERATURES



DIMENSIONS AND DATA

	Voltage	View Angle	Watts/ Fixture	Lumens/ Fixture	LEDs/ Fixture	Extrusion Length	Total Length
HB3014i-1-XXK-XXD-ACD-4	100-277VAC	15°, 30°	4.9w	486	14	L=305.9mm	L=306.8mm (12.1")
HB3014i-2-XXK-XXD-ACD-4		45°, 60°	9.6w	972	28	L=606.8mm	L=611.8mm (24.1")
HB3014i-3-XXK-XXD-ACD-4		75°, 90°	13.2w	1458	42	L=911.4mm	L=916.4mm (36.1")
HB3014i-4-XXK-XXD-ACD-4		30°x60° 120°	17.6w	1944	56	L=1216.2mm	L=1221.2mm (48.1")
HB3014i-1-XXK-XXD-ACD-7	100-277VAC	15°, 30°	7.0w	700	14	L=305.9mm	L=306.8mm (12.1")
HB3014i-2-XXK-XXD-ACD-7		45°, 60°	14.0w	1400	28	L=606.8mm	L=611.8mm (24.1")
HB3014i-3-XXK-XXD-ACD-7		75°, 90°	21.0w	2100	42	L=911.4mm	L=916.4mm (36.1")
HB3014i-4-XXK-XXD-ACD-7		30°x60° 120°	28.0w	2800	56	L=1216.2mm	L=1221.2mm (48.1")

PROFILES



ORDER FORM

CREATE YOUR FIXTURE

Ex. HB3014i-4-30K-15-ACD

MODEL	LENGTH	COLOR	OPTICS
HB3014i	1' 12 inches	22k 2200k R Red	15 15°x15°
	2' 24 inches	25k 2500k G Green	30 30°x30°
	3' 36 inches	27k 2700k B Blue	45 45°x45°
	4' 48 inches	30k 3000k A Amber	60 60°x60°
		35k 3500k	75 75°x75°
		41k 4100k	90 90°x90°
		50k 5000k	120 120°x120°
		65k 6500k	3060 30°x60°

VOLTAGE	CONTROL	POWER
AC 100-277vac	D 0-10v Dimming	4 4.5w/ft
	ND Non Dimming	7 7.0w/ft

SELECT CONNECTION

Wire Lead

QTY	POWER/SIGNAL	
	AL-ID5P-72"-W/L	72" (6ft) Wire lead 5pin
	AL-ID5P-xx"-W/L	xx" (CU) Wire lead 5pin
QTY	POWER	
	AL-ID3P-72"-W/L	72" (6ft) Wire lead 3pin
	AL-ID3P-xx"-W/L	xx" (CU) Wire lead 3pin

* 1 wire lead required for each run.

End Cap

QTY		
	AL-ID3P-ENDCAP	End cap for fixture output at end of run

* 1 End cap required at the end of each run

Jumper Cable

QTY	POWER/SIGNAL	
	AL-ID5P-12"-J	12" (1ft) jumper 5pin
	AL-ID5P-72"-J	72" (6ft) jumper 5pin
	AL-ID5P-xx"-J	xx" (CU) jumper 5pin
QTY	POWER	
	AL-ID3P-12"-J	12" (1ft) jumper 3pin
	AL-ID3P-72"-J	72" (6ft) jumper 3pin
	AL-ID3P-xx"-J	xx" (CU) jumper 3pin

* Fixtures are end to end connected. Use jumpers if space is needed between fixtures.

ADDITIONAL OPTIONS

Optional Powder Coated Finish

QTY	POWDER COATED FINISHES AVAILABLE FOR ADDITIONAL COST
	BK Black
	BZ Bronze
	WH White
	CU Custom

* Fixture housing is anodized aluminum standard

0-10V Dimmer

QTY		
	LUT-DVSTV-WH	0-10v dimming wall switch

Surge Protection

QTY		
	LSP4-UNV	120/277v surge protector

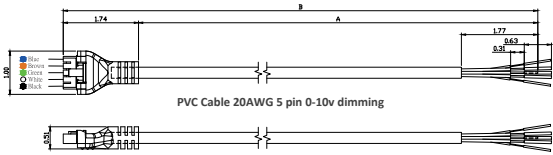
SELECT MOUNTING

QTY	MOUNTING BRACKETS - 2 PER FIXTURE	
	AL-ID/PD30-ADJ BRACKET	HB30i Adjustable bracket
	AL-ID30-FLAT BRACKET	HB30i Flat bracket bottom wire feed
	AL-ID30-FSF BRACKET	HB30i Flat bracket side wire feed

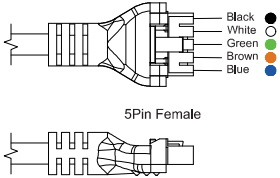
WIRING OPTIONS

WIRE LEAD

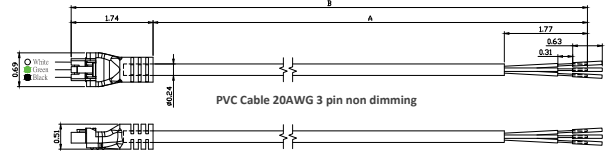
DESCRIPTION | **PART NUMBER**
 5 pin power / signal wire | AL-ID5P-xx"-W/L



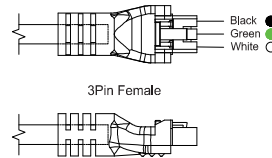
Wire color	Description
● Black	AC_L
○ White	AC_N
● Green	Ground
● Brown	1~10V+ or DMX+
● Blue	1~10V- or DMX-



DESCRIPTION | **PART NUMBER**
 3 pin power wire | AL-ID3P-xx"-W/L

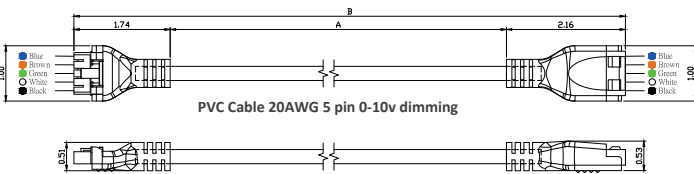


Wire color	Description
● Black	AC_L
○ White	AC_N
● Green	Ground

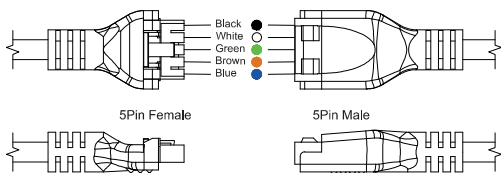


JUMPER CABLE

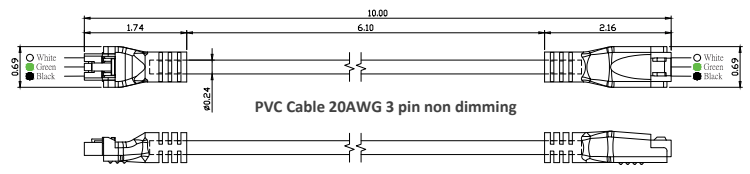
DESCRIPTION | **PART NUMBER**
 5 pin power / signal jumper | AL-ID5P-xx"-J



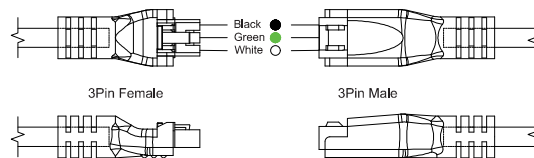
Wire color	Description
● Black	AC_L
○ White	AC_N
● Green	Ground
● Brown	1~10V+ or DMX+
● Blue	1~10V- or DMX-



DESCRIPTION | **PART NUMBER**
 3 pin power jumper | AL-ID3P-xx"-J



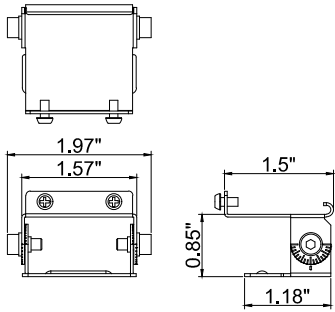
Wire color	Description
● Black	AC_L
○ White	AC_N
● Green	Ground



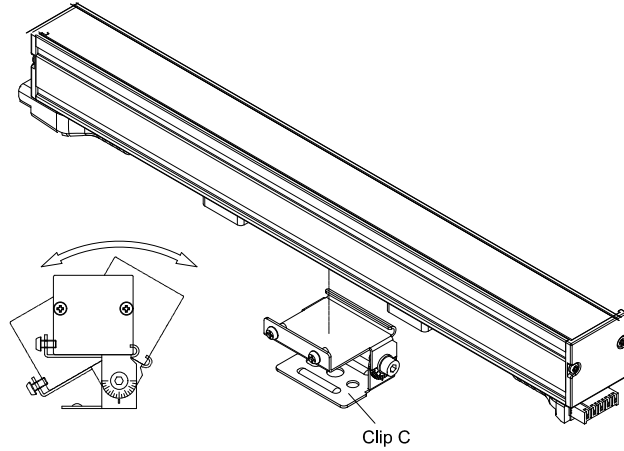
MOUNTING BRACKETS

ADJUSTABLE BRACKETS

DESCRIPTION | **PART NUMBER**
 HB30i Adjustable Bracket | AL-ID/PD30 ADJ.Bracket

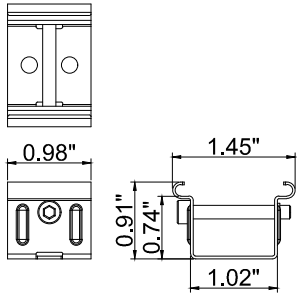


Clip C

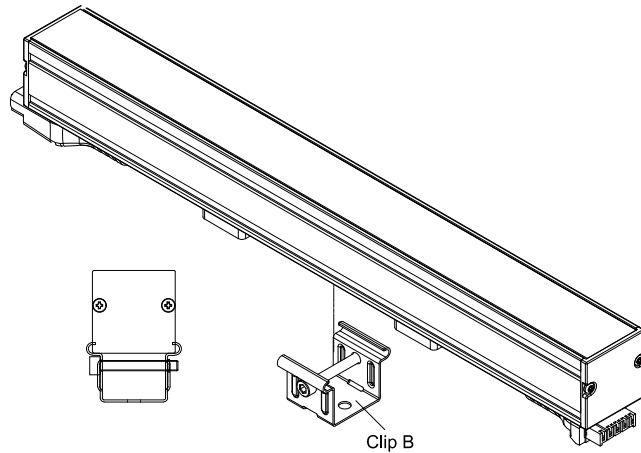


FLAT BOTTOM FEED BRACKETS

DESCRIPTION | **PART NUMBER**
 HB30 Flat Bracket - bottom wire feed | AL-ID30-Flat Bracket

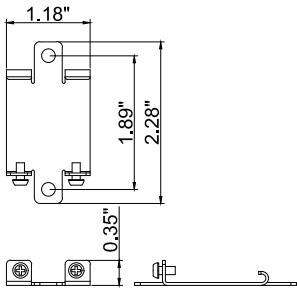


Clip B

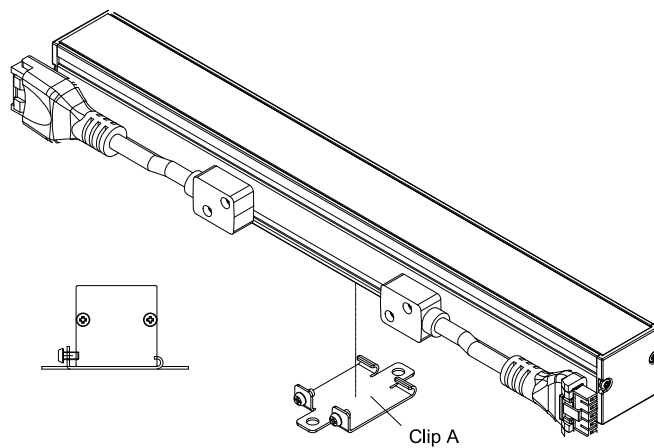


FLAT SIDE FEED BRACKETS

DESCRIPTION | **PART NUMBER**
 HB30 Flat Bracket - side wire feed | AL-ID30-FSF Bracket



Clip A



SURGE PROTECTION DEVICE

Date:
 Type:
 Project:
 Firm:

SURGE PROTECTION

DESCRIPTION

Surge Protection Device

PART NUMBER

AL-LSP-UNV

The use of a surge protection device is necessary to maintain your warranty. Specifications are subject to change without notice.

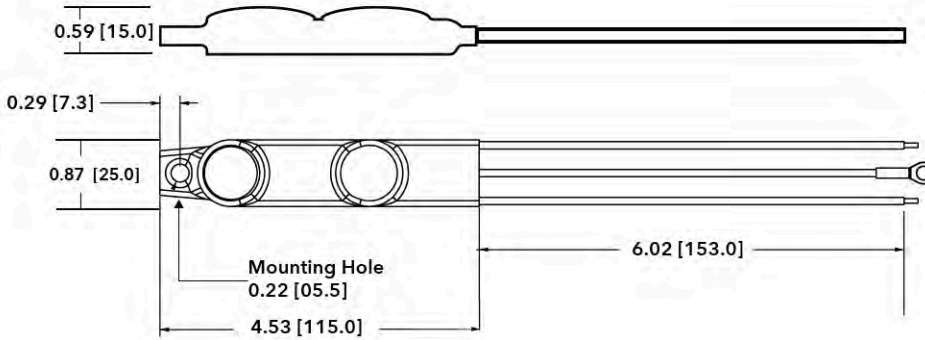
SPECIFICATIONS

Input Voltage	120-277V (+/- 5%)		
Frequency	50Hz-60Hz		
Maximum Continuous Voltage	320V		
Maximum Discharge Current	L-N 20kA; L-G, N-G 10kA (8/20Qs standard wave)		
Nominal Discharge Current	5kA		
Measured Limiting Voltage (VpK)	L-N	L-G	N-G
	1200	1320	1320
Max Case Temperature	85°C		

PULSE RATING (8 X 20 SEC)		
Surge Level	# of Strikes	
	L-N	L-G, N-G
10,000A	*2	1
6,500A	4	2
5,000A	30	15
2,000A	200	100
700A	20000	1000

*1 strike at 20,000A

MECHANICAL DIMENSIONS : IN (MM)



WIRING DIAGRAM

