



HB3016 RGBW

EXTERIOR LINEAR LED LIGHTBAR

POWERFUL | COMPACT | LOW PROFILE
 6w/ft | 226lm/ft | RGBW | DMX

Grazing | Wall Washing | Cove | General Lighting



The Smart Lighting Company HB3016 RGBW Series is an economical high-performance, color-changing LED luminaire encased in a compact, low-profile package, engineered to deliver exceptional lighting for grazing, washing, cove, and general applications. Powered by a universal 100/277VAC driver and available in four adaptable sizes, it offers a spectrum of color temperatures to meet your design requirements. Our selection of Nichia bin-sorted LEDs ensures a bright, uniform output, renowned for its quality among architects and lighting designers. The energy-efficient optical lenses are fine-tuned to maximize luminosity with minimal power usage. Robustly built with an extruded anodized aluminum housing and precise tooled end caps, the fixture is IP66 rated. The HB3016 RGBW is designed for quick and efficient installation, featuring Plug and Play connectors and self-addressing for easy integration into DMX control systems. It offers extensive customization options, including adjustable length, various optics, multiple mounting choices, and a range of finishes.



SPECIFICATIONS

PERFORMANCE

Output

6w/ft (5.4w/ft System) | 217lm/ft

Color Temperatures

RGBW

Beam Angles

15°, 20°, 30°, 45°, 60°, 75°, 90°, 120°, 18°x26°, 30°x60°

LEDs per Foot

16 (4R, 4G, 4B, 4W)

LED's

Nichia bin-sorted

Color Consistency

2 SCDM

ELECTRICAL

Input Voltage

100-277vac

Power Supply

Integral

Control

DMX

Resolution

Per 12" or per fixture

Heat dissipation

Full thermal management system

Connection

Quick connect plug and play system (one cable for power and signal)

Lumen Maintenance

90,000hrs

PHYSICAL

Fixture Length Options

12", 24", 36", 48"

Max Run Length

197ft@277vac, 85ft@120vac

Housing

Anodized extruded aluminum, tooled end caps

Lens

Polycarbonate

Fixture Finish (Standard)

Anodized aluminum

Powder Coated Finish (Optional)

Black, Bronze, White, CU

Standard Mounting

Stainless adjustable or flat brackets

Optional Mounting

Powder-coated housing | extended arms or ground post stakes

Operating Temperature

-40°F to 122°F, (-40°C to 50°C)

ENVIRONMENT AND WARRANTY

IP Rating

IP66

Environment

Dry, Damp or Wet locations
0-100% non-condensing humidity

Certifications

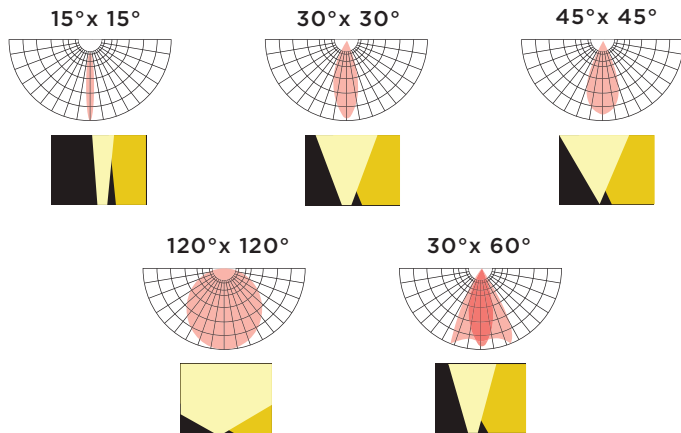
UL, cUL

Warranty

5 year limited warranty

SPECIFICATIONS

OPTICS



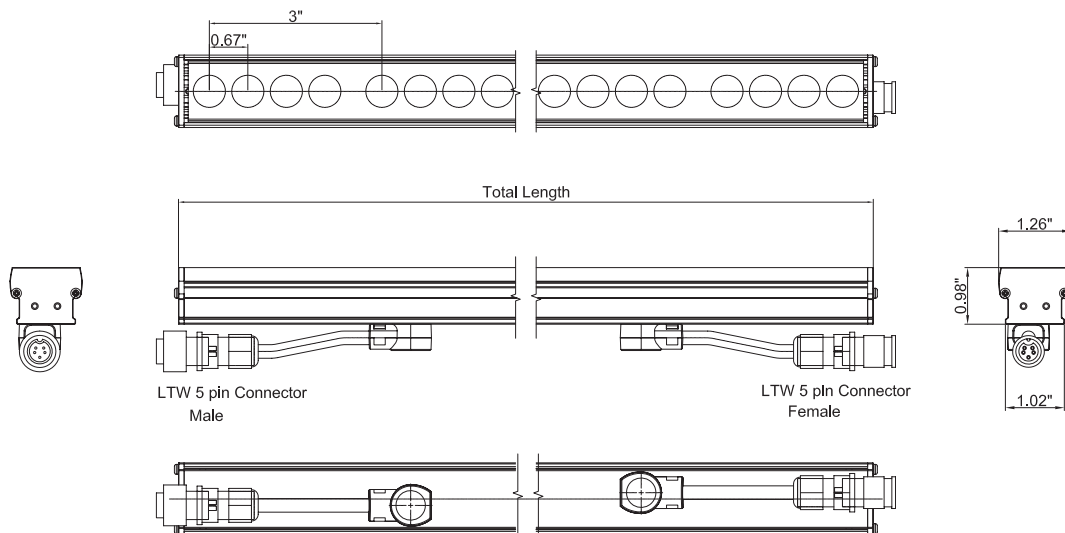
COLOR TEMPERATURES



DIMENSIONS AND DATA

6w/ft	Voltage	View Angle	Watts/ Fixture	Lumens/ Fixture	LEDs/ fixture	Extrusion Length	Total Length
HB3016-12-RGBW-XXD-AC-DX	100-277VAC	15°, 30°	6w	226	4R,4G,4B,4W	L=301.8mm	L=306.8mm (12.1")
HB3016-24-RGBW-XXD-AC-DX		45°, 60°	11.4w	452	8R,8G,8B,8W	L=606.8mm	L=611.8mm (24.1")
HB3016-36-RGBW-XXD-AC-DX		75°, 90°	16.8w	678	12R,12G,12B,12W	L=911.4mm	L=916.4mm (36.1")
HB3016-48-RGBW-XXD-AC-DX		120°	22.4w	904	16R,16G,16B,16W	L=1216.2mm	L=1221.2mm (48.1")
		30°x60°					

PROFILE



ORDER FORM

CREATE YOUR FIXTURE

Ex: HB3016-48-RGBW65-30-AC-DM

MODEL HB3016 6w/ft	LENGTH 12" 12 inches 24" 24 inches 36" 36 inches 48" 48 inches	COLOR RGBW 27k 2700k Select the W - 30k is standard 30k 3000k 35k 3500k 41k 4100k 50k 5000k 65k 6500k A Amber	OPTICS 15 15°x15° 1826 18°x26° 20 20°x20° 3060 30°x60° 30 30°x30° 45° 45°x45° 60° 60°x60° 75° 75°x75° 90° 90°x90° 120 120°x120°
VOLTAGE AC 100-277vac	CONTROL DM Addressable/12" DS Addressable/fixture		

SELECT CONNECTION

Wire Lead

QTY	POWER/SIGNAL	
<input type="checkbox"/>	AL-HB5P-72"-W/L	72" (6ft) Wire lead 5pin
<input type="checkbox"/>	AL-HB5P-xx"-W/L	xx" (CU) Wire lead 5pin

* 1 wire lead required for each run.

End Cap

QTY		
<input type="checkbox"/>	AL-HB5P-ENDCAP	End cap for fixture output at end of run

* 1 End cap required at the end of each

Jumper Cable

QTY	POWER/SIGNAL	
<input type="checkbox"/>	AL-HB5P-12"-J	12" (1ft) jumper 5pin
<input type="checkbox"/>	AL-HB5P-72"-J	72" (6ft) jumper 5pin
<input type="checkbox"/>	AL-HB5P-xx"-J	xx" (CU) jumper 5pin

* Fixtures are end to end connected. Use jumpers if space is needed between fixtures.

SELECT MOUNTING

MOUNTING BRACKETS - 2 PER FIXTURE

<input type="checkbox"/>	AL-HB30-ADJ BRACKET	HB30 Adjustable bracket
<input type="checkbox"/>	AL-HB30-FLAT BRACKET	HB30 Flat bracket

* Select flat brackets if fixture is mounted in powder coated housing

ADDITIONAL OPTIONS

Optional Powder Coated Finish

QTY	Powder coated finishes available for additional cost	
<input type="checkbox"/>	BK	Black
<input type="checkbox"/>	BZ	Bronze
<input type="checkbox"/>	WH	White
<input type="checkbox"/>	CU	Custom



* Fixture housing is anodized aluminum standard

DMX Controller

QTY		
<input type="checkbox"/>	NIC-DMX-STICK-DE3	DMX Controller

Surge Protection

QTY		
<input type="checkbox"/>	LSP4-UNV	120/277v surge protector

Junction Boxes

QTY		
<input type="checkbox"/>	AC4A-DMX-3WB3M	Power and signal wire splitter
<input type="checkbox"/>	AC4A-DMX-3WB2M	AC Power amplifier for long run lengths

* Used in place of wire leads to separate power and signal

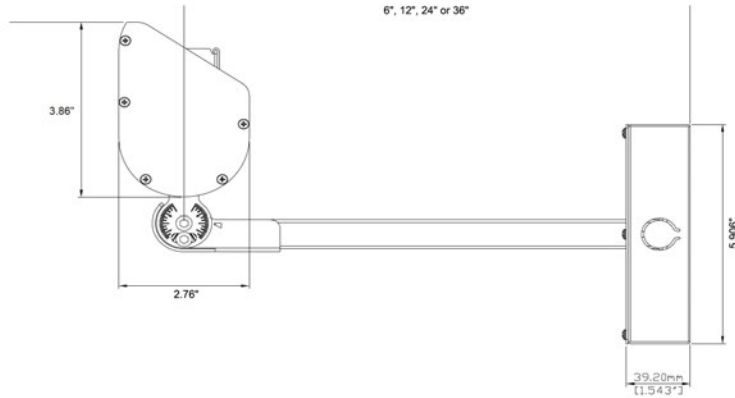
ORDER FORM

ADDITIONAL MOUNTING OPTIONS

Housing and Extended Arms

Fixture can be mounted in a powder coated housing with integral glare shield

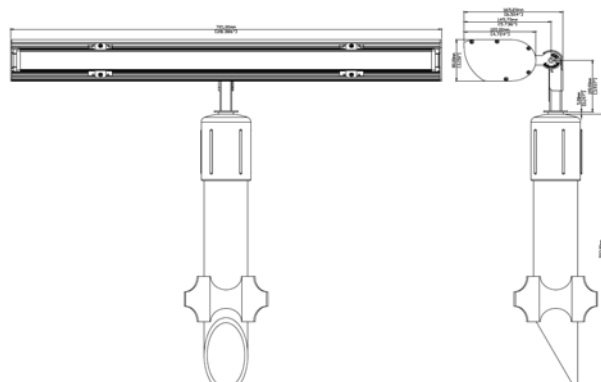
QTY	Housing	(L) Housing Length	(F) Finish	(A) Extended Arm Length
	HB30EXT-	12"	BK - Black	6"
		24"	BZ - Bronze	12"
		36"	WH - White	18"
		48"	SI - Silver	24"
			CU - Custom	36"
GPA (Ground Post Arm)				



Ground Posts

QTY **Select when using GPA above (1 per fixture for 12" & 24" housing and 2 for 36" & 48" housing)**
 HBEXT-GPS Ground post mount

1ft & 2ft extrusions require one HBEXT-GPS. 3ft & 4ft extrusions require two HBEXT-GPS.



GLARE PROTECTION

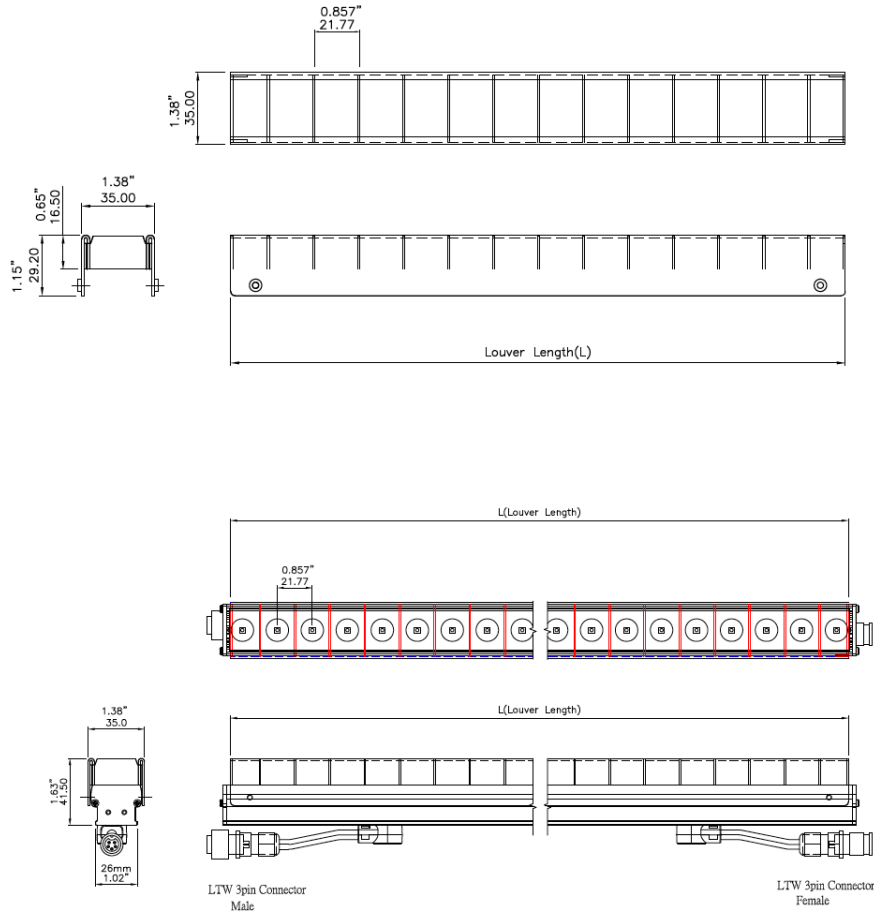
LOUVERS

Glare Control

Standard black finish powder coated louvers

QTY	Housing	(L) Housing Length	(F) Finish
	HB30-12" LOUVER	12"	BK - Black
	HB30-24" LOUVER	24"	BZ - Bronze
	HB30-36" LOUVER	36"	WH - White
	HB30-48" LOUVER	48"	SI - Silver
			CU - Custom

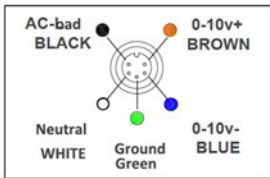
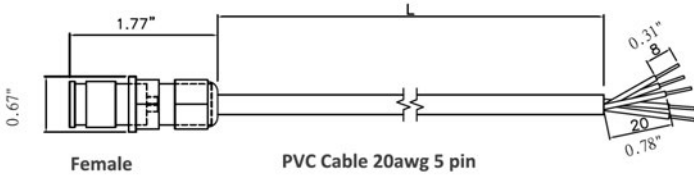
* Other powder coated finishes available for additional cost



WIRING OPTIONS

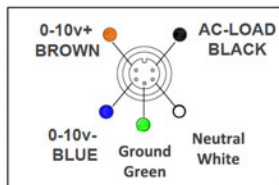
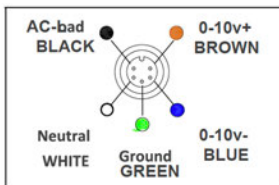
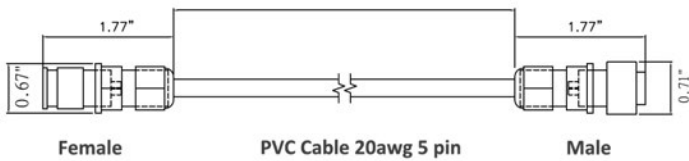
WIRE LEAD

DESCRIPTION 5 pin power / signal wire	PART NUMBER AL-HB5P-xx"-W/L
---	---------------------------------------



JUMPER CABLE

DESCRIPTION 5 pin power / signal jumper	PART NUMBER AL-HB5P-xx"-W/L
---	---------------------------------------



POWER/SIGNAL

Date:

Type:

Project:

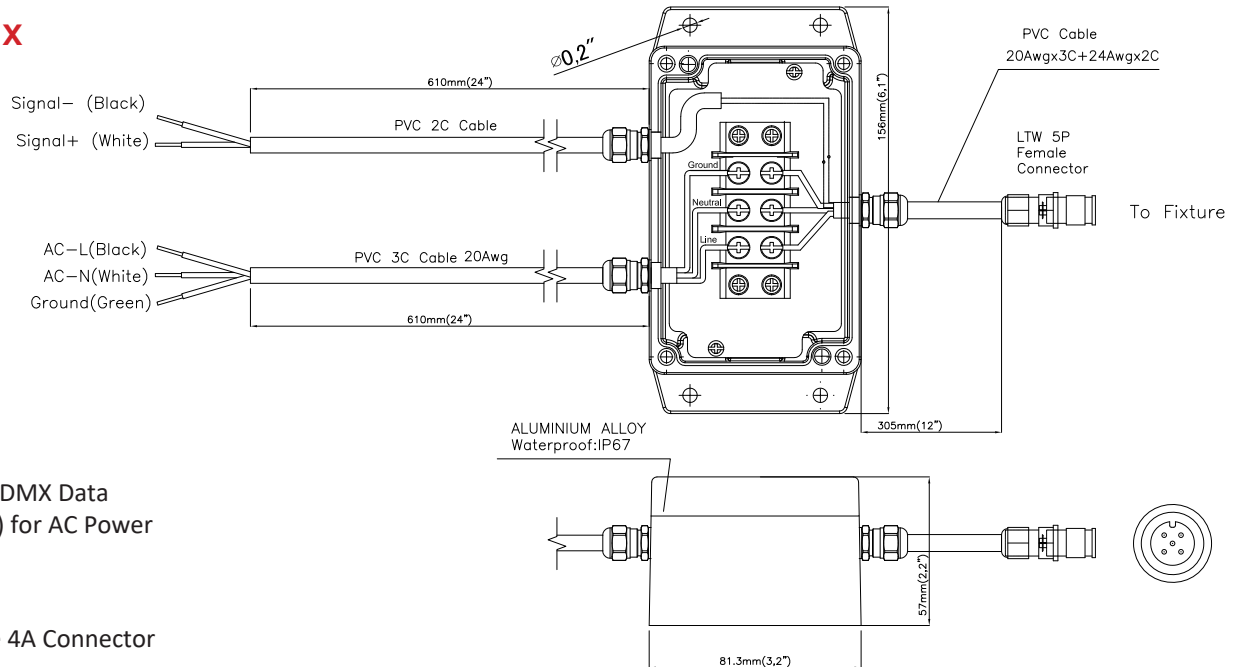
Firm:

DISTRIBUTION BOXES

JUNCTION BOX - POWER AND SIGNAL SPLITTER

JUNCTION BOX

AC5A-DMX-3WB3



INPUT

24" Cable (2 leads) for DMX Data
24" PVC Cable (3 leads) for AC Power

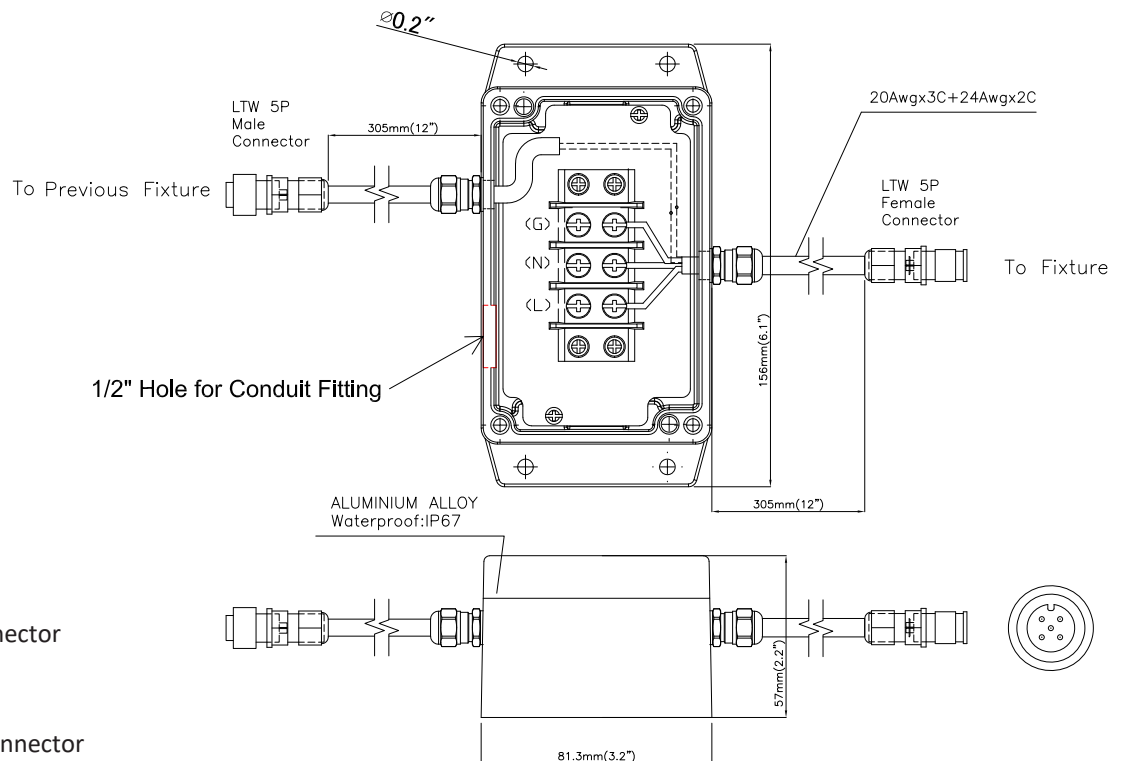
OUTPUT

12" Cable w 5P Female 4A Connector

JUNCTION BOX-AC POWER AMPLIFIER FOR LONG RUN LENGTHS

JUNCTION BOX

AC5A-DMX-3WB2



INPUT

12" PVC Cable w/ 5P Male 4A Connector

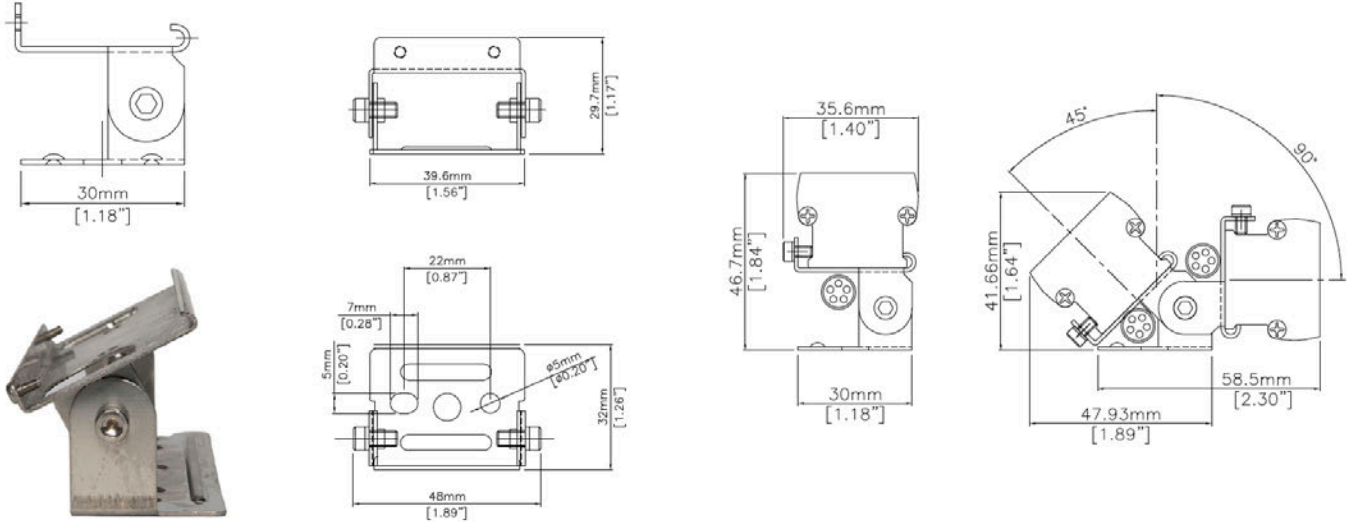
OUTPUT

12" PVC Cable w/ 5P Female 4A Connector

MOUNTING BRACKETS

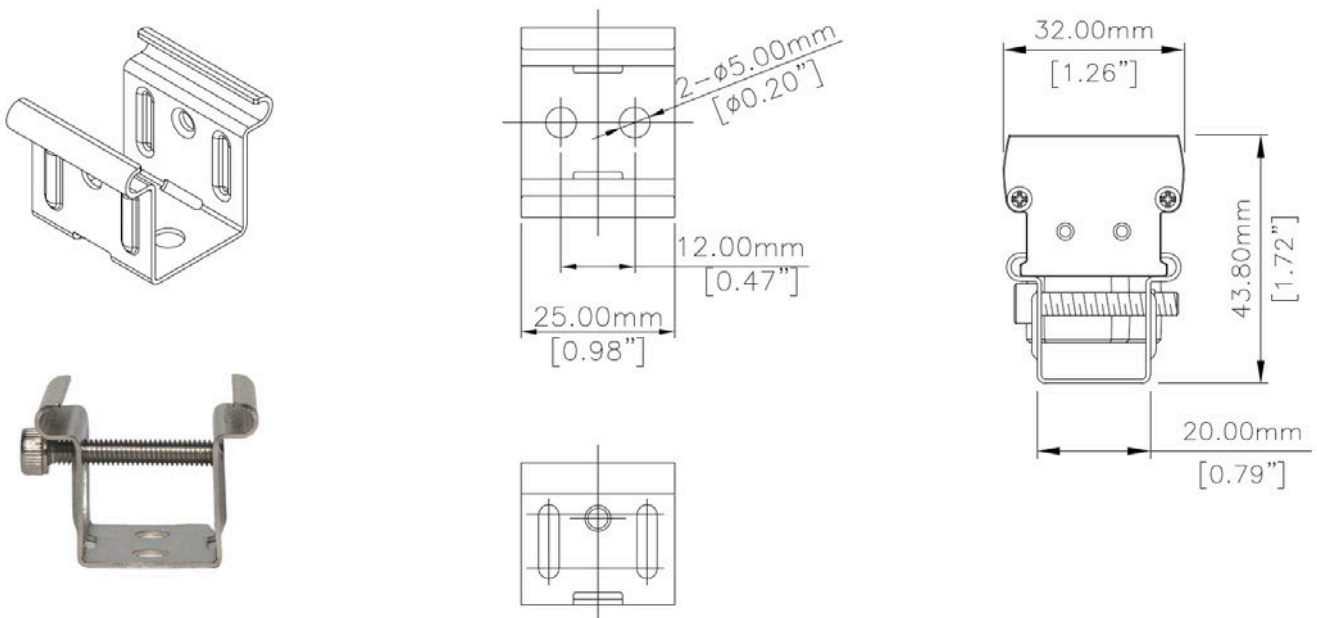
ADJUSTABLE BRACKETS

DESCRIPTION | **PART NUMBER**
 HB30 Adjustable Bracket | AL-HB30 ADJ.Bracket



FLAT BRACKETS

DESCRIPTION | **PART NUMBER**
 HB30 Flat Bracket | AL-HB30-Flat Bracket



SURGE PROTECTION

DESCRIPTION

Surge Protection Device

PART NUMBER

AL-LSP-UNV

The use of a surge protection device is necessary to maintain your warranty. Specifications are subject to change without notice.

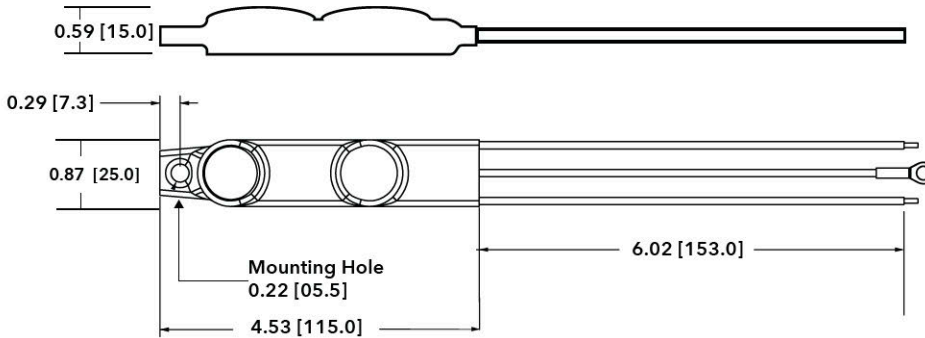
SPECIFICATIONS

Input Voltage	120-277V (+/- 5%)		
Frequency	50Hz-60Hz		
Maximum Continuous Voltage	320V		
Maximum Discharge Current	L-N 20kA; L-G, N-G 10kA (8/20Qs standard wave)		
Nominal Discharge Current	5kA		
Measured Limiting Voltage (VpK)	L-N	L-G	N-G
	1200	1320	1320
Max Case Temperature	85°C		

PULSE RATING (8 X 20 SEC)		
Surge Level	# of Strikes	
	L-N	L-G, N-G
10,000A	*2	1
6,500A	4	2
5,000A	30	15
2,000A	200	100
700A	20000	1000

*1 strike at 20,000A

MECHANICAL DIMENSIONS : IN (MM)



WIRING DIAGRAM

