



HB3014RH

EXTERIOR LINEAR LED LIGHTBAR

POWERFUL | COMPACT | LOW PROFILE
 4.5w/ft | 365lm/ft - 7w/ft | 458lm/ft

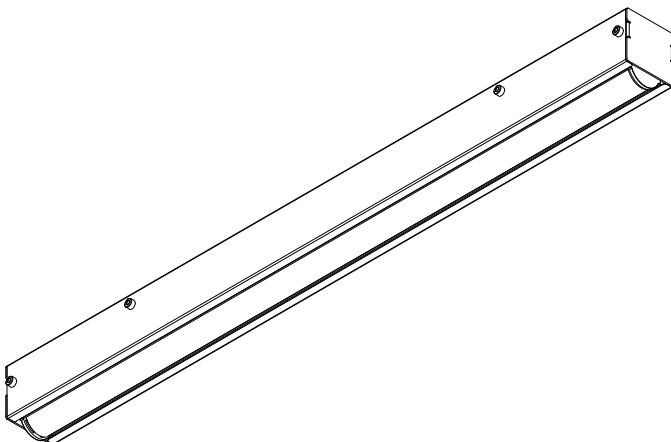
Canopy | Ceiling | Wall



A compact and efficient linear exterior rated fixture recessed in a black powder coated housing ideal for use in individual or row configuration for ceiling mounted applications. It offers cost-saving benefits of LEDs to drive throughs, canopies, awnings and ATMs. This low-profile, high-performance spec-grade luminaire is equipped with a universal 100/277VAC integral driver and is available in four lengths with a variety of color temperatures.

Utilizing Nichia bin-sorted LEDs, the HB3014RH delivers consistent, high-quality even illumination sought after in architectural designs. Our full thermal management system ensures extremely low junction temperatures at the solder point to extend fixture life. Its durable powder coated aluminum housing allows for end-to-end connectivity, and a polycarbonate lens eliminates any lens discoloration.

The fixture is IP66 rated and the Plug and Play connectors make installation straightforward, offering a reliable and elegant lighting solution.



SPECIFICATIONS

PERFORMANCE

Output

4.5w/ft | 356lm/ft, 7w/ft | 458lm/ft

Color Temperatures

22k, 27k, 30k, 35k, 41k, 50k, 65k, R, G, B, A

Beam Angles

120°

LEDs per Foot

14

LED's

Nichia bin-sorted

Color Consistency

2 SCDM

CRI

80+ std, 90+ optional

ELECTRICAL

Input Voltage

100-277vac

Power Supply

Integral

Control

0-10v dimming

Heat dissipation

Full thermal management system

Connection

Quick connect plug and play system

Projected Lumen Maintenance

>90,000 hours

PHYSICAL

Fixture Length Options

12", 24", 36", 48"

Max Run Length

4w - 295ft@277vac, 128ft@120vac

7w - 147ft@277vac, 64ft@120vac

Housing

Anodized extruded aluminum, tooled end caps

Lens

Polycarbonate

Fixture Finish (Standard)

Black powder coat

Powder Coated Finish (Optional)

Bronze, White, CU

Standard Mounting

Black powder coated housing

Operating Temperature

-40°F to 122°F, (-40°C to 50°C)

ENVIRONMENT AND WARRANTY

IP Rating

IP66

Environment

Dry, Damp or Wet locations

0-100v non-condensing humidity

Certifications

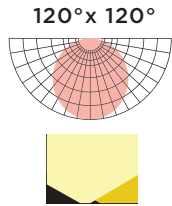
UL, cUL

Warranty

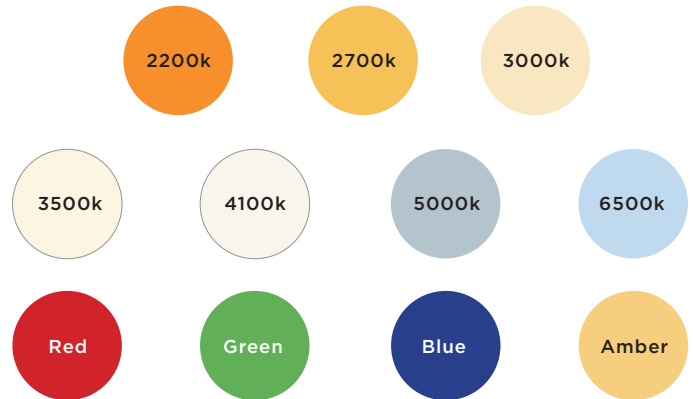
5 year limited warranty

SPECIFICATIONS

OPTICS



COLOR TEMPERATURES

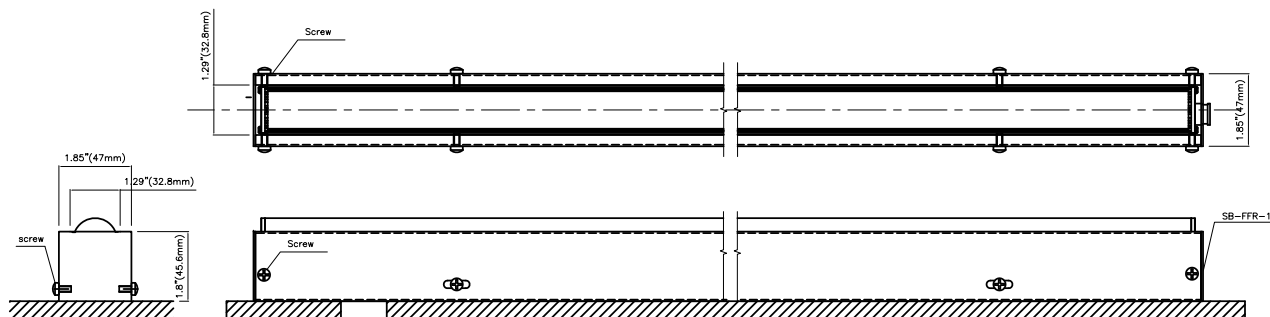


DIMENSIONS AND DATA

| 4.5w/ft | Voltage | View Angle | Watts/ Fixture | Lumens/ Fixture | LEDs/ Fixture | Extrusion Length | Total Length |
|--------------------------|-------------|------------|----------------|-----------------|---------------|------------------|--------------------|
| HB3014RH-1-XXK-XXD-ACD-4 | 100/ 270VAC | 120° | 4.5w | 365 | 14 | L=305.9mm | L=306.8mm (12.1") |
| HB3014RH-2-XXK-XXD-ACD-4 | | | 9w | 730 | 28 | L=606.8mm | L=611.8mm (24.1") |
| HB3014RH-3-XXK-XXD-ACD-4 | | | 13.5w | 1095 | 42 | L=911.4mm | L=916.4mm (36.1") |
| HB3014RH-4-XXK-XXD-ACD-4 | | | 18w | 1460 | 56 | L=1216.2mm | L=1221.2mm (48.1") |

| 7w/ft | Voltage | View Angle | Watts/ Fixture | Lumens/ Fixture | LEDs/ Fixture | Extrusion Length | Total Length |
|--------------------------|-------------|------------|----------------|-----------------|---------------|------------------|--------------------|
| HB3014RH-1-XXK-XXD-ACD-7 | 100/ 270VAC | 120° | 7w | 458 | 14 | L=305.9mm | L=306.8mm (12.1") |
| HB3014RH-2-XXK-XXD-ACD-7 | | | 14w | 916 | 28 | L=606.8mm | L=611.8mm (24.1") |
| HB3014RH-3-XXK-XXD-ACD-7 | | | 21w | 1374 | 42 | L=911.4mm | L=916.4mm (36.1") |
| HB3014RH-4-XXK-XXD-ACD-7 | | | 28w | 1832 | 56 | L=1216.2mm | L=1221.2mm (48.1") |

PROFILE



| | TOTAL LENGTH | LENGTH BETWEEN TWO CLIPS |
|----------|-----------------|--------------------------|
| HB30 1FT | 12.5"(317.4mm) | (one clip) |
| HB30 2FT | 24.5"(622.2mm) | 14.0"(355.6mm) |
| HB30 3FT | 36.5"(927mm) | 26.0"(660.4mm) |
| HB30 4FT | 48.5"(1231.8mm) | 38.0"(965.2mm) |

ORDER FORM

CREATE YOUR FIXTURE

Ex. HB3014RH-4-41K-120-ACD-4

| | | | |
|---------------------------------|---|--|--|
| MODEL HB3014RH | LENGTH 12" 12 inches 24" 24 inches 36" 36 inches 48" 48 inches | COLOR 22k 2200k R Red 27k 2700k G Green 30k 3000k B Blue 35k 3500k A Amber 41k 4100k 50k 5000k 65k 6500k | OPTICS 120 120°x120° |
| VOLTAGE AC 100-277vac | CONTROL D 0-10v Dimming ND Non Dimming | POWER 4 4.5w/ft 7 7w/ft | HOUSING COLOR BL BLACK BR BRONZE WH WHITE SI SILVER |

SELECT CONNECTION

Wire Lead

| | | |
|--------------------------|---------------------|--------------------------|
| QTY | POWER/SIGNAL | |
| <input type="checkbox"/> | AL-HB5P-72"-W/L | 72" (6ft) Wire lead 5pin |
| <input type="checkbox"/> | AL-HB5P-xx"-W/L | xx" (CU) Wire lead 5pin |
| QTY | POWER | |
| <input type="checkbox"/> | AL-HB3P-72"-W/L | 72" (6ft) Wire lead 3pin |
| <input type="checkbox"/> | AL-HB3P-xx"-W/L | xx" (CU) Wire lead 3pin |

* 1 wire lead required for each run.

End Cap

| | | |
|--------------------------|--------------------------------------|--|
| QTY | x=5P for dimming, 3P for non-dimming | |
| <input type="checkbox"/> | AL-HBxP-ENDCAP | End cap for fixture output at end of run |

* 1 End cap required at the end of each run

Jumper Cable

| | | |
|--------------------------|---------------------|-----------------------|
| QTY | POWER/SIGNAL | |
| <input type="checkbox"/> | AL-HB5P-12"-J | 12" (1ft) jumper 5pin |
| <input type="checkbox"/> | AL-HB5P-72"-J | 72" (6ft) jumper 5pin |
| <input type="checkbox"/> | AL-HB5P-xx"-J | xx" (CU) jumper 5pin |
| QTY | POWER | |
| <input type="checkbox"/> | AL-HB3P-12"-J | 12" (1ft) jumper 3pin |
| <input type="checkbox"/> | AL-HB3P-72"-J | 72" (6ft) jumper 3pin |
| <input type="checkbox"/> | AL-HB3P-xx"-J | xx" (CU) jumper 3pin |

* Fixtures are end to end connected. Use jumpers if space is needed between fixtures.

ADDITIONAL OPTIONS

Surge Protection

| | | |
|-----|-----------------------------------|--------------------------|
| QTY | <input type="checkbox"/> LSP4-UNV | 120/277v surge protector |
|-----|-----------------------------------|--------------------------|

HOUSING COLORS



CONNECTION CLIPS

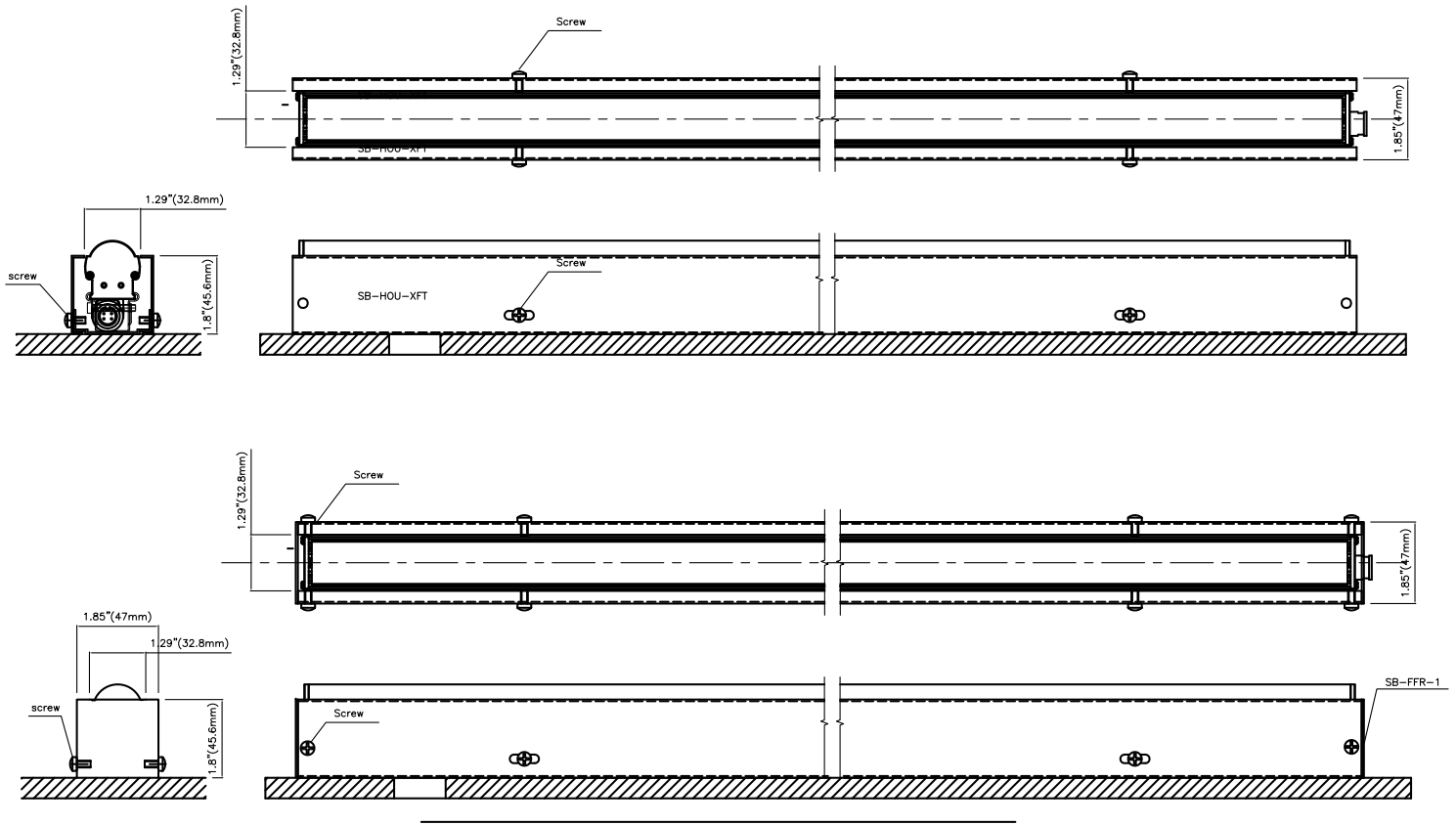


| | | |
|--------------------------|--------------|---|
| <input type="checkbox"/> | AL-HB30RH-CC | Connection clip to connect multiple fixtures together |
|--------------------------|--------------|---|

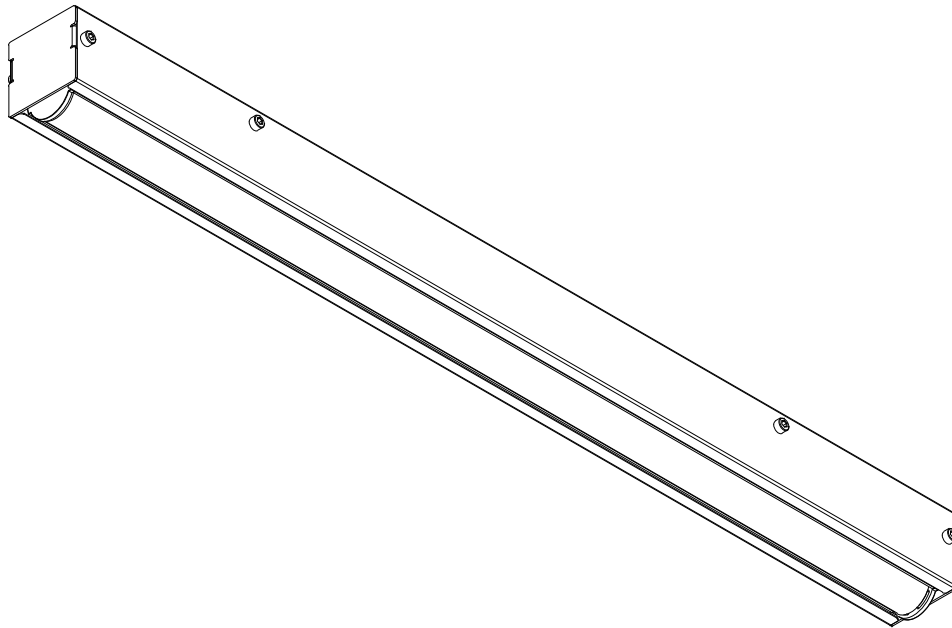
HB3014RH EXTERIOR LINEAR LED LIGHTBAR

Date:
Type:
Project:
Firm:

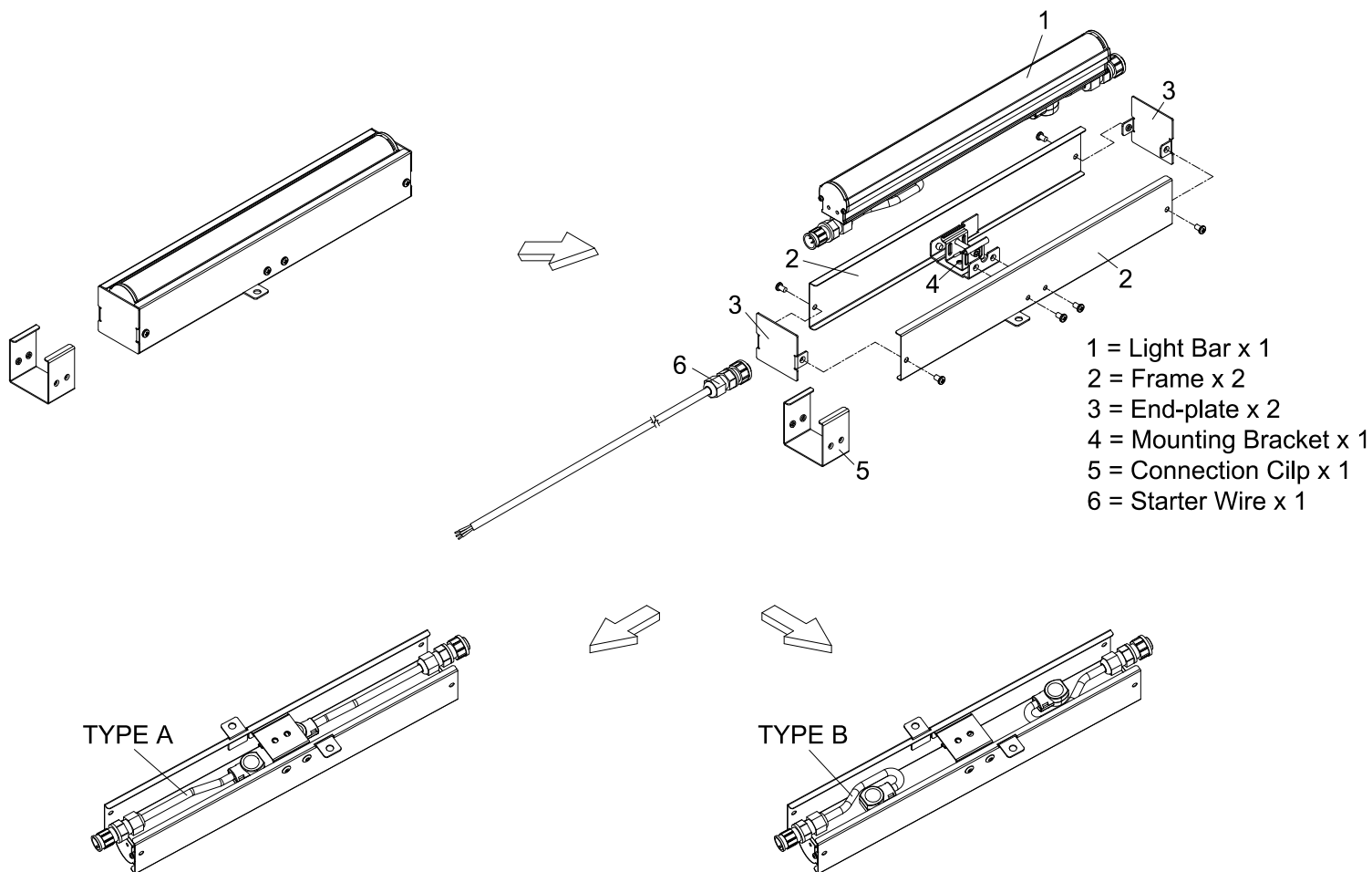
PROFILE



CEILING, CANOPY OR WALL MOUNTED



INSTALLATION



HB3014RH EXTERIOR LINEAR LED LIGHTBAR

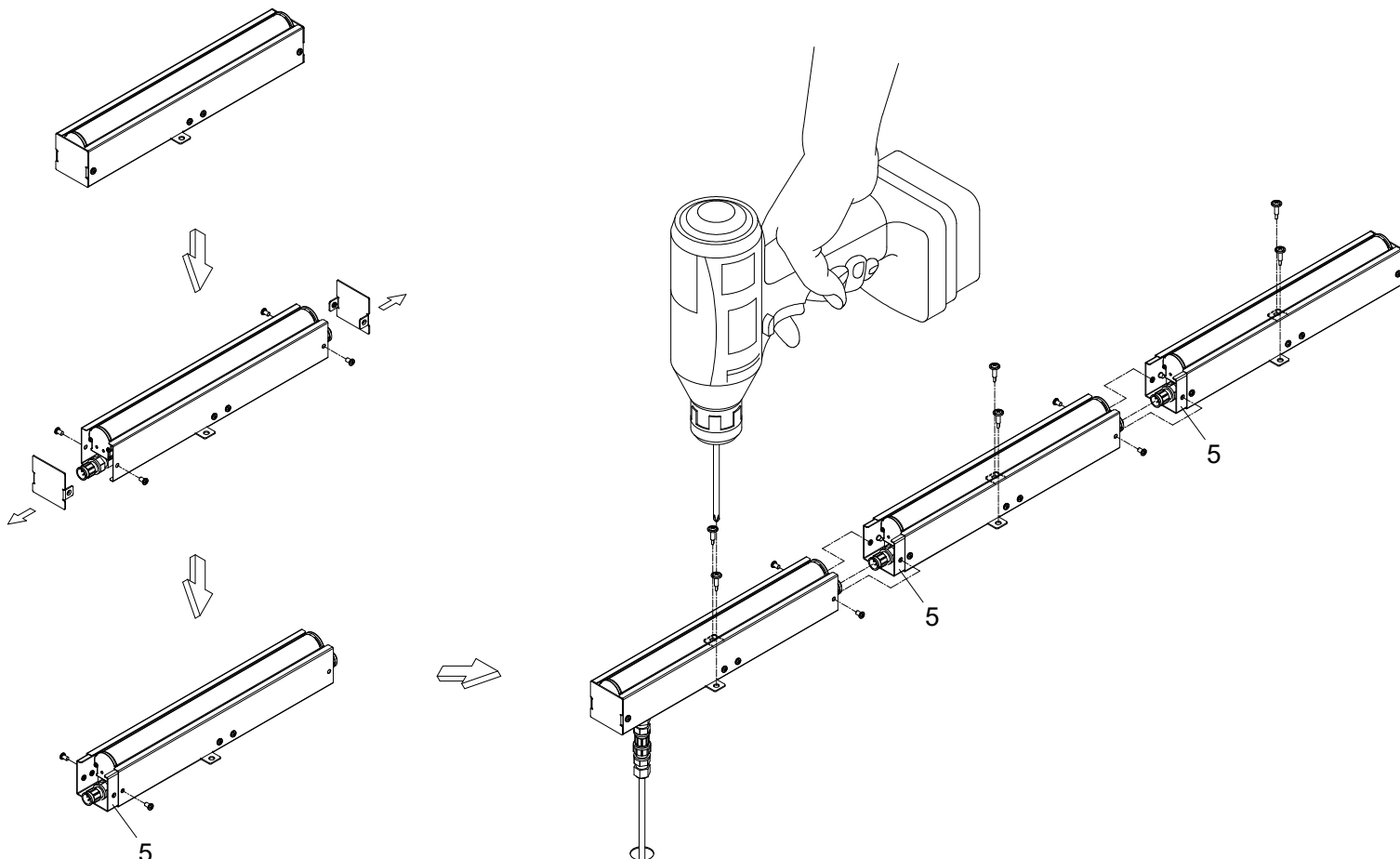
Date:

Type:

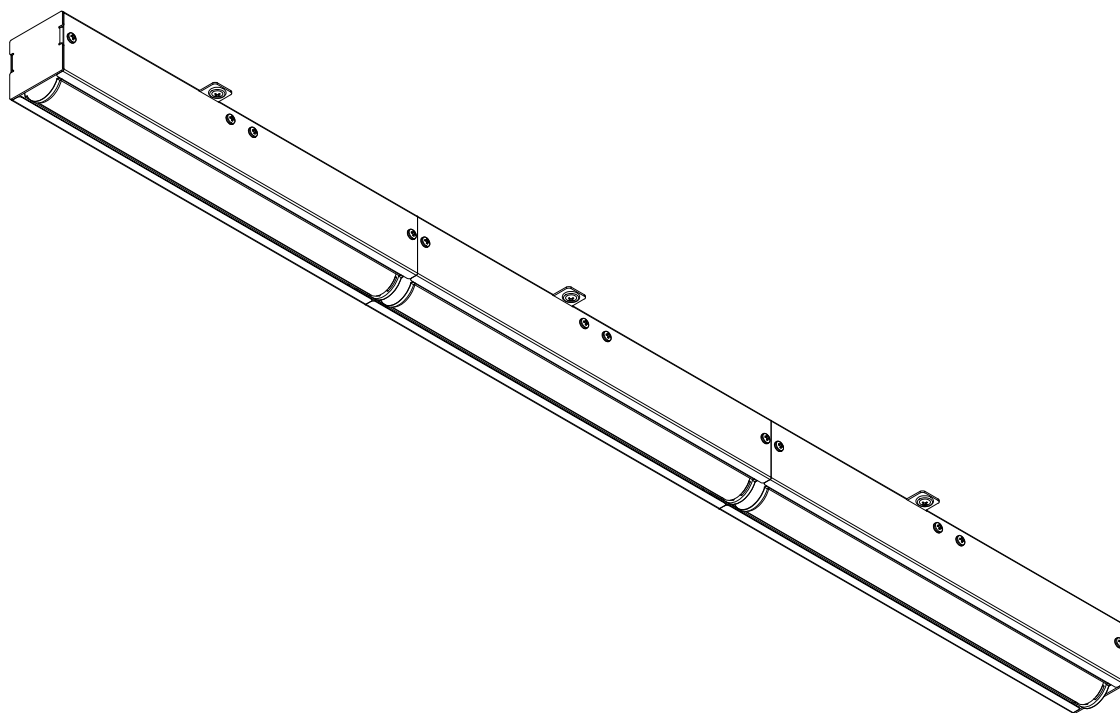
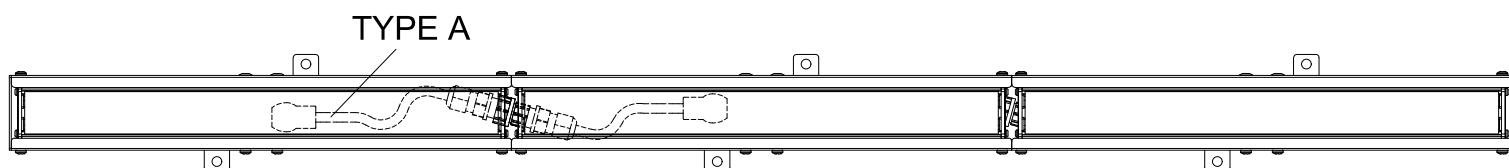
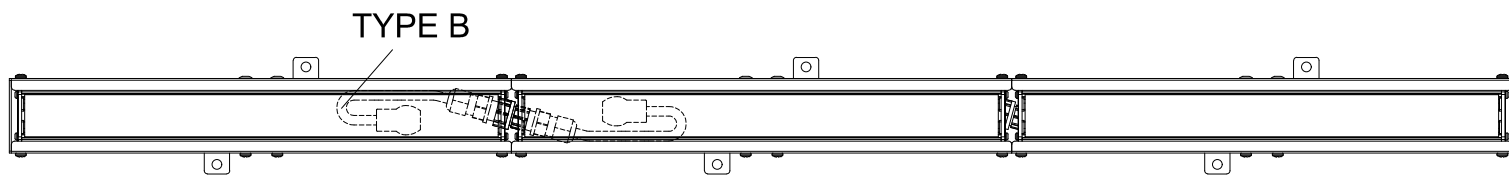
Project:

Firm:

INSTALLATION



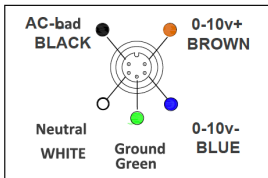
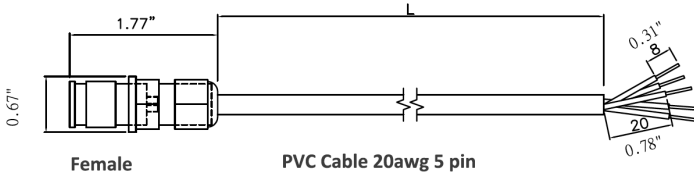
INSTALLATION



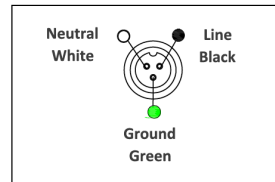
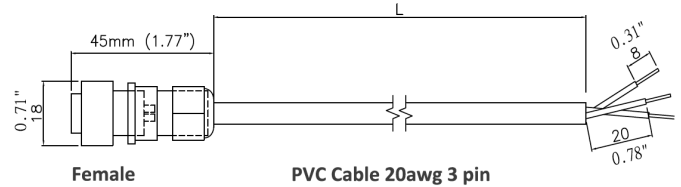
WIRING OPTIONS

WIRE LEAD

DESCRIPTION | **PART NUMBER**
 5 pin power / signal wire | AL-HB5P-xx"-W/L

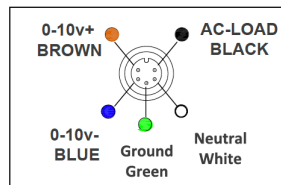
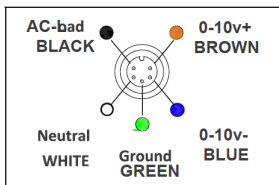
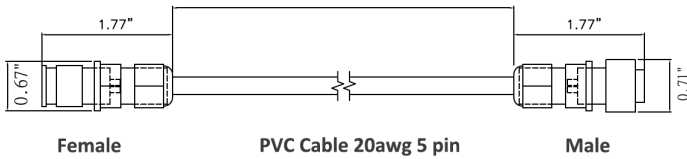


DESCRIPTION | **PART NUMBER**
 3 pin power wire | AL-HB3P-xx"-W/L

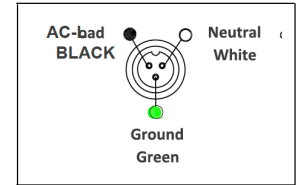
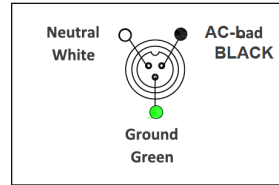
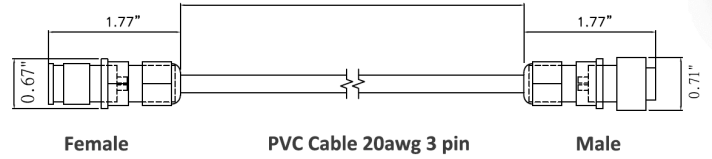


JUMPER CABLE

DESCRIPTION | **PART NUMBER**
 5 pin power / signal jumper | AL-HB5P-xx"-W/L



DESCRIPTION | **PART NUMBER**
 3 pin power jumper | AL-HB3P-xx"- J



SURGE PROTECTION DEVICE

Date:
 Type:
 Project:
 Firm:

SURGE PROTECTION

DESCRIPTION

Surge Protection Device

PART NUMBER

AL-LSP-UNV

The use of a surge protection device is necessary to maintain your warranty. Specifications are subject to change without notice.

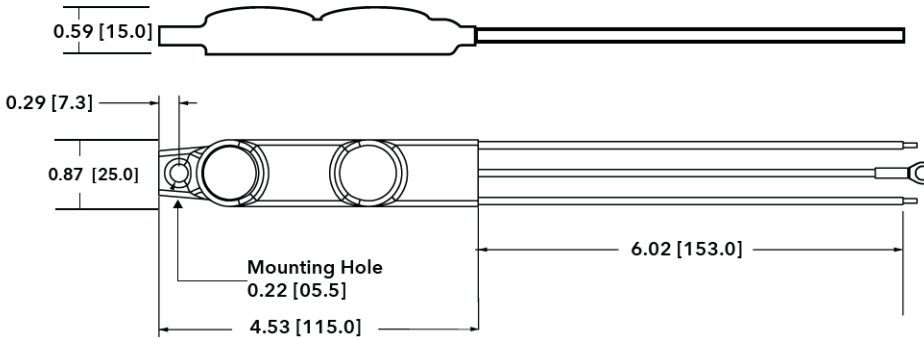
SPECIFICATIONS

| | | | |
|---------------------------------|--|------|------|
| Input Voltage | 120-277V (+/- 5%) | | |
| Frequency | 50Hz-60Hz | | |
| Maximum Continuous Voltage | 320V | | |
| Maximum Discharge Current | L-N 20kA; L-G, N-G 10kA (8/20Qs standard wave) | | |
| Nominal Discharge Current | 5kA | | |
| Measured Limiting Voltage (VpK) | L-N | L-G | N-G |
| | 1200 | 1320 | 1320 |
| Max Case Temperature | 85°C | | |

| PULSE RATING (8 X 20 SEC) | | |
|---------------------------|--------------|----------|
| Surge Level | # of Strikes | |
| | L-N | L-G, N-G |
| 10,000A | *2 | 1 |
| 6,500A | 4 | 2 |
| 5,000A | 30 | 15 |
| 2,000A | 200 | 100 |
| 700A | 20000 | 1000 |

*1 strike at 20,000A

MECHANICAL DIMENSIONS : IN (MM)



WIRING DIAGRAM

