



JB36

INTERIOR LINEAR LED LIGHTBAR

DIRECT VIEW | LOW PROFILE
5w/ft | 420lm/ft

**Shelving | Kick-toe | Under Cabinet | Accent |
Cove Lighting**



The Smart Lighting Company JB36 Series fixture redefines the integration of compact design and economical lighting. This quarter-round luminaire, offering 420lm/ft, is designed to deliver a fluid, high-intensity glow with superior uniformity, ideal for shelf, kick-toe, under cabinet, and cove lighting applications. Its magnetic connection system not only simplifies installation but also ensures a secure and clean aesthetic. As a cost-effective lighting solution, the JB36 eliminates pixelation and distributes light evenly, bathing counters and backsplashes in a bright, consistent light that eradicates shadows. Crafted with high-quality Nichia bin-sorted LEDs, the fixture provides an even, intense glow, enhancing any space with its subtle form factor. With 0-10v and ELV dimming compatibility, and powered by an external 24v universal power supply, the JB36 is both a practical and economical choice for precise linear illumination without compromising on quality or installation ease.



SPECIFICATIONS

PERFORMANCE

Output

5w/ft | 420lm/ft

Color Temperatures

27k, 30k, 35k, 41k, 50k, 65k

Beam Angles

120°

LEDs per Foot

36

LED's

Nichia bin-sorted

Color Consistency

2 SCDM

CRI

85 standard, 95 optional

ELECTRICAL

Input Voltage

24vdc

Power Supply

External remote

Control

0-10v dimming

Connection

Quick connect plug and play system

Projected Lumen Maintenance

>90,000 hours

PHYSICAL

Fixture Length Options

5", 7", 12", 17", 19", 24", 36", 48"

Max Run Length

96w, 21ft. (85% preferred, 90% max)

Housing

Quarter round aluminum

Lens

Polycarbonate diffused

Standard Mounting

Flat clips

Operating Temperature

-40°F to 122°F, (-40°C to 50°C)

ENVIRONMENT AND WARRANTY

IP Rating

IP20

Environment

Dry locations

Certifications

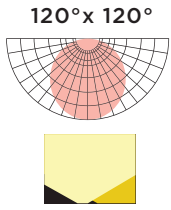
UL, cUL

Warranty

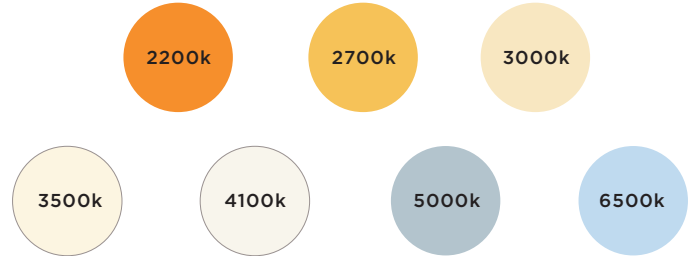
5 year limited warranty

SPECIFICATIONS

OPTICS



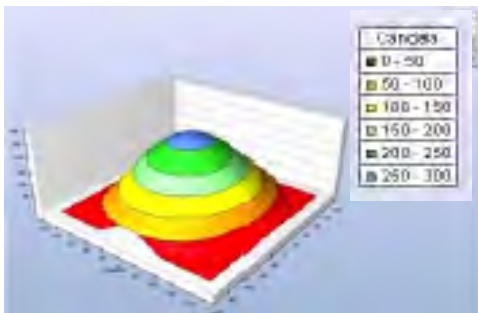
COLOR TEMPERATURES



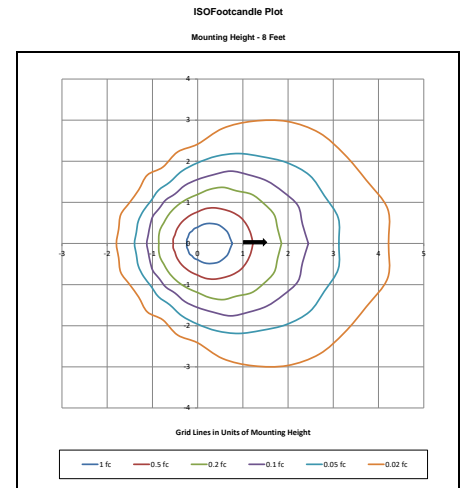
DIMENSIONS AND DATA

	Voltage	View Angle	Watts/ Fixture	Lumens/ Fixture	LEDs/ Foot	Lumens/ Watt	Watts/foot
JB36-5"-XXK-120D-24V	24VDC	120°	2.08w	175	36	76lm/w	5w/ft
JB36-7"-XXK-120D-24V			2.91w	245			
JB36-12"-XXK-120D-24V			5w	420			
JB36-17"-XXK-120D-24V			7.08w	595			
JB36-19"-XXK-120D-24V			7.91w	665			
JB36-24"-XXK-120D-24V			10w	840			
JB36-36"-XXK-120D-24V			15w	1260			
JB36-48"-XXK-120D-24V			20w	1680			

PROFILE



Mounting Height (Feet)	Footcandles at Nadir	
	Footcandles at Nadir	Diameter (Feet)
4.00	5.64	5.23
6.00	2.50	7.85
8.00	1.41	10.5
10.0	0.902	13.1
12.0	0.626	15.7
14.0	0.460	18.3
16.0	0.352	20.9



ORDER FORM

CREATE YOUR FIXTURE

Ex. JB36-48-35-120-24V

MODEL	LENGTH	COLOR	OPTICS	VOLTAGE	
JB36	5" 7" 12" 17" 19" 24" 36" 48"	5 inches 7 inches 12 inches 17 inches 19 inches 24 inches 36 inches 48 inches	27k 30k 35k 41k 50k 65k	120	24v
				120°x120°	24vdc

SELECT CONNECTION



Wire Lead

QTY	JB36-72"-W/L	72" (6ft) Wire lead magnetic
	JB36-xx"-W/L	xx" (CU) Wire lead magnetic

* 1 wire lead required for each run.

ADDITIONAL OPTIONS

Surge Protection

QTY	LSP4-UNV	120/277v surge protector
-----	----------	--------------------------

End Cap

QTY	JB36-ENDCAP
-----	-------------

* 1 End cap required at the end of each



Jumper Cable

QTY	DIMMING	
	JB36-6"-J	6" jumper /magnetic connection
	JB36-12"-J	12" jumper w/magnetic connection
	JB36-xx"-J	xx"J (CU) jumper w/magnetic connection

* Fixtures are end to end connected. Use jumpers if space is needed between fixtures.

SELECT MOUNTING



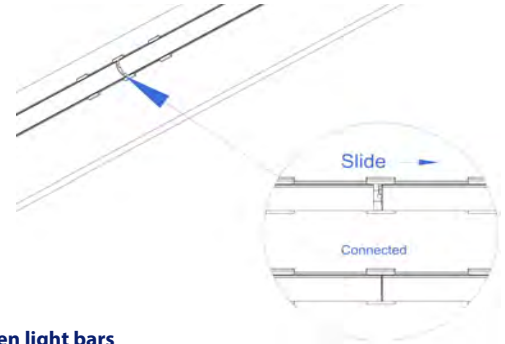
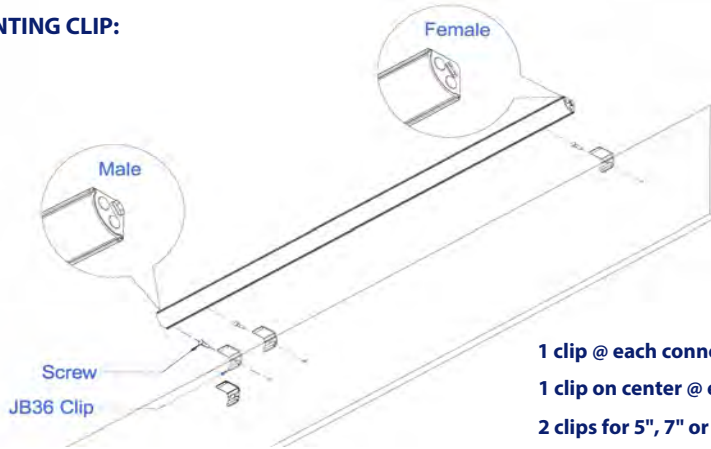
QTY	MOUNTING BRACKETS - MIN. 2 PER FIXTURE
	JB36-DOUBLE JOIN CLIP
	Mounting clip

SELECT POWER SUPPLIES

QTY	CONSTANT VOLTAGE - BASED ON RUN LENGTHS	
	PS-TSLC-UNV-24V-96WDHV2	24v 96w power supply, 0-10v, ELV, TRIAC dimming, wet location
	PS-TSLC-UNV-24V-60WDHV2	24v 60w power supply, 0-10v, ELV, TRIAC dimming, wet location
	PS-TSLC-UNV-24V-30WDHV2	24v 30w power supply, 0-10v, ELV, TRIAC dimming, wet location
	PS-TSLC-UNV-24V-288WDHV2	24v 288w (96wx3)power supply, 0-10v, ELV, TRIAC dimming, wet location

LAYOUT

MOUNTING CLIP:



- 1 clip @ each connection between light bars
- 1 clip on center @ every 18" on light bars > 12"
- 2 clips for 5", 7" or 12" light bars

ORDERING CRITERIA

DIMMING PACKAGE :

- POWER SUPPLY - 1 run per Wattage Specification of Light Bar
- 1 run - 72" Standard Wire Lead
- 1 run - End Cap
- * Jumper Cable (6" or 12") required when light bars are installed with space required between lightbars

CALCULATING BOM FOR R.F.Q.

TYPE OF APPLICATION: _____

TOTAL LENGTH (FEET, INCHES): _____

TOTAL OF RUNS #: _____

LENGTHS ON EACH RUN

#1: _____ #2: _____ (List all runs individually)

#3: _____ #4: _____

#5: _____ #6: _____

(Add up all the lengths on all Runs to ensure the total matches TOTAL Length)

A) For Each Run, use # length to determine # of Bars needed (Example: 6' 5" length = 77" total; Number of Bars = Qty 2 @ 36" and Qty 1 @ 5")

Length: _____ = Qty _____ @ _____" Bars (or Multiple combinations of)

B) Then determine quantity of bars per Power Supply using the data from Electrical Specification

(Example: Qty 2 @ 36" = (2 x 15W) = 30W and Qty 1 @ 5" = 2.1W; therefore 30W + 2.1W = 30.1W)

Qty _____ x _____ W/ Bars + Qty _____ x _____ W/Bars (or Multiple combinations of) = Total of _____ Watt

(Determine number of Power Supplies needed per Total Wattage calculated. *Note: Wattage to not exceed 85% load of Power Supply selected*)

C) Once # of Power Supplies is determined, use the Accessories Ordering Criteria above on this page to determine accessories part needed. If dimming is not required, eliminate Slide Dimmer.

Qty _____ Power Supply = Qty of P/S (selected by wattage needed)

Qty _____ 72" Standard Wire Lead

Qty _____ End Cap

D) Determine number of mounting clips required by using the Mounting Specification on top of this page:

Qty _____ Bar = Qty _____ Clips (Example: Qty 2 @ 36" = 2 x 3 clips = 6 clips; plus Qty 1 @ 5" = 2 clips: 6 clips + 2 clips = 8 clips total)